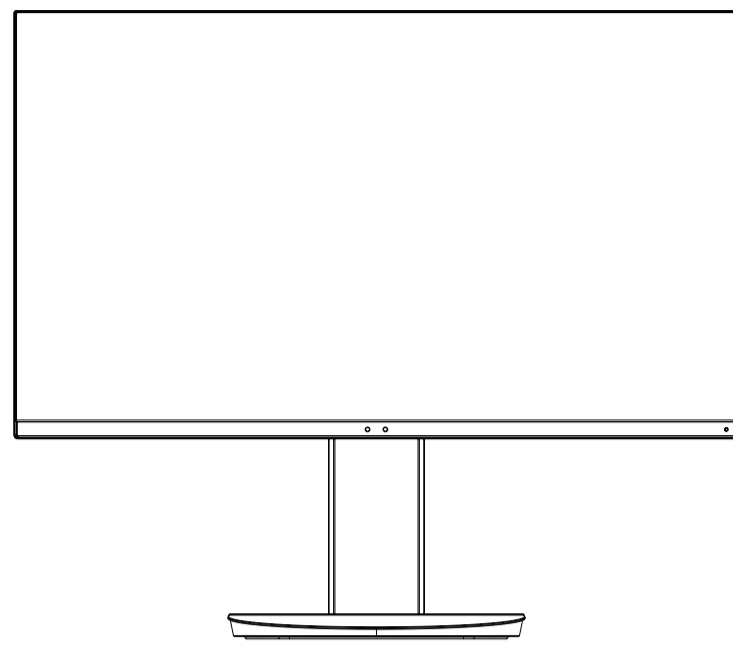


Optimal Performance/Performances optimales/Rendimiento óptimo

1920 x 1200 @ 60Hz



Setup Manual

Manuel d'installation

Manual de configuración

Contents

- MultiSync LCD monitor with stand
- Power Cord
- Video Signal Cable (DisplayPort cable)
- USB-C Cable
- Base Stand
- Cable Holder

Sommaire

- Moniteur MultiSync LCD avec support
- Cordon d'alimentation
- Câble de signal vidéo (Câble DisplayPort)
- Câble USB-C
- Support de socle
- Pasacables

Contenido

- Monitor LCD MultiSync con soporte
- Cable de alimentación
- Cable de señal de video (Cable DisplayPort)
- Cable USB-C
- Base
- Support de câble

Remember to save your original box and packing material to transport or ship the monitor.
Type and number of power cords included will depend on the country where the LCD monitor is to be shipped.
Make sure all contents are in the box before starting monitor assembly.

N'oubliez pas de conserver la boîte et le matériel d'emballage d'origine pour le cas où vous seriez amené à transporter ou expédier le moniteur.
Le type et le nombre de cordons d'alimentation inclus seront fonction du lieu de destination du moniteur LCD.
Assurez-vous que la boîte contient tous les éléments requis avant de commencer l'assemblage du moniteur.

Recuerde conservar la caja y el material de embalaje originales para poder transportar el monitor en el futuro.
El número y el tipo de cables de alimentación incluidos dependen del destino de entrega del monitor LCD.
Asegúrese de que todo el contenido está en la caja antes de proceder al montaje del monitor.

MODEL/MODELE/MODELO: EA242WU/EA242WU-BK

Cable information

CAUTION: Use the provided specified cables with this monitor so as not to interfere with radio and television reception.
For HDMI, DisplayPort, USB and USB-C*, please use a shielded signal cable. Use of other cables and adapters may cause interference with radio and television reception.

Informations relatives aux câbles

ATTENTION : utilisez les câbles fournis avec ce moniteur pour éviter tout problème en matière de réception (radio et télévision).
Avec les ports HDMI, DisplayPort, USB et USB-C*, utilisez un câble de signal blindé. L'utilisation d'autres types de câbles et d'adaptateurs peut provoquer des interférences avec la réception radio et télévision.

Información del cable

PRECAUCIÓN: Utilice los cables específicos que se suministran con este monitor para no provocar interferencias en la recepción de radio y televisión.
En el caso de HDMI, DisplayPort, USB y USB-C*, utilice un cable de señal apantallado. Si utiliza otros cables y adaptadores, puede causar interferencias en la recepción de radio y televisión.

Registration Information

NEC is a registered trademark of NEC Corporation.

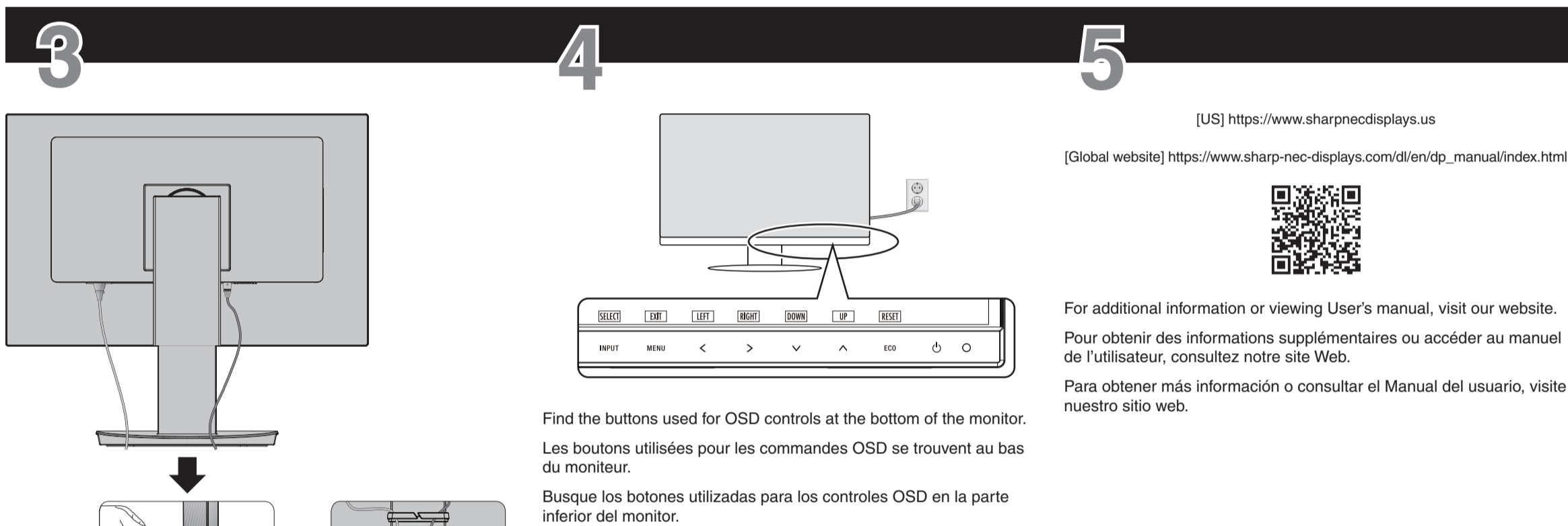
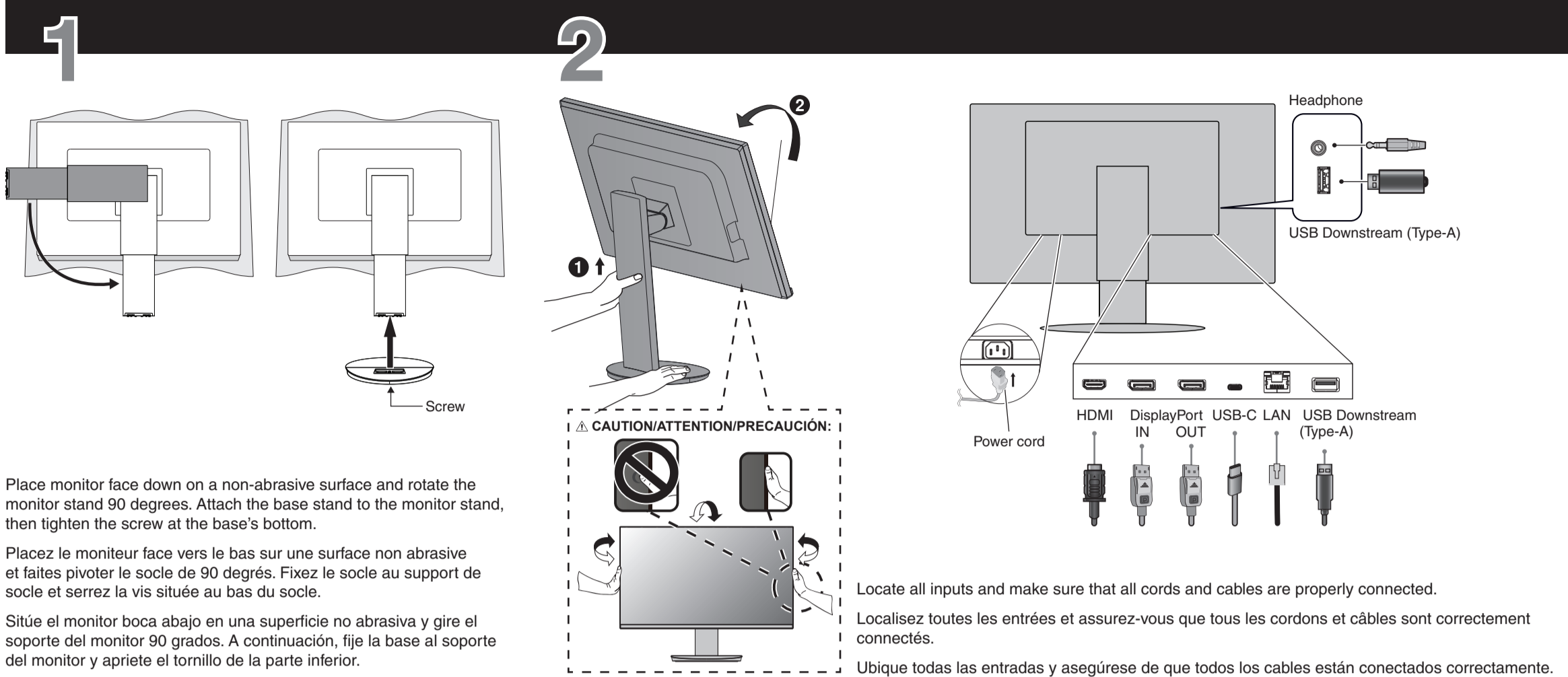
DisplayPort™ and the DisplayPort™ logo are trademarks owned by the Video Electronics Standards Association (VESA®) in the United States and other countries.

MultiSync® is a trademark or registered trademark of Sharp NEC Display Solutions, Ltd. in Japan and other countries.

The terms HDMI and HDMI High-Definition Multimedia Interface, and the HDMI Logo are trademarks or registered trademarks of HDMI Licensing Administrator, Inc. in the United States and other countries.

USB Type-C® and USB-C® are registered trademarks of USB Implementers Forum.

All other brands and product names are trademarks or registered trademarks of their respective owners.



Flexible Arm Installation

This monitor is designed for use with a flexible arm. Contact us for more information.

Follow the instructions provided by the manufacturer of the display mount. Remove the monitor stand before mounting.

⚠ WARNING: Please refer to "WARNING 8".

Remove the Monitor Stand for Mounting

NOTE: • Handle with care when removing the monitor stand.
• Please securely hold the monitor stand while removing the screws to prevent the monitor stand from falling.
• Use only VESA-compatible alternative mounting method.

Installation du bras flexible

Ce moniteur est conçu pour être utilisé avec un bras flexible. Contactez-nous pour obtenir des informations supplémentaires.

Suivez les instructions du fabricant pour le montage de l'écran. Retirez le socle du moniteur avant le montage.

⚠ AVERTISSEMENT : reportez-vous à «AVERTISSEMENT 8».

Démontage du support du moniteur pour le montage

REMARQUE : • Manipulez le produit avec soin lors du retrait du support du moniteur.
• Tenez fermement le support lors du retrait des vis pour éviter toute chute accidentelle.
• Utilisez uniquement une méthode de montage alternative compatible VESA.

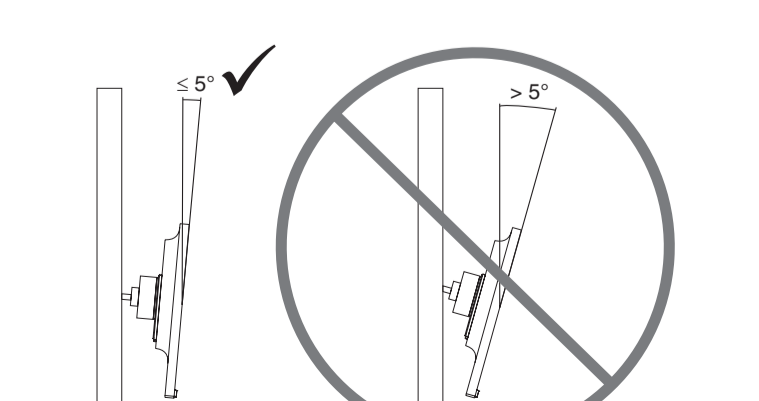
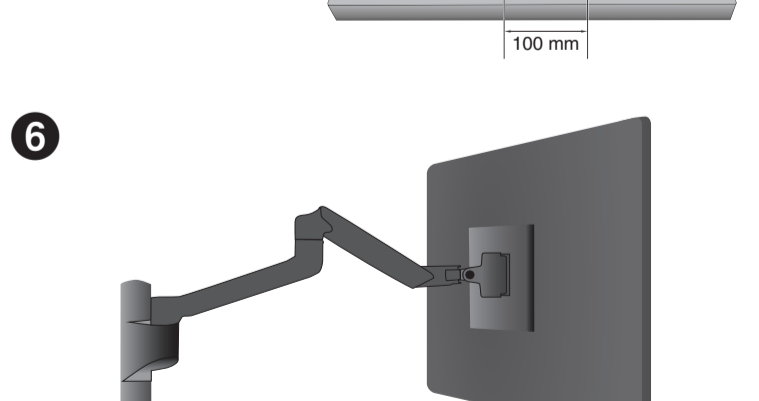
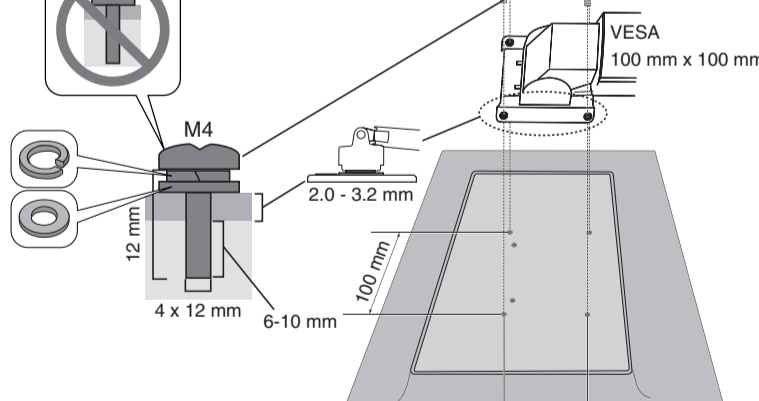
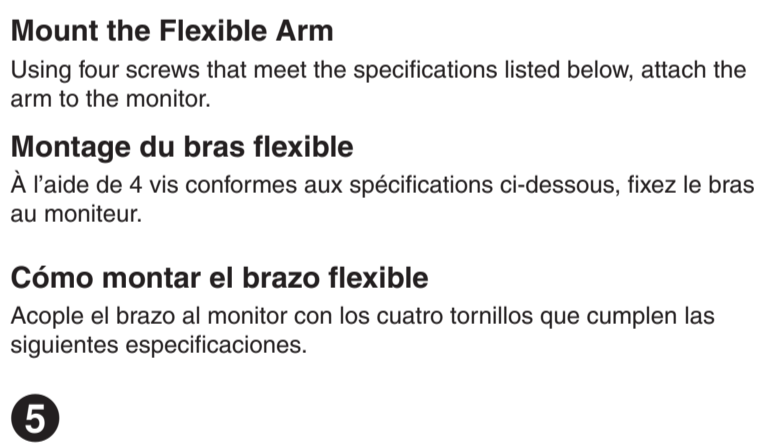
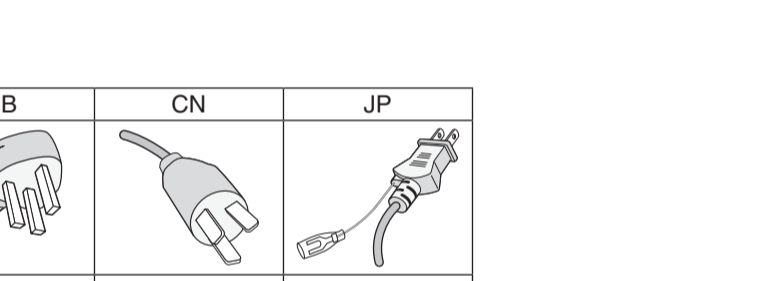
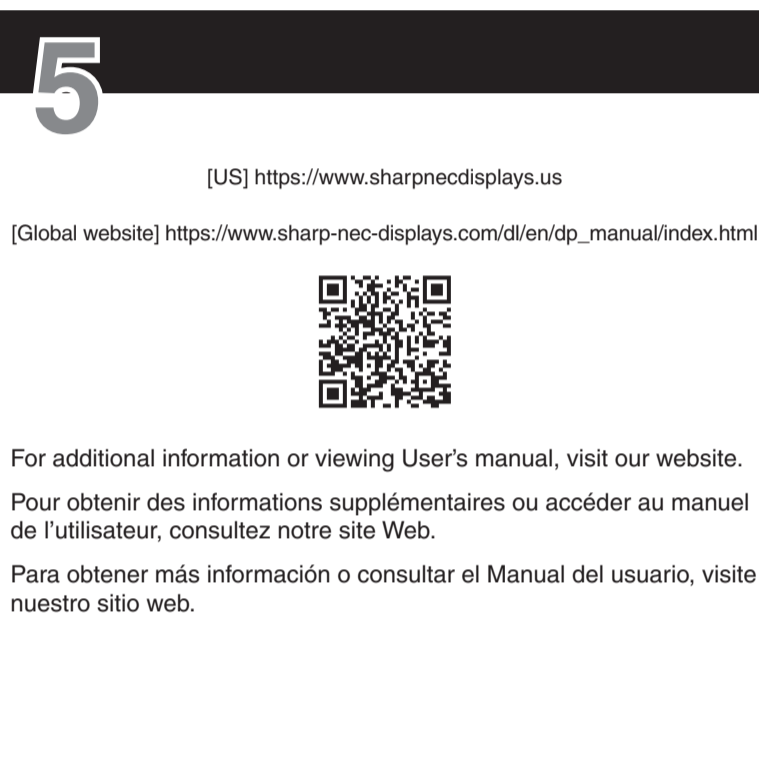
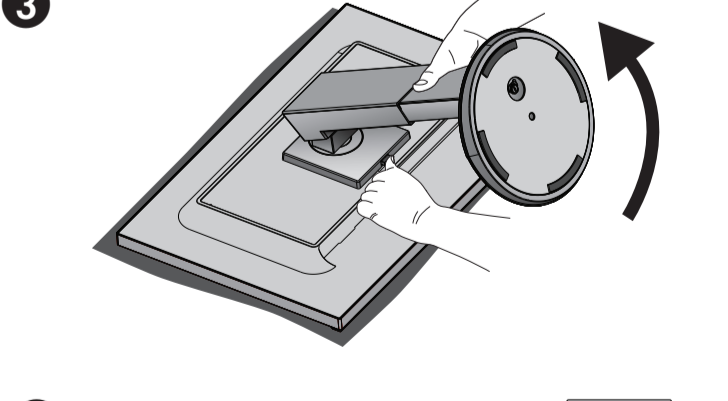
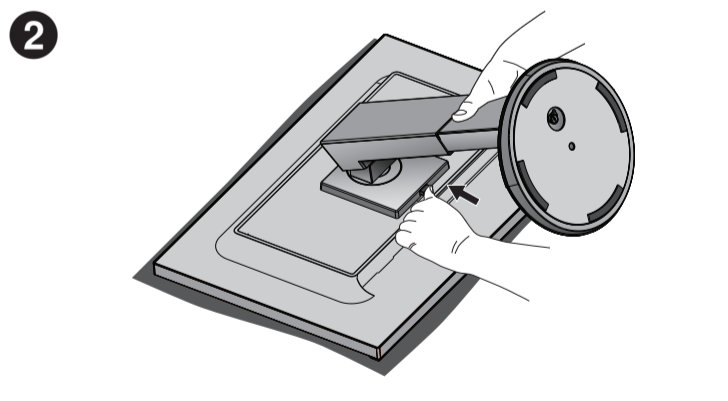
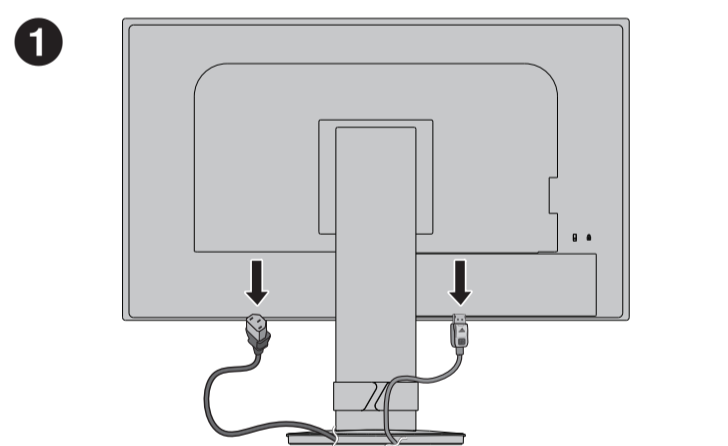
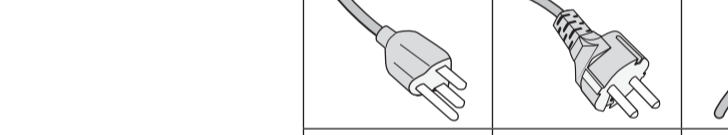
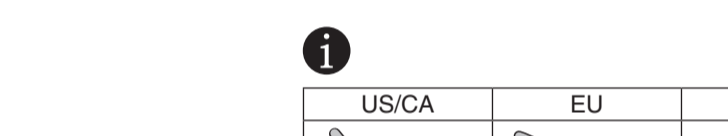
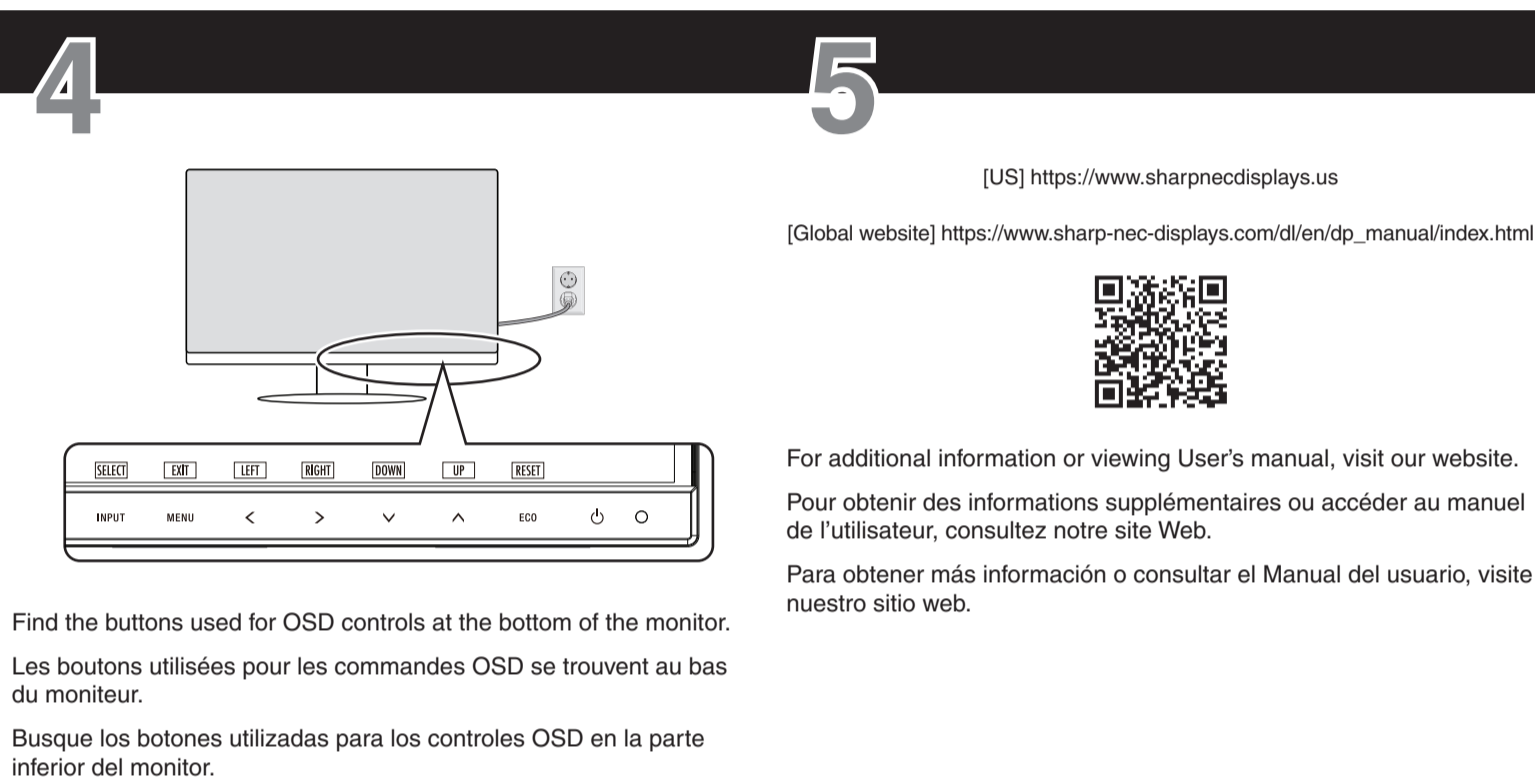
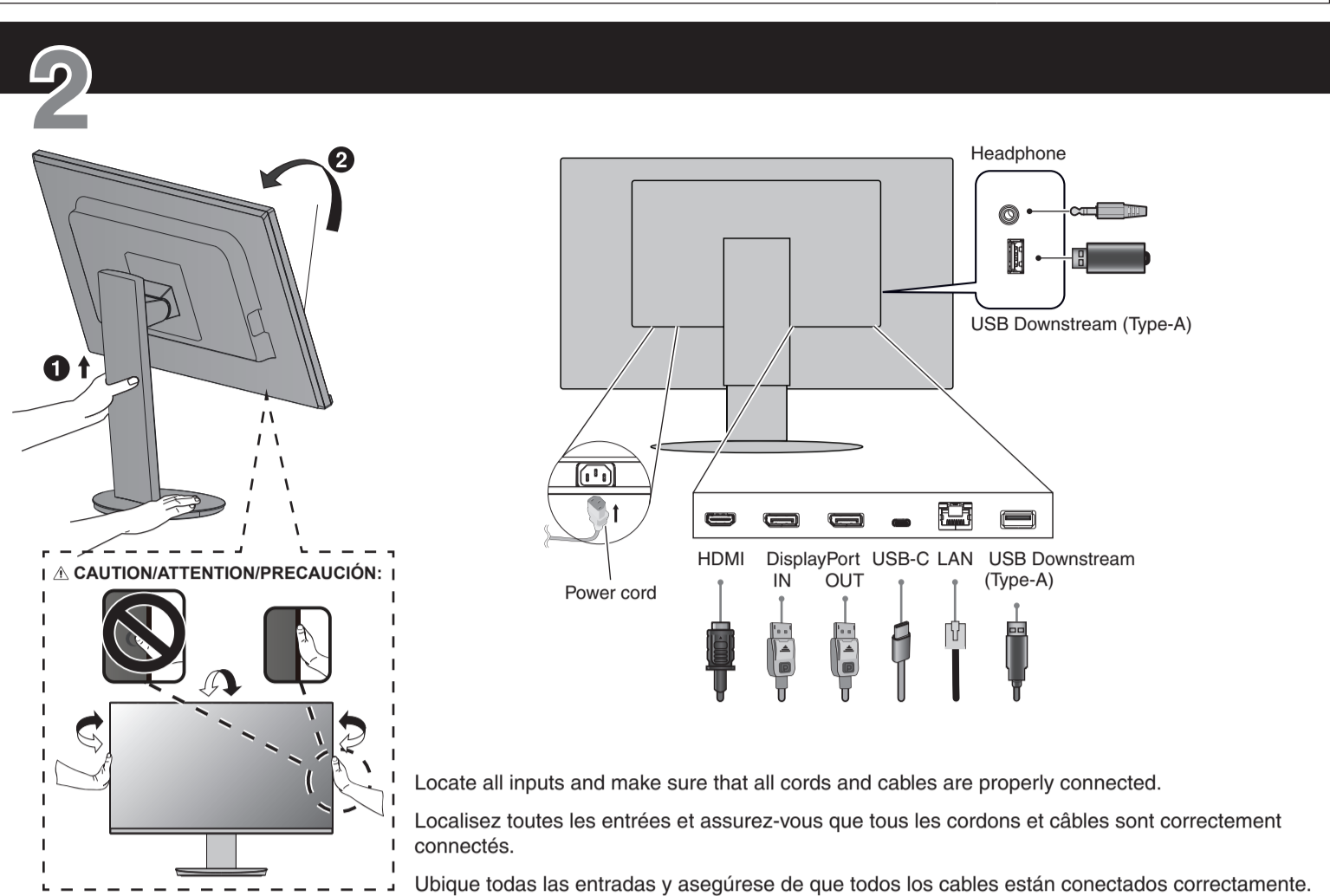
Cómo instalar el brazo flexible

Este monitor está diseñado para ser utilizado con un brazo flexible. Póngase en contacto con nosotros para obtener más información.
Siga las instrucciones facilitadas por el fabricante del montaje del monitor. Retire el soporte del monitor antes del montaje.

⚠ ADVERTENCIA: Vea "ADVERTENCIA 8".

Cómo retirar el soporte del monitor para el montaje

NOTA: • Retire el soporte del monitor con cuidado.
• Sujete con seguridad el soporte del monitor mientras retira los tornillos para evitar que dicho soporte se caiga.
• Utilice sólo métodos de montaje alternativos compatibles con VESA.



Important Information

Safety Precautions and Maintenance

FOR OPTIMUM PERFORMANCE, PLEASE NOTE THE FOLLOWING WHEN SETTING UP AND USING THE LCD COLOR MONITOR:

About the Symbols

To ensure safe and proper use of the product, this manual uses a number of symbols to prevent injury to you and others as well as damage to property. The symbols and their meanings are described below. Be sure to understand them thoroughly before reading this manual.

	WARNING Failing to heed this symbol and handling the product incorrectly could result in accidents leading to major injury or death.
	CAUTION Failing to heed this symbol and handling the product incorrectly could result in personal injury or damage to surrounding property.

Examples of symbols

	⚠ Indicates a warning or caution. This symbol indicates you should be careful of electric shocks.
	⊘ Indicates a prohibited action. This symbol indicates something that must be prohibited.
	● Indicates a mandatory action. This symbol indicates that the power cord should be unplugged from the power outlet.

1	 UNPLUG THE POWER CORD Unplug the power cord if the product malfunctions. Should the product emit smoke or strange odors or sounds, or if the product has been dropped or the cabinet broken, turn off the product's power, then unplug the power cord from the power outlet. Contact your dealer for repairs. Never try to repair the product on your own. Doing so is dangerous.
2	 HAZARDOUS VOLTAGE Do not open or remove the product's cabinet. Do not disassemble the product. There are high voltage areas in the product. Opening or removing product covers and modifying the product may expose you to electric shock, fire, or other risks. Refer all servicing to qualified service personnel.
3	 DO NOT DISASSEMBLE PROHIBITED Do not use the product if it has structural damage or if its stand has cracked or peeled. If you notice any structural damage such as cracks or unnatural wobbling, please refer servicing to qualified service personnel. If the product is used in this condition, the product may fall or cause personal injury.
4	 PROHIBITED Handle the power cord with care. Damaging the cord could lead to fire or electric shock. • Do not place heavy objects on the cord. • Do not place the cord under the product. • Do not cover the cord with a rug, etc. • Do not scratch or modify the cord. • Do not bend, twist or pull the cord with excessive force. • Do not apply heat to the cord. If the cord gets damaged (exposed core wires, broken wires, etc.), turn off the product's power, then unplug the power cord from the power outlet. Ask your dealer to replace it. Do not touch the power plug if you hear thunder. Doing so could result in electric shock.
5	 PROHIBITED Please use the power cord provided with this product in accordance with the power cord table. If a power cord is not supplied with this product, please contact us. For all other cases, please use the power cord with the plug style that matches the power socket where the product is located. The compatible power cord corresponds to the AC voltage of the power outlet and has been approved by, and complies with, the safety standards in the country of purchase. Please install the product in accordance with the following information. When transporting, moving, or installing the product, please use as many people as necessary to be able to lift the product without causing personal injury or damage to the product. Please refer to the instructions included with the optional mounting equipment for detailed information about attaching or removing. Do not cover the vent on the product. Improper installation of the product may result in damage to the product, an electric shock or fire. Do not install the product in the locations below: • Poorly ventilated spaces. • Near a radiator, other heat sources, or in direct sunshine. • Continual vibration areas. • Humid, dusty, steamy, or oily areas. • Outdoors. • High-temperature environment where humidity changes rapidly and condensation is likely to occur. Do not mount the product in any configuration or position not described in the user's manual. Please check the Specifications for the available Tilt range when installing the product.
6	 REQUIRED Please use the power cord provided with this product in accordance with the power cord table. If a power cord is not supplied with this product, please contact us. For all other cases, please use the power cord with the plug style that matches the power socket where the product is located. The compatible power cord corresponds to the AC voltage of the power outlet and has been approved by, and complies with, the safety standards in the country of purchase. Please install the product in accordance with the following information. When transporting, moving, or installing the product, please use as many people as necessary to be able to lift the product without causing personal injury or damage to the product. Please refer to the instructions included with the optional mounting equipment for detailed information about attaching or removing. Do not cover the vent on the product. Improper installation of the product may result in damage to the product, an electric shock or fire. Do not install the product in the locations below: • Poorly ventilated spaces. • Near a radiator, other heat sources, or in direct sunshine. • Continual vibration areas. • Humid, dusty, steamy, or oily areas. • Outdoors. • High-temperature environment where humidity changes rapidly and condensation is likely to occur. Do not mount the product in any configuration or position not described in the user's manual. Please check the Specifications for the available Tilt range when installing the product.
7	 REQUIRED Please use the power cord provided with this product in accordance with the power cord table. If a power cord is not supplied with this product, please contact us. For all other cases, please use the power cord with the plug style that matches the power socket where the product is located. The compatible power cord corresponds to the AC voltage of the power outlet and has been approved by, and complies with, the safety standards in the country of purchase. Please install the product in accordance with the following information. When transporting, moving, or installing the product, please use as many people as necessary to be able to lift the product without causing personal injury or damage to the product. Please refer to the instructions included with the optional mounting equipment for detailed information about attaching or removing. Do not cover the vent on the product. Improper installation of the product may result in damage to the product, an electric shock or fire. Do not install the product in the locations below: • Poorly ventilated spaces. • Near a radiator, other heat sources, or in direct sunshine. • Continual vibration areas. • Humid, dusty, steamy, or oily areas. • Outdoors. • High-temperature environment where humidity changes rapidly and condensation is likely to occur. Do not mount the product in any configuration or position not described in the user's manual. Please check the Specifications for the available Tilt range when installing the product.
8	 PROHIBITED Prevent tipping and falling for earthquakes or other shocks. To prevent personal injury or damage to the product caused by tipping over due to earthquakes or other shocks, make sure to install the product in a stable location and take measures to prevent falling. • The product must be mounted to an approved flexible arm (e.g. TUEV GS mark) or stand that supports the weight of the product to prevent damage and personal injury that could result from the product tipping over or falling. • Only use the screws that were removed from the product's stand or the specified screws to avoid damage to the product or the stand. • Please tighten all screws (Recommended Fasten Force: 98 - 137 N*cm) when installing the product to a flexible arm or stand. A loose screw may cause the product to fall, causing damage to the product or personal injury. • Attaching the flexible arm should be performed by two or more people if the product cannot be placed face-down on a flat surface for installation. Stability Hazard. The product may fall, causing serious personal injury or death. To prevent injury, this product must be securely attached to the floor/wall in accordance with the installation instructions. Many injuries, particularly to children, can be avoided by taking simple precautions such as: • ALWAYS use stands or installation methods recommended by the manufacturer of the product set. • ALWAYS use furniture that can safely support the product. • ALWAYS ensure the product is not overhanging the edge of the supporting furniture. • ALWAYS educate children about the dangers of climbing on furniture to reach the product or its controls. • ALWAYS route cords and cables connected to your product so they cannot be tripped over, pulled or grabbed. • NEVER place a product in an unstable location. • NEVER place the product on tall furniture (for example, cupboards or bookcases) without anchoring both the furniture and the product to a suitable support. • NEVER place the product on cloth or other materials that may be located between the product and supporting furniture. • NEVER place items that might tempt children to climb, such as toys and remote controls, on the top of the product or furniture on which the product is placed. • ALWAYS use wall mounting accessories when installing the product at a high location. NEVER place the product on a monitor stand when installing the product at a high location. If the existing product is going to be retained and relocated, the same considerations as above should be applied.
9	 PROHIBITED Do not place this product on a sloping or unstable cart, stand or table. Doing so could lead to falling or tipping and cause personal injury.
10	 PROHIBITED Do not insert objects of any kind into the cabinet slots. It may cause electric shock, fire, or product failure. Keep objects away from children and babies. If objects get into the cabinet slot, turn off the product's power, then unplug the power cord from the power outlet. Contact your dealer for repairs.
11	 DO NOT WET Do not spill any liquids into the cabinet or use your product near water. Immediately turn off the power and unplug your product from the wall outlet, then refer servicing to qualified service personnel. It may cause an electric shock or start a fire.
12	 PROHIBITED Do not use flammable gas sprays to remove dust when cleaning the product. Doing so could lead to a fire.
13	 PROHIBITED Usage of the product must not be accompanied by fatal risks or dangers that, could lead directly to death, personal injury, severe physical damage or other loss, including nuclear reaction control in nuclear facility, medical life support system, and missile launch control in a weapon system.

1	 REQUIRED Handling the power cord. Handle the power cord with care. Damaging the cord could lead to fire or electric shock. • When connecting the power cord to the product's AC IN terminal, make sure the connector is fully and firmly inserted. • Make sure the power cord cannot be easily disconnected. • Do not connect or disconnect the power cord with wet hands. • When connecting or disconnecting the power cord, pull the power cord out by holding onto its plug. • When cleaning the product, for safety purposes, unplug the power cord from the power outlet beforehand. Regularly dust off the power cord by using a soft dry cloth. • Before moving the product, make sure the monitor power is off, then unplug the power cord from the power outlet and check that all cables connecting the product to other devices are disconnected. • When you are not planning to use the product for an extended period of time, always unplug the power cord from the power outlet. • This equipment is designed to be used in the condition of the power cord connected to the earth. If the power cord is not connected to the earth, it may cause electric shock. Please make sure the power cord is earthed properly.
2	 REQUIRED Please confirm the distribution system in building installation shall provide the circuit breaker rated 120/240 V, 20 A (maximum).
3	 PROHIBITED Do not bind the power cord and the USB cable. It may trap heat and cause a fire.
4	 PROHIBITED Do not connect to a LAN with excessive voltage. When using a LAN cable, do not connect to a peripheral device with wiring that might have excessive voltage. Excessive voltage on the LAN port may cause an electric shock.
5	 PROHIBITED Do not climb on the table where the product is installed. Do not install the product on a wheeled table if the wheels on the table have not been properly locked. The monitor may fall, causing damage to the product or personal injury.
6	 REQUIRED Installation, removal, and adjustment of the stand. • Handle with care when pulling the stand as it might pinch your fingers. • Please securely hold the monitor stand while removing the screws to prevent the monitor stand from falling. It may cause personal injury. • Before rotating the screen, disconnect the power cord and all cables from the product. Otherwise, the power cord or cables might pull with excessive force and cause personal injury or damage to the product. • When rotating the screen, slide it to the highest level and set it to the maximum tilt. Otherwise, it could cause personal injury or knock the screen on the desk.
7	 PROHIBITED Do not tilt the monitor downward beyond 5 degrees. Doing so can cause the LCD panel to separate and potentially fall out causing damage to the product or personal injury.
8	 PROHIBITED Do not push the product. The product may fall, causing damage to the product or personal injury.
9	 PROHIBITED Do not impact the LCD panel surface, it can cause serious damage to the product or personal injury.
10	 REQUIRED Suitable for entertainment purposes at controlled luminous environments, to avoid disturbing reflections from the screen.
11	 PROHIBITED Do not connect headphones to the product while you are wearing them. Depending on the volume level, it may damage your ears and cause loss of hearing.
12	 PROHIBITED Do not play with the plastic bag which covers the product. Do not use this bag for any other purpose. To avoid the danger of suffocation, do not place this bag over your head, nose or mouth. Do not place this bag over another person's head, nose or mouth. Keep this bag away from children and babies.
13	 REQUIRED To ensure the product's reliability, please clean the ventilation holes at the rear side of the cabinet at least once a year to remove dirt and dust. Failure to do so could lead to electric shock or damage to the product.
14	 REQUIRED Avoid locations with extreme temperatures and humidity. Failure to do so could lead to fire or electric shock or damage to the product. The usage environment for this product is as follows: • The operating temperature: 5 °C to 35 °C/41 °F to 95 °F/ humidity: 20 to 80% (without condensation) • The storage temperature: -10 °C to 60 °C/14 °F to 140 °F/ humidity: 10 to 85% (without condensation)

Troubleshooting

No picture

- Make sure the signal cable is fully connected to the monitor and the computer.
- Make sure the computer's display card is fully seated in its slot.
- Make sure there is no DisplayPort converter adapter connected. The monitor does not support DisplayPort converter adapter.
- Make sure both the computer and monitor are powered on.
- The monitor may be in power saving mode. The monitor automatically goes into standby at the preset time period after the video signal is lost.
- If the current input terminal connection has no active input signal, touch the INPUT/SELECT key to switch inputs.
- If the OSD menu setting [VIDEO DETECT] is set to [NONE], change the setting to [FIRST].
- Make sure that a supported resolution has been selected on the display card or system being used. If in doubt, please refer to the user's manual of the display controller or system to change the resolution.
- Check the monitor and your display card with respect to compatibility and recommended signal timings.
- Check the signal cable connector for bent or pushed-in pins.
- Make sure the connected device outputs a signal to the monitor.
- If the front LED is dark blue, check the status of the [OFF MODE SETTING] mode or [HUMAN SENSING].
- When using a USB-C cable for connecting a computer to the monitor, please check that the connected computer's port complies with DisplayPort Alt Mode.
- When using a USB-C cable for connecting a computer to the monitor, check that the USB-C cable complies with SuperSpeed USB.

Informations importantes

Consignes de sécurité et d'entretien
POUR UN FONCTIONNEMENT OPTIMAL, VEUILLEZ NOTER CE QUI SUIT POUR L'INSTALLATION ET L'UTILISATION DU MONITEUR COULEUR LCD :

À propos des symboles
Ce manuel contient divers symboles visant à empêcher les blessures ou dommages. Leur définition est spécifiée ci-dessous. Assurez-vous d'en prendre connaissance avant de lire le manuel.

Table with 2 columns: Symbol and Description. Includes Avertissement (Warning), Attention, and a note about symbol usage.

Table with 2 columns: Symbol and Description. Examples of symbols including 'Indique qu'un danger existe' and 'Indique qu'une action est interdite'.

Main table of instructions. Rows include: 1. Débranchez le cordon d'alimentation... 2. Ne retirez ni n'ouvrez pas le boîtier... 3. N'utilisez pas le produit s'il présente des dommages structurels... 4. Manipulez le cordon d'alimentation avec précaution... 5. Ne touchez pas la prise si vous entendez du tonnerre... 6. Utilisez le cordon d'alimentation fourni... 7. Suivez les consignes ci-dessous lors de l'installation... 8. Évitez les chutes... 9. Ne placez pas le produit sur une surface inclinée... 10. N'insérez aucun objet dans les fentes du boîtier... 11. Ne renversez pas de liquides dans le boîtier... 12. N'utilisez pas de spray inflammable... 13. L'utilisation de ce produit ne doit pas s'accompagner de dangers ou risques mortels...

Table with 3 columns: Row Number, Symbol, and Description. Includes 'ATTENTION' at the top. Rows include: 1. Manipulation du cordon d'alimentation... 2. Confirmez que le système de distribution du bâtiment fournit un disjoncteur... 3. Ne reliez pas le cordon d'alimentation au câble USB... 4. N'établissez pas de connexion à un réseau LAN avec une tension excessive... 5. Ne grimpez pas sur le meuble... 6. Installation, retrait et ajustement du support... 7. N'inclinez pas le moniteur à plus de 5 degrés... 8. Ne poussez pas le produit... 9. Évitez tout impact sur l'écran LCD... 10. Employez cet équipement dans des environnements où la lumière peut être contrôlée... 11. Ne connectez pas d'écouteurs... 12. Le sac en plastique recouvrant le produit n'est pas un jouet... 13. Afin de garantir le bon fonctionnement du produit, nettoyez les orifices situés à l'arrière... 14. Évitez les lieux présentant des températures ou un niveau d'humidité extrêmes...

Résolution des problèmes

- Aucune image ne s'affiche**
- Assurez-vous que le câble de signal est correctement connecté au moniteur et à l'ordinateur.
- Assurez-vous que la carte d'affichage de l'ordinateur est correctement installée.
- Assurez-vous qu'aucun adaptateur de conversion DisplayPort n'est connecté. Le moniteur ne prend pas en charge l'adaptateur de conversion DisplayPort.
- Assurez-vous que le moniteur et l'ordinateur sont en marche.
- Le moniteur est peut-être en mode d'économie d'énergie. Le moniteur se met automatiquement en veille s'il ne détecte plus de signal vidéo après une durée prédéfinie.
- Si la connexion à la borne d'entrée actuelle ne présente aucun signal d'entrée actif, touchez INPUT/SELECT pour changer d'entrée.
- Si le paramètre du menu OSD [DETECTION VIDEO] est défini sur [AUCUN], définissez-le sur [PREM].
- Vérifiez que la résolution sélectionnée pour la carte graphique ou le système est bien prise en charge. En cas de doute, consultez le manuel de la carte graphique ou du système pour savoir comment modifier la résolution.
- Vérifiez la compatibilité et la fréquence de signal recommandées pour votre moniteur et votre carte graphique.
- Vérifiez que les broches du connecteur sont intactes.
- Assurez-vous que le périphérique connecté transmet un signal au moniteur.
- Si la LED avant est bleue foncée, vérifiez l'état du mode [REGLAGE MODE EXTINCTION] ou [CAPTEUR DE PRESENCE].
- Si vous utilisez un câble USB-C pour relier le moniteur à un ordinateur, vérifiez que le port de l'ordinateur est conforme au mode alternatif DisplayPort.
- Si vous utilisez un câble USB-C pour relier le moniteur à un ordinateur, assurez-vous que le câble USB-C est conforme à la norme SuperSpeed USB.

Información importante

Medidas de seguridad y mantenimiento
PARA GARANTIZAR EL RENDIMIENTO ÓPTIMO DEL PRODUCTO, TENGA EN CUENTA LAS SIGUIENTES INSTRUCCIONES AL CONFIGURAR Y UTILIZAR EL MONITOR EN COLOR LCD:

Acerca de los símbolos
Para garantizar un uso seguro y apropiado del producto, en este manual se utilizan una serie de símbolos que ayudan a evitar lesiones personales y daños materiales. Los símbolos y sus significados están descritos a continuación. Asegúrese de que los compre en su totalidad antes de leer este manual.

Table with 2 columns: Symbol and Description. Includes Advertencia (Warning) and Precaución (Caution).

Table with 2 columns: Symbol and Description. Examples of symbols including 'Indica advertencia o precaución', 'Indica una acción prohibida', and 'Indica una acción obligatoria'.

ADVERTENCIA

Main table of warnings. Rows include: 1. Desenchufe el cable de alimentación si el producto no funciona bien... 2. No retire ni abra la carcasa del producto... 3. No use el producto si tiene daños estructurales... 4. Manipule el cable de alimentación con cuidado... 5. No toque el cable si oye el sonido de una tormenta... 6. Utilice el cable de alimentación que se suministra... 7. Instale el producto teniendo en cuenta la información siguiente... 8. Evite inclinaciones y caídas provocadas por terremotos u otros seísmos...

Table with 2 columns: Symbol and Description. Includes Prohibición (Prohibition) and Asegúrese de hacerlo (Make sure to do it).

Table with 2 columns: Symbol and Description. Includes Prohibición (Prohibition) and Tensión peligrosa (High Voltage).

PRECAUCIÓN

Main table of precautions. Rows include: 1. Manipulación del cable de alimentación... 2. Confirme que el sistema de distribución de la instalación del edificio proporcionará el disyuntor... 3. No plegue el cable USB ni el cable de alimentación... 4. No conecte a una LAN con un excesivo voltaje... 5. No se suba al producto ni a la mesa donde está instalado... 6. Instalación, retirada y ajuste del soporte... 7. No incline el monitor hacia abajo más de 5 grados... 8. No empuje el producto... 9. No golpee la superficie del panel LCD... 10. Apto para fines recreativos en entornos con iluminación controlada... 11. No conecte los auriculares al producto... 12. No juegue con la bolsa de plástico que cubre el producto... 13. Para garantizar la fiabilidad del producto, limpie una vez al año las aberturas de ventilación... 14. Evite ubicaciones sujetas a niveles extremos de temperatura y humedad...

Solución de problemas

- No hay imagen**
- Asegúrese de que el cable de señal esté totalmente conectado al monitor y al ordenador.
- Asegúrese de que la tarjeta de visualización del ordenador esté totalmente conectada a su ranura.
- Asegúrese de que no se ha conectado un adaptador DisplayPort. El monitor no admite el adaptador de conversión para DisplayPort.
- Asegúrese de que tanto el monitor como el ordenador estén encendidos.
- El monitor puede estar en modo de ahorro de energía. El monitor se pone en espera automáticamente en el tiempo preestablecido cuando se pierde la señal de video.
- Si la conexión del terminal de entrada actual no tiene ninguna señal de entrada activa, toque la tecla INPUT/SELECT para cambiar de entrada.
- Si el ajuste del menú OSD [DETECCIÓN DE VIDEO] está establecido en [NINGUNO], cambie el ajuste a [PRIMERO].
- Asegúrese de que se ha seleccionado una resolución compatible en la tarjeta de visualización o en el sistema que se está utilizando. En caso de duda, consulte el manual del controlador de pantalla o del sistema para cambiar a la resolución.
- Compruebe que el monitor y su tarjeta de visualización son compatibles y la cadencia de las señales es la recomendada.
- Compruebe que el conector del cable de señal no está doblado ni tiene ninguna clavija hundida.
- Asegúrese de que el dispositivo conectado emita una señal al monitor.
- Si el LED frontal está en color azul oscuro, compruebe el estado del modo [AJUSTES MODO APAGADO] o [SENSOR DE PRESENCIA].
- Si utiliza un cable USB-C para conectar un ordenador al monitor, verifique que el puerto de conexión del ordenador cumple con el estándar DisplayPort Alt Mode.
- Si utiliza un cable USB-C para conectar un ordenador al monitor, verifique que el cable USB-C cumple con el estándar SuperSpeed USB.

FCC Information

WARNING: The Federal Communications Commission does not allow any modifications or changes to the unit EXCEPT those specified by Sharp NEC Display Solutions of America, Inc. in this manual. Failure to comply with this government regulation could void your right to operate this equipment.

This equipment has been tested and found to comply with the limits for a Class B digital device, pursuant to part 15 of the FCC Rules. These limits are designed to provide reasonable protection against harmful interference in a residential installation. This equipment generates, uses, and can radiate radio frequency energy, and, if not installed and used in accordance with the instructions, may cause harmful interference to radio communications. However, there is no guarantee that interference will not occur in a particular installation. If this equipment does cause harmful interference to radio or television reception, which can be determined by turning the equipment off and on, the user is encouraged to try to correct the interference by one or more of the following measures:

- Reorient or relocate the receiving antenna.
- Increase the separation between the equipment and receiver.
- Connect the equipment into an outlet on a circuit different from that to which the receiver is connected.
- Consult the dealer or an experienced radio/TV technician for help.

If necessary, the user should contact the dealer or an experienced radio/television technician for additional suggestions. The user may find the following booklet, prepared by the Federal Communications Commission, helpful: "How to Identify and Resolve Radio-TV Interference Problems." This booklet is available from the U.S. Government Printing Office, Washington, D.C., 20402, Stock No. 004-000-00345-4.

SUPPLIER'S DECLARATION OF CONFORMITY
This device complies with Part 15 of the FCC Rules. Operation is subject to the following two conditions: (1) This device may not cause harmful interference, and (2) this device must accept any interference received, including interference that may cause undesired operation.

U.S. Responsible Party: Sharp NEC Display Solutions of America, Inc.
Address: 3250 Lacey Rd, Ste 500 Downers Grove, IL 60515 (630) 467-3000

Tel. No.: Type of Product: LCD Monitor
Equipment Classification: Class B Peripheral
Model: EA242WU, EA242WU-BK

Data is subject to change without notice. Printed in China.