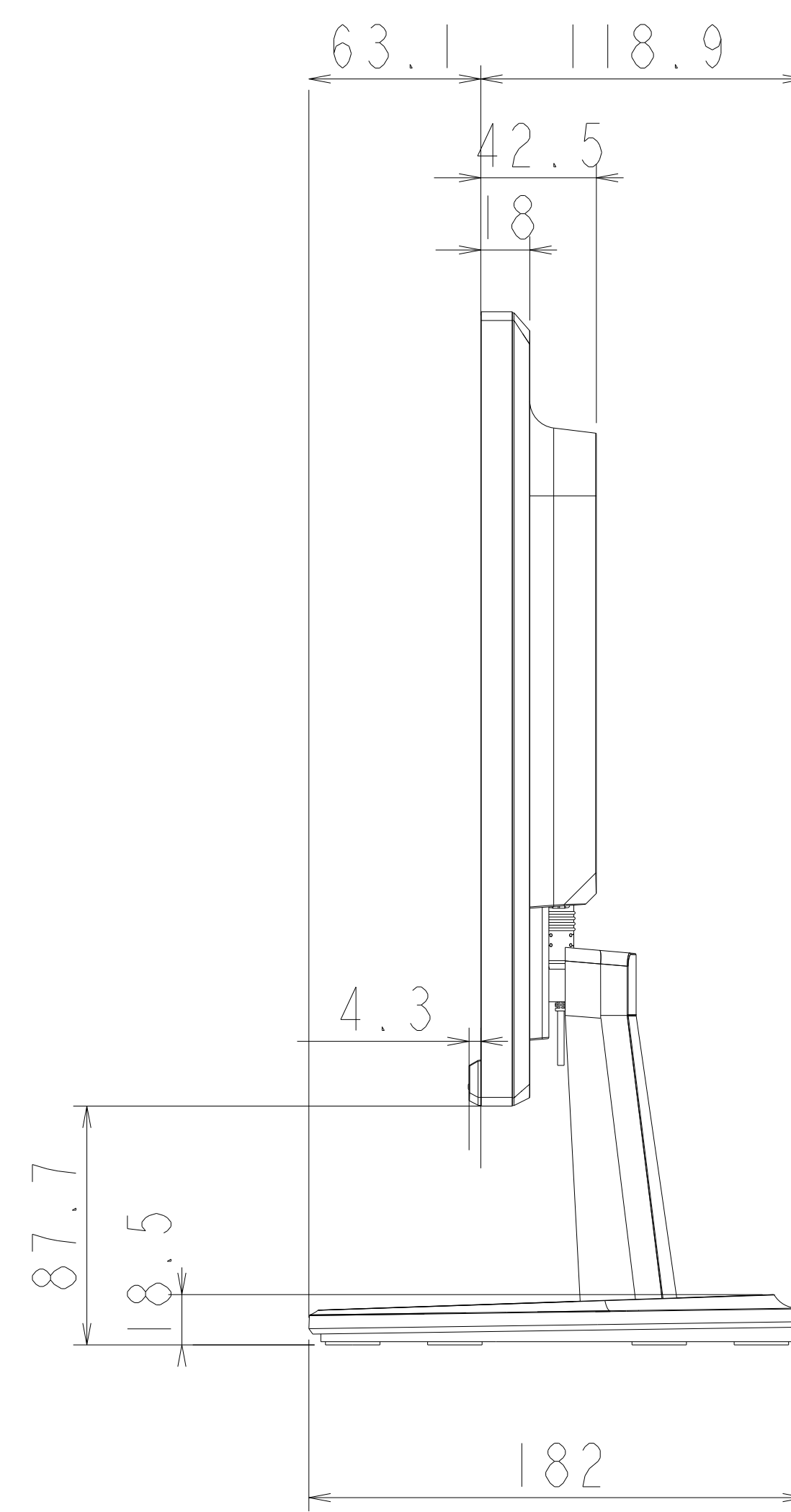
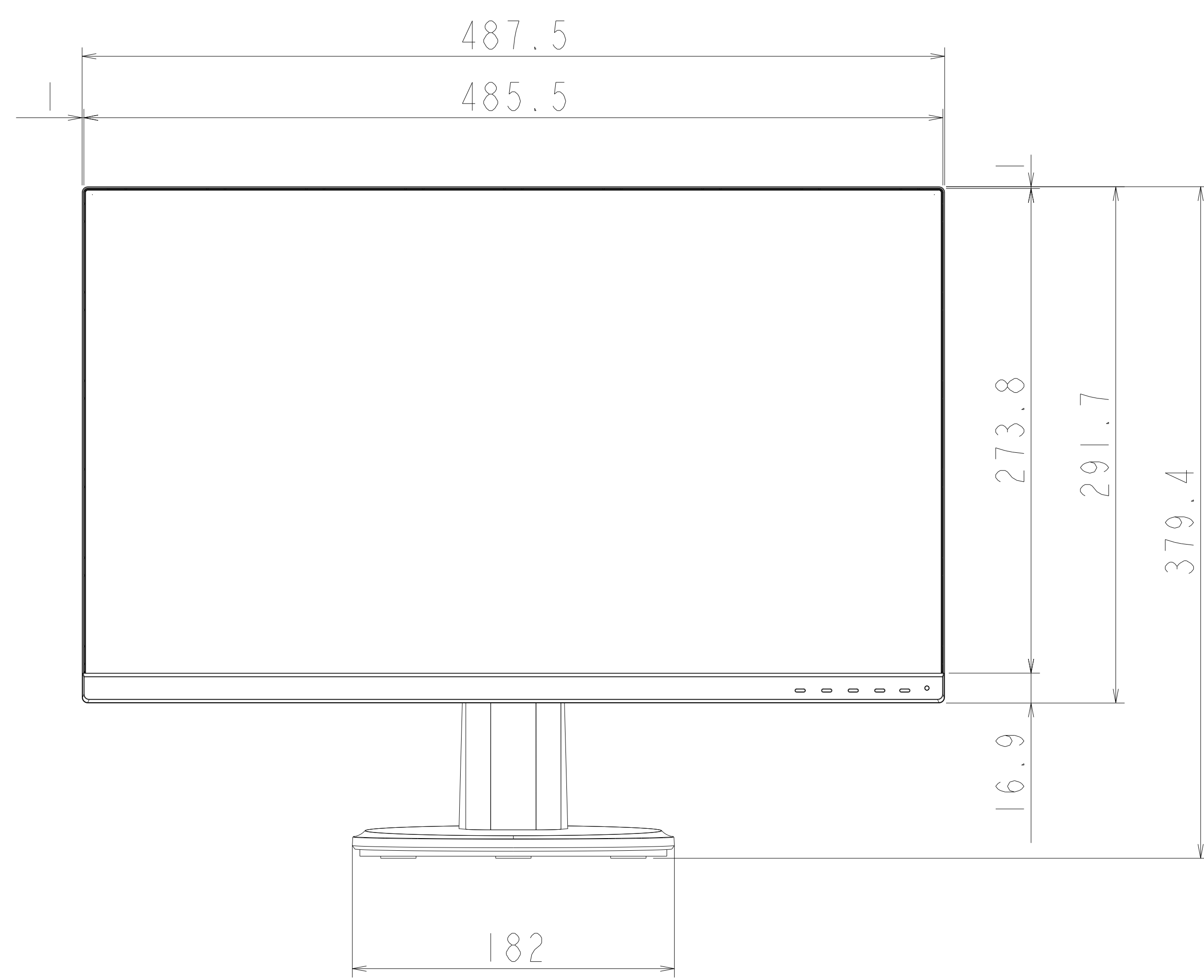
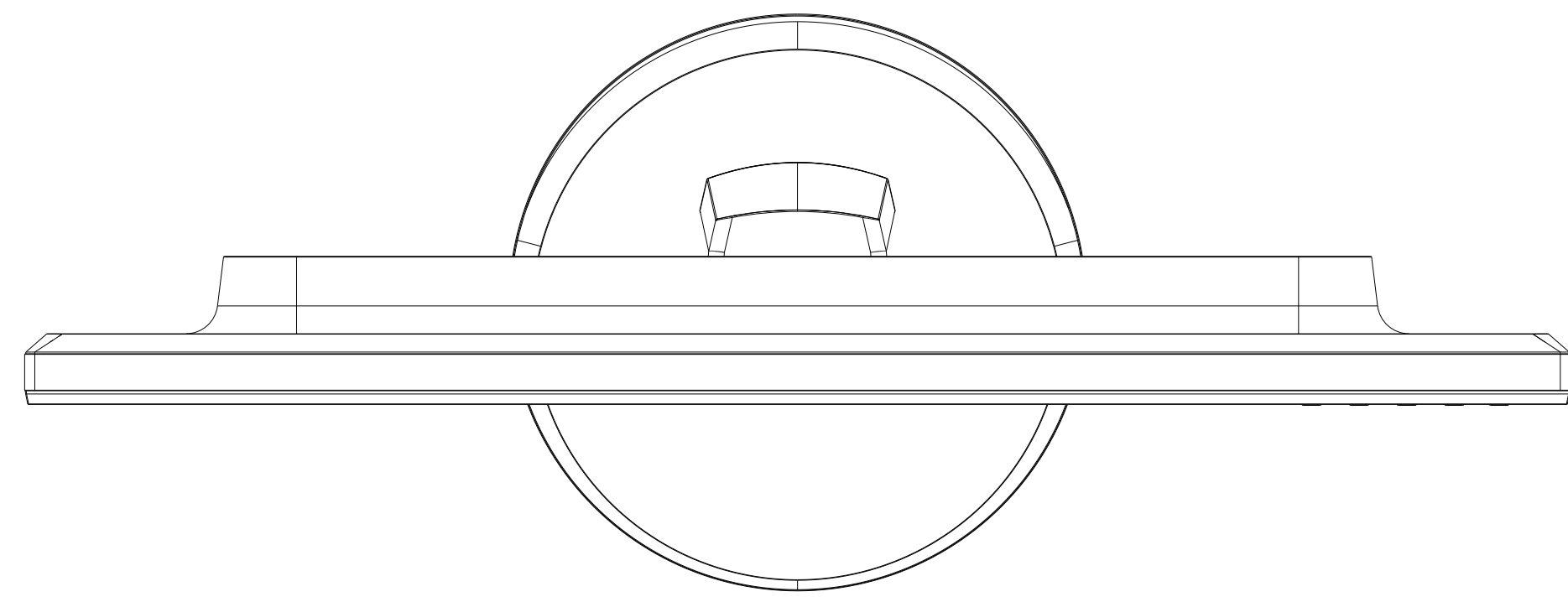
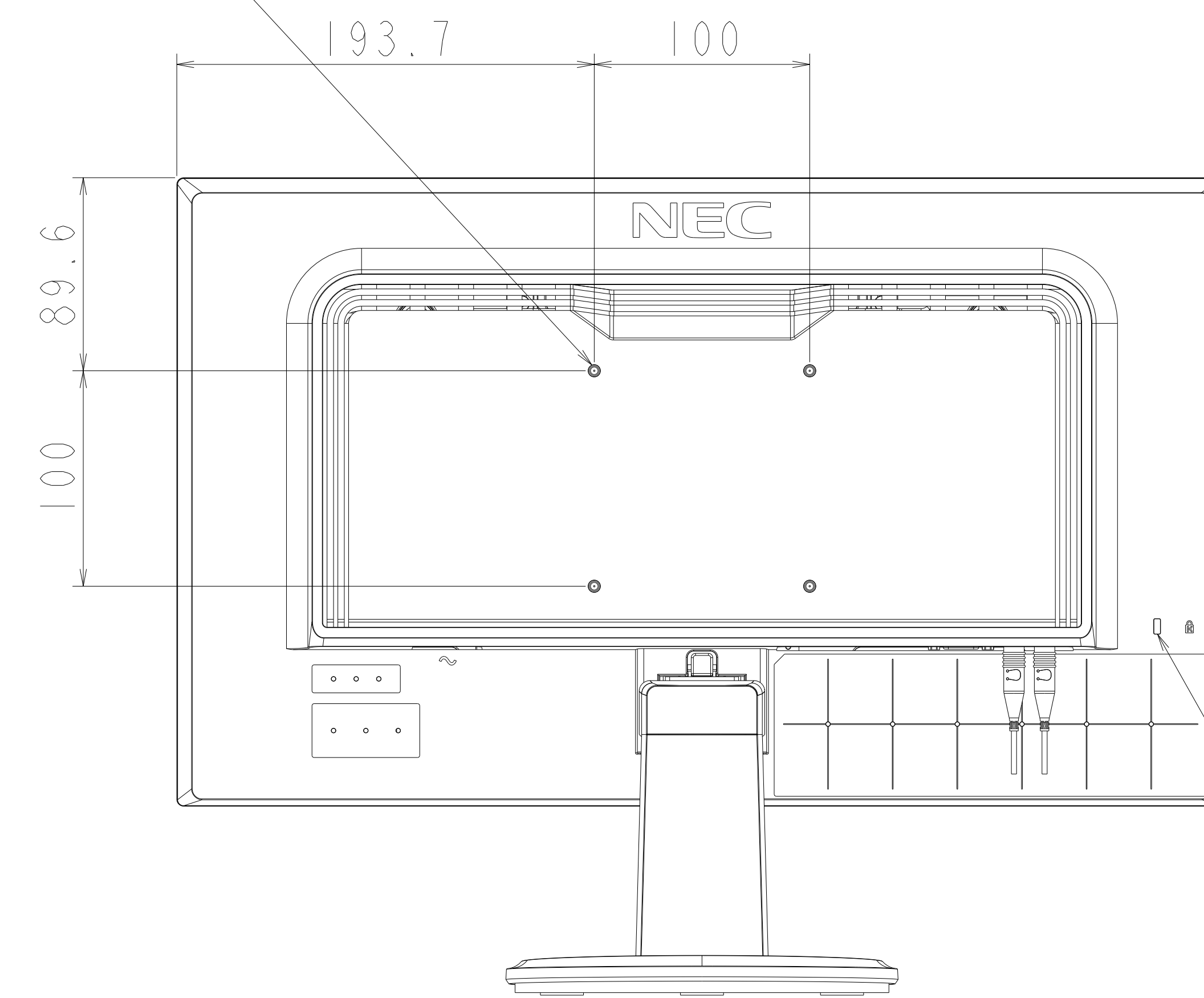


AS221F  
 NEC Display Solutions, Ltd.  
 05/July/2019 (2019/07/05)  
 UNIT (単位): mm



VESA Screw holes  
 VESAネジ穴



Kensington Security Slot  
 盗難防止用ロック穴

