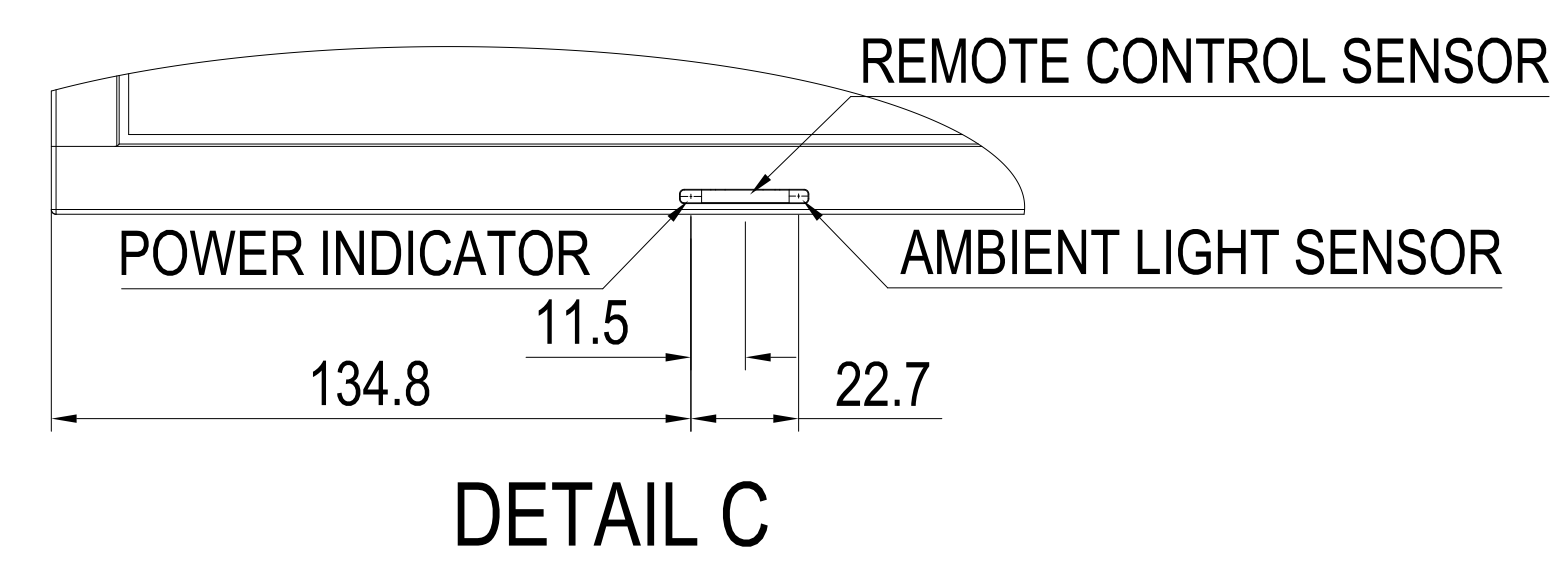
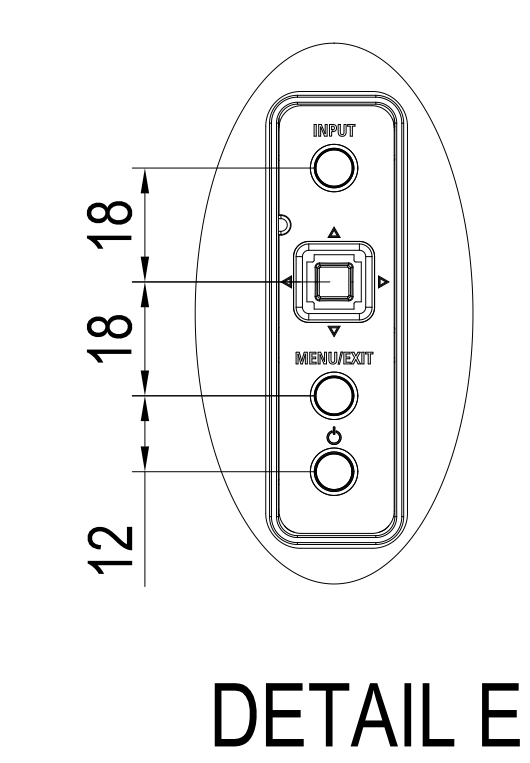
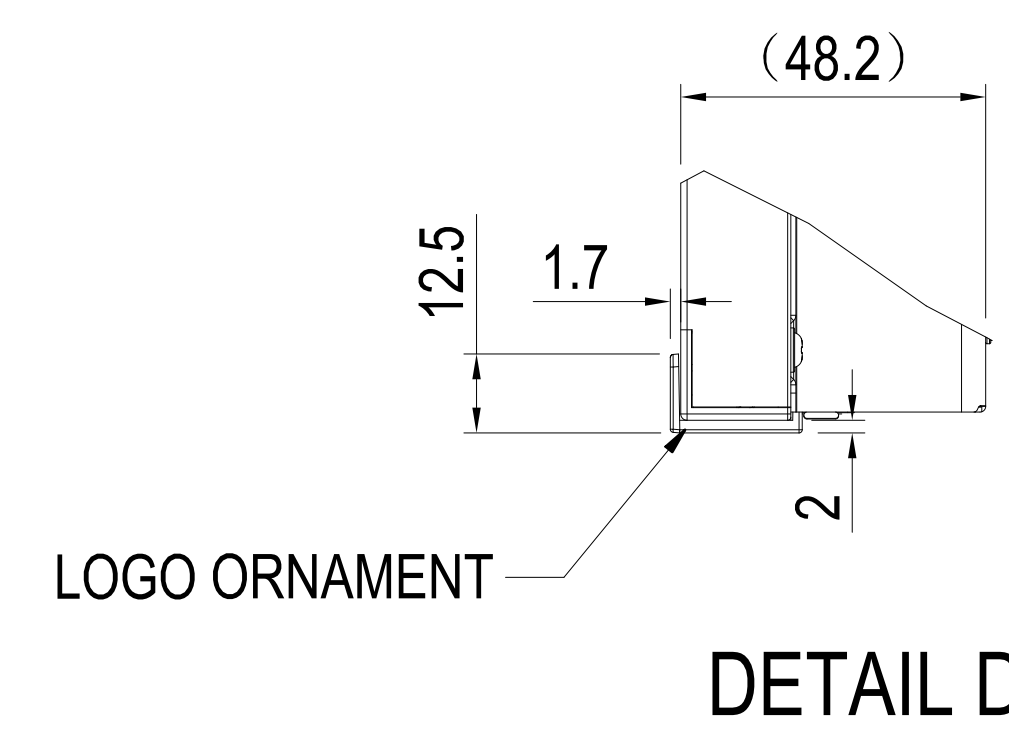
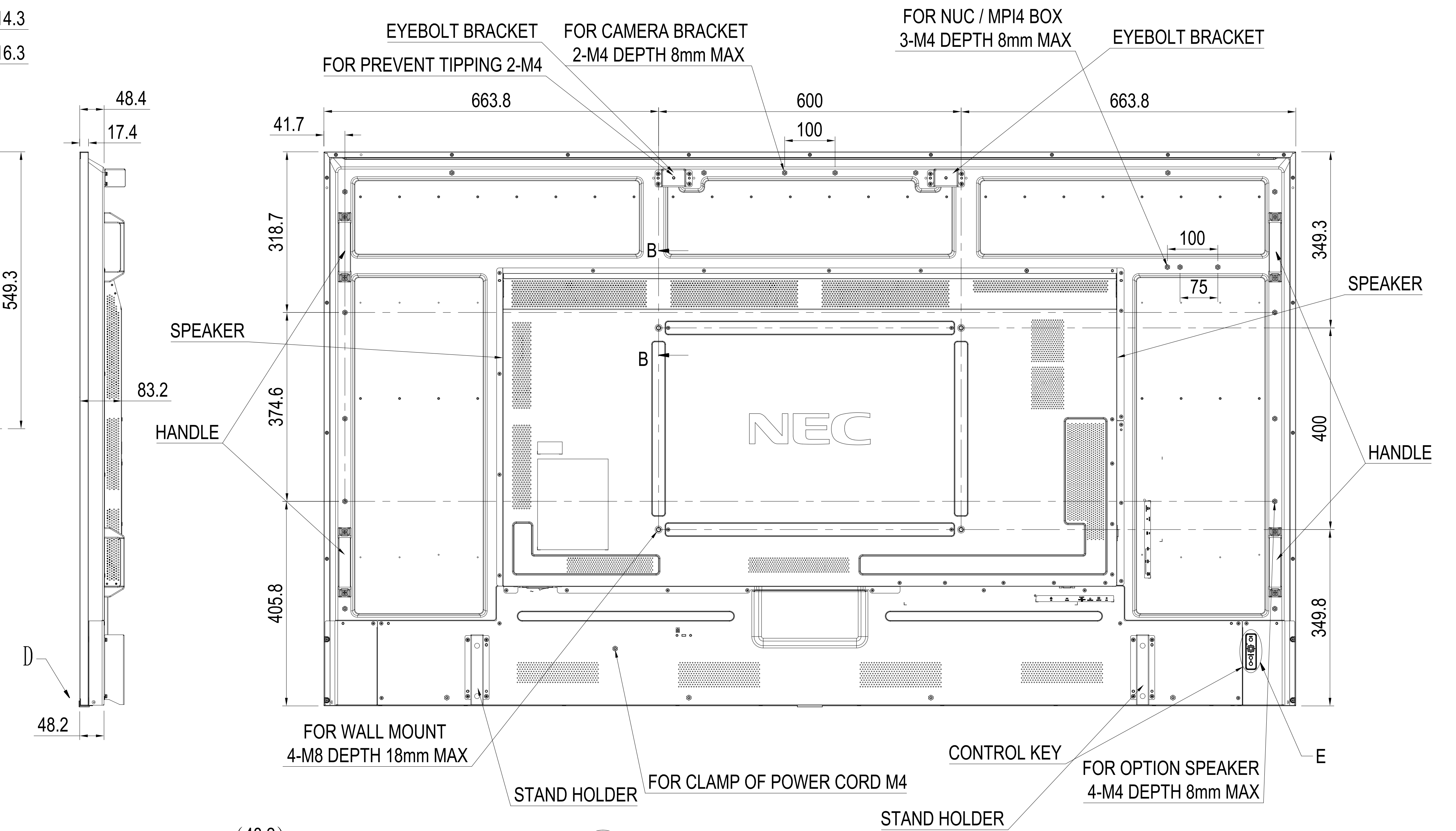
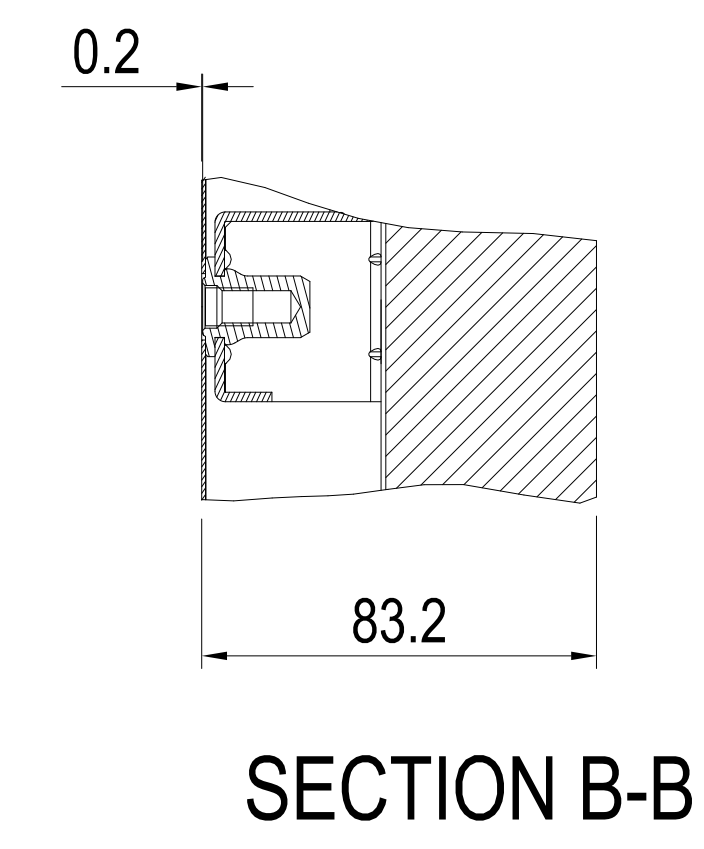
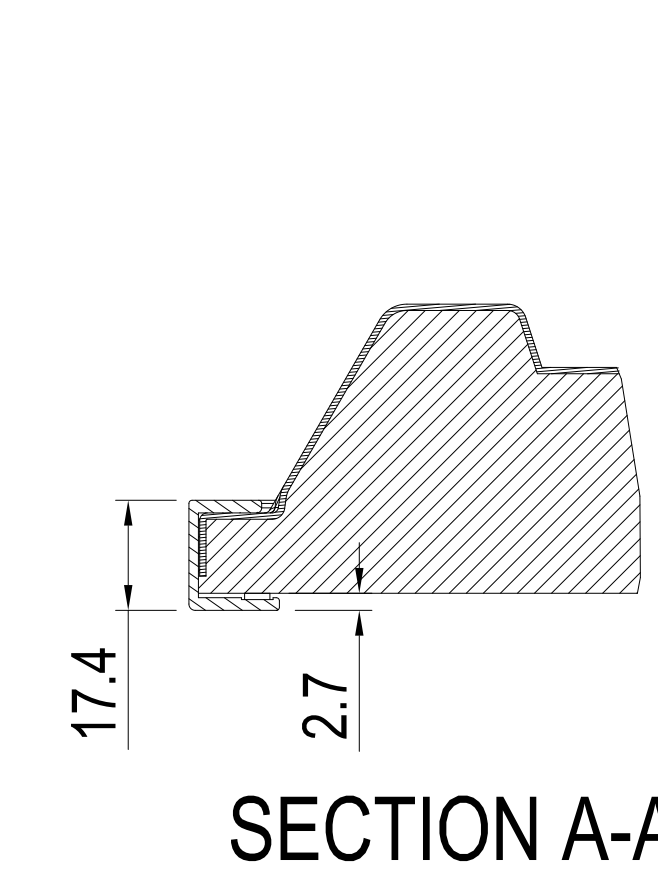
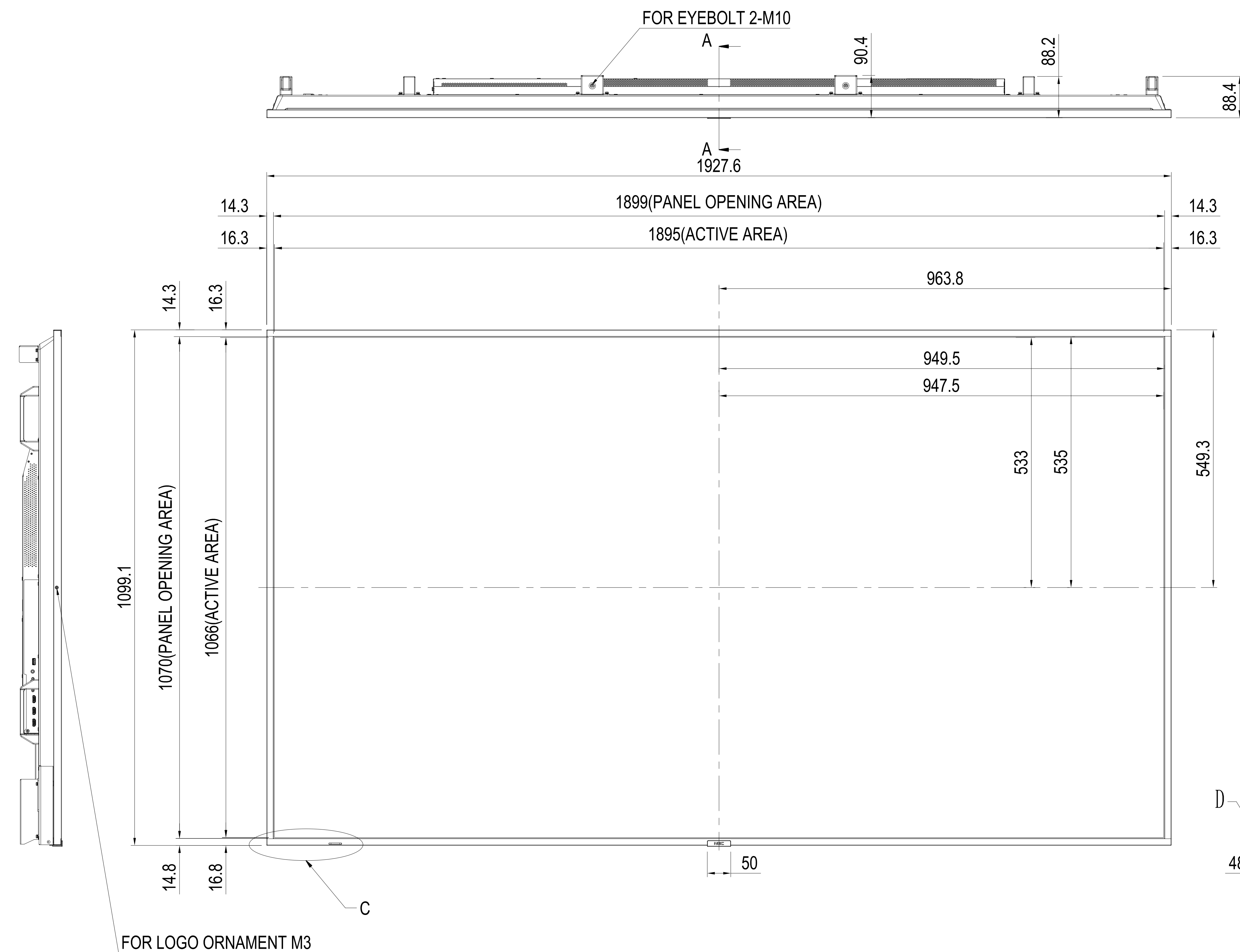


E868 OUTLINE

The center of gravity: It is within 10mm from active center.



| | |
|---|------|
| UNIT | mm |
| MODEL | E868 |
| Sharp NEC Display Solutions 2022/09/14 | |