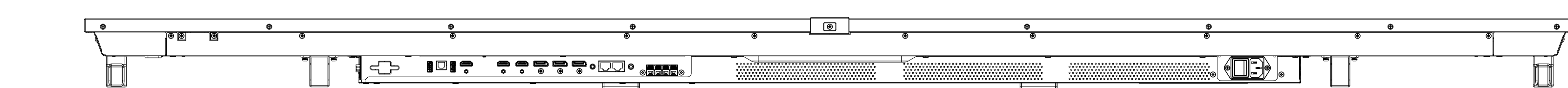
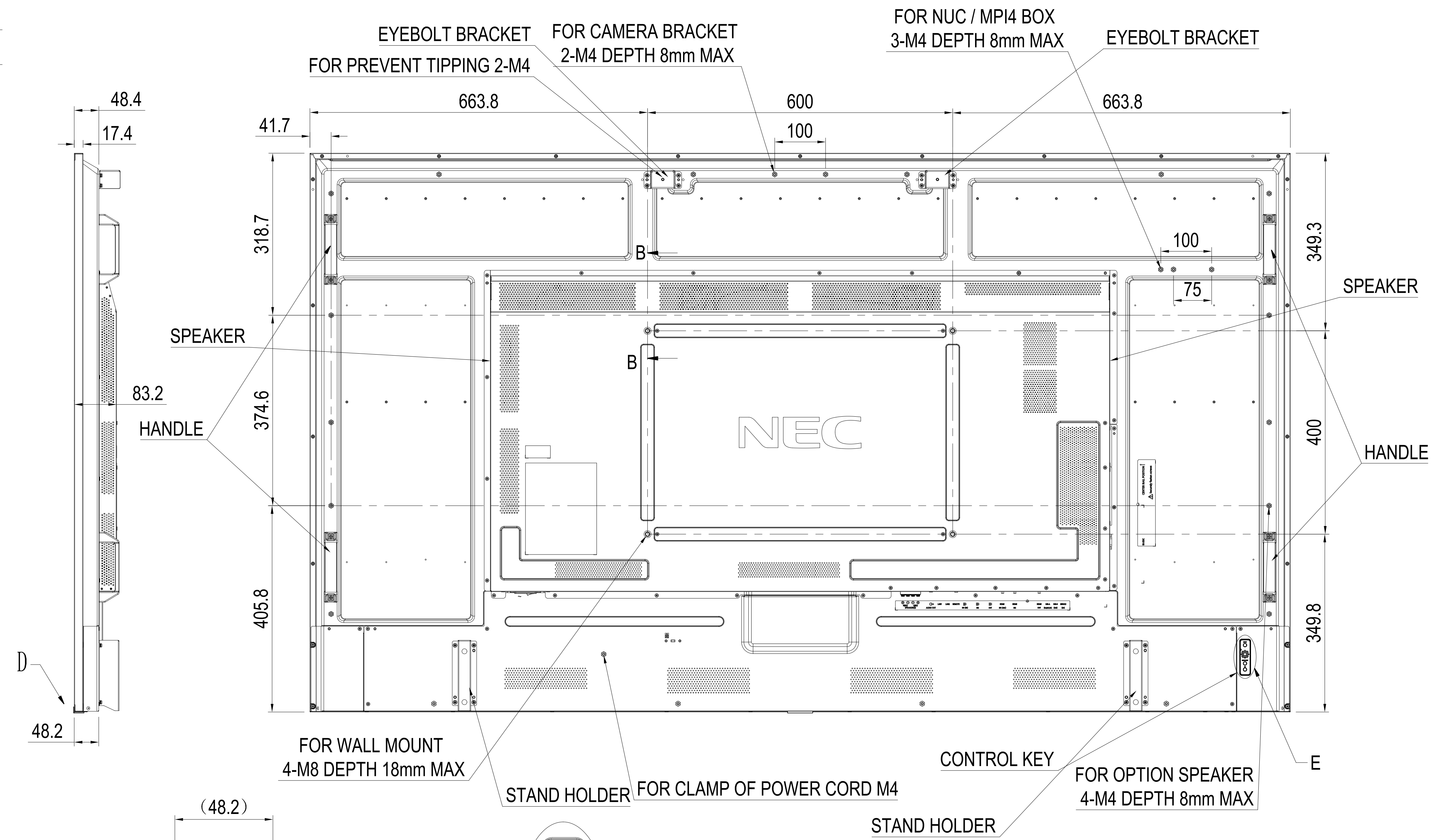
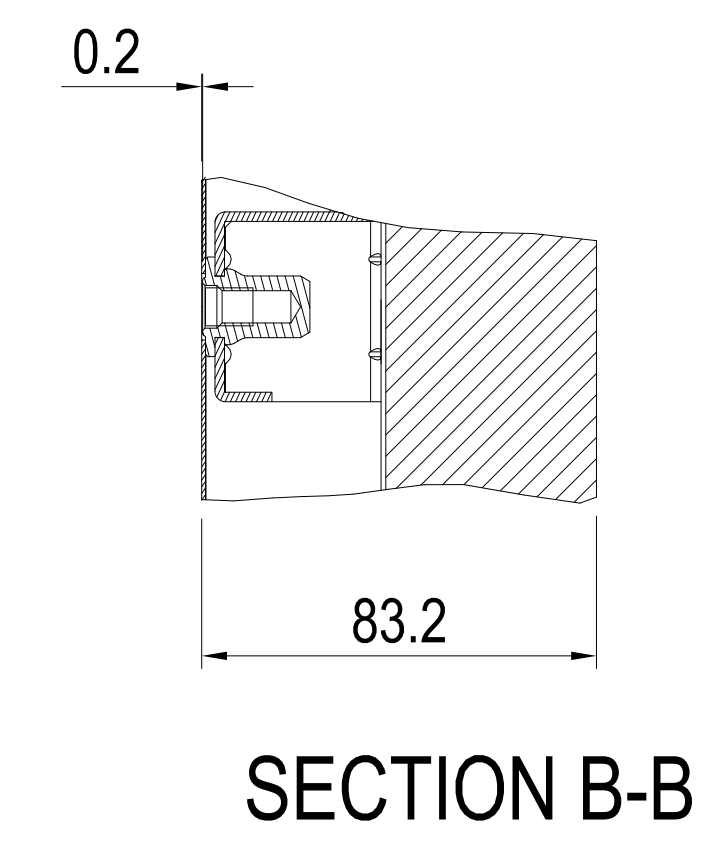
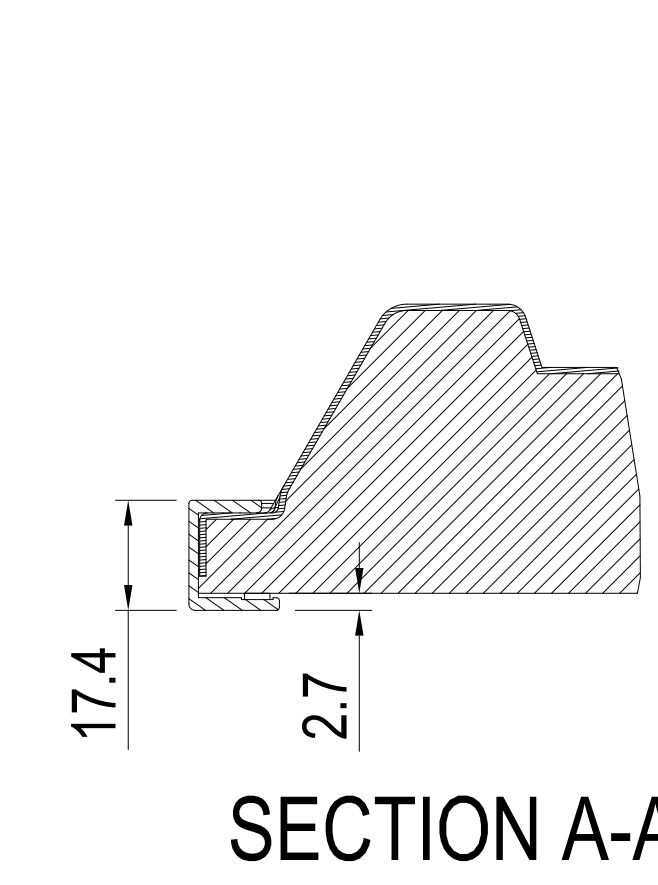
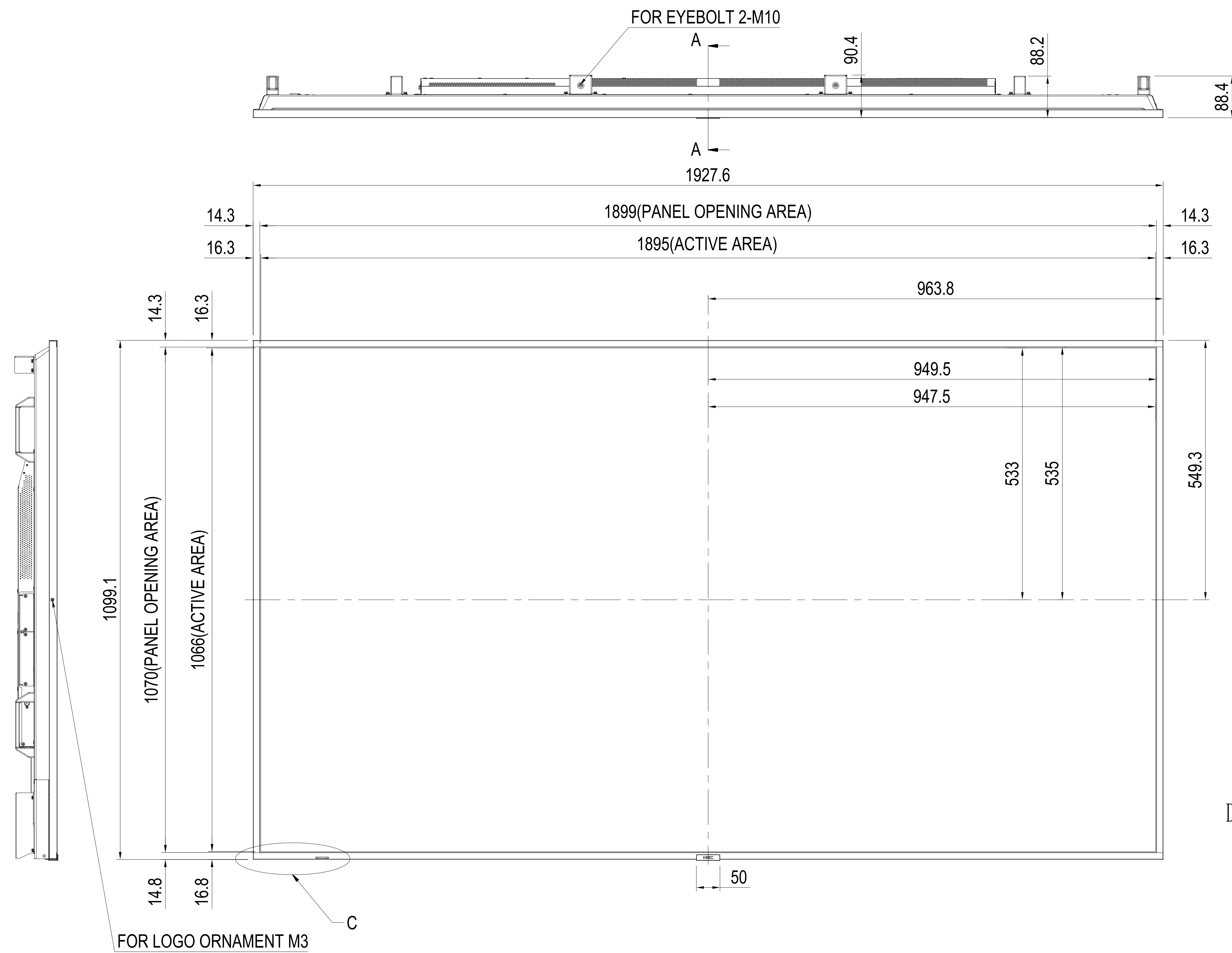
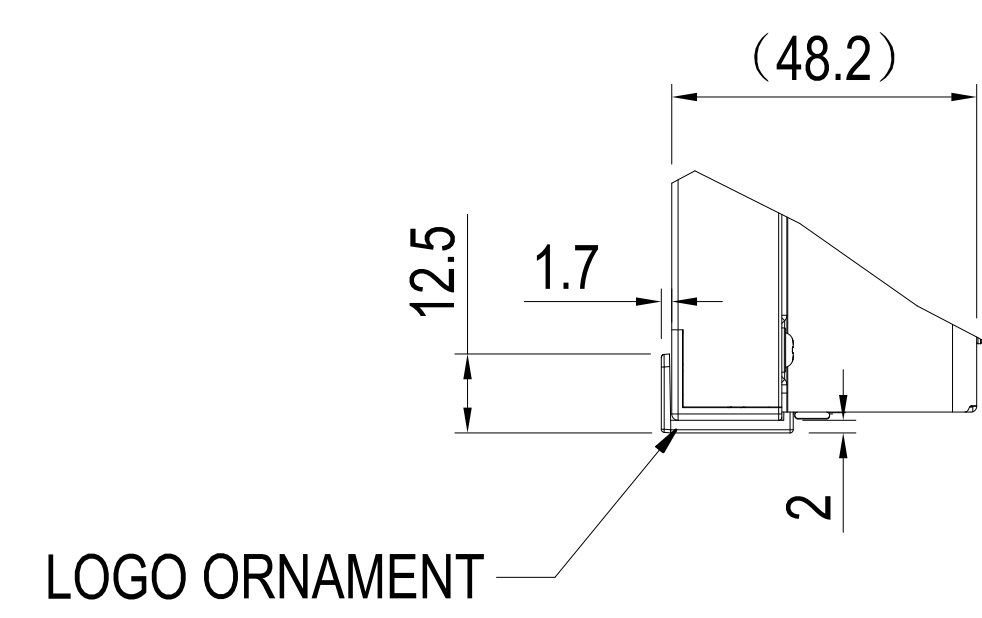


# M861 OUTLINE

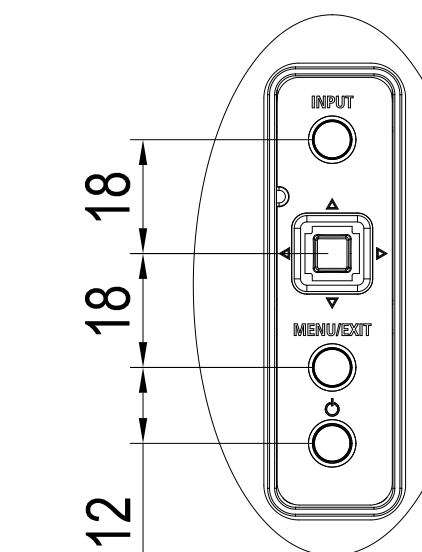
The center of gravity: It is within 10mm from active center.



DETAIL C



DETAIL D



DETAIL E

UNIT	mm
MODEL	M861
Sharp NEC Display Solutions 2022/09/16	