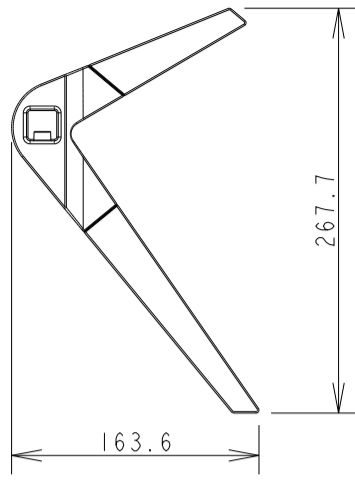
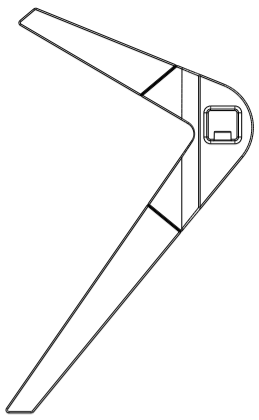


ST-32M OUTLINE

UNIT	mm
MODEL	ST-32M
SCALE	1/5
Sharp NEC Display Solutions 2021/09/16	

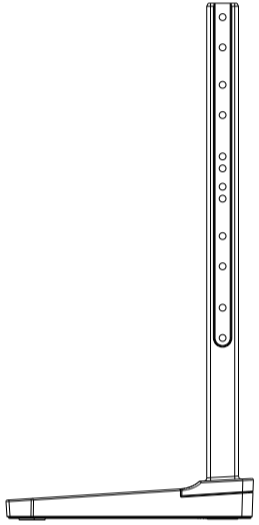
BASE and POLE



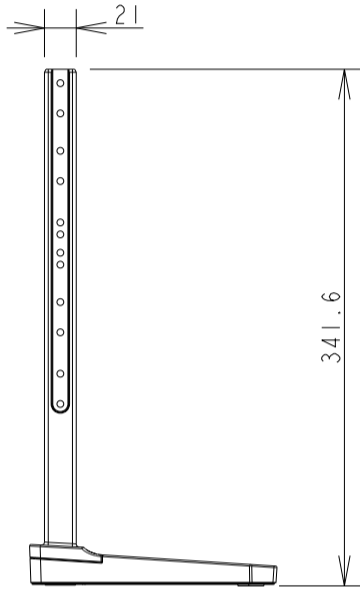
TOP VIEW



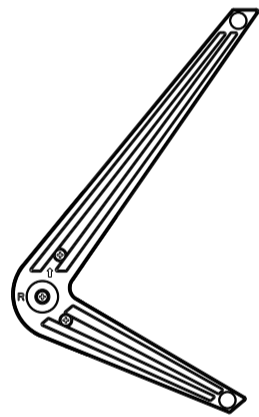
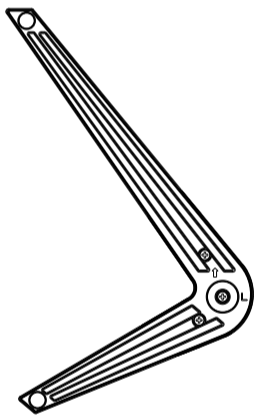
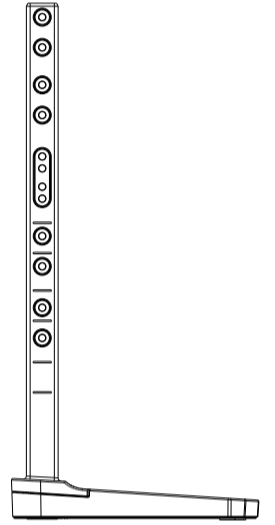
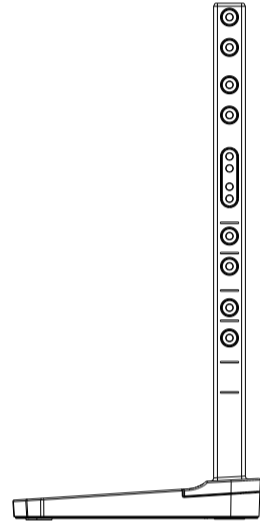
SIDE VIEW



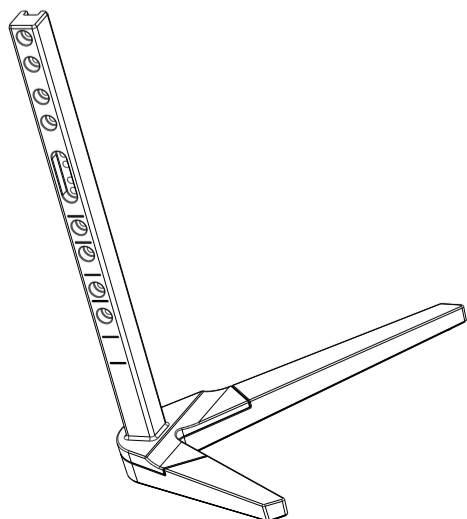
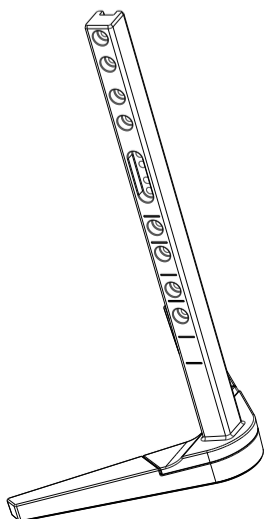
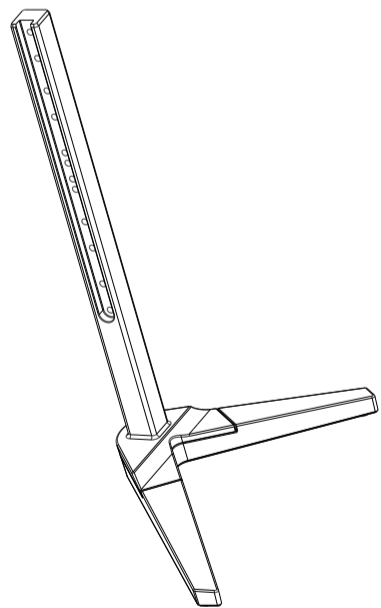
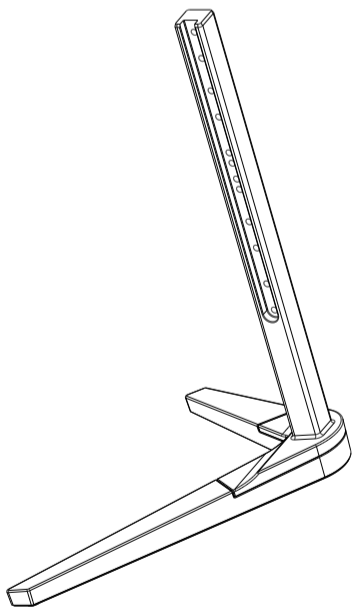
FRONT VIEW



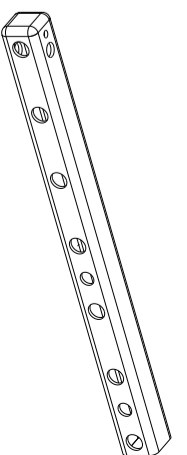
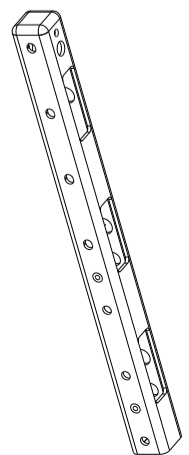
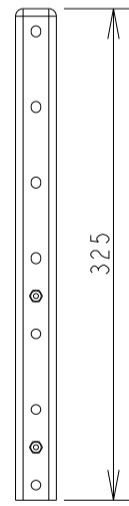
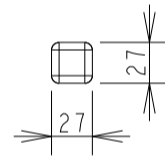
BACK VIEW



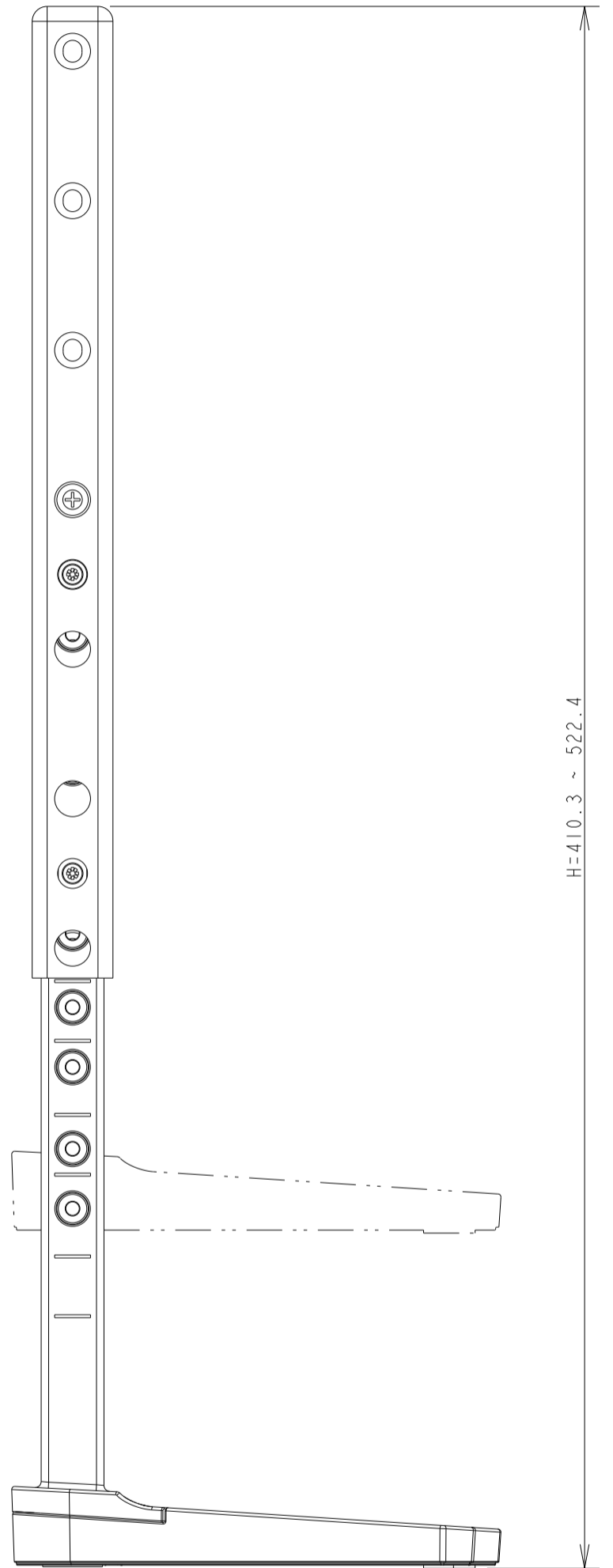
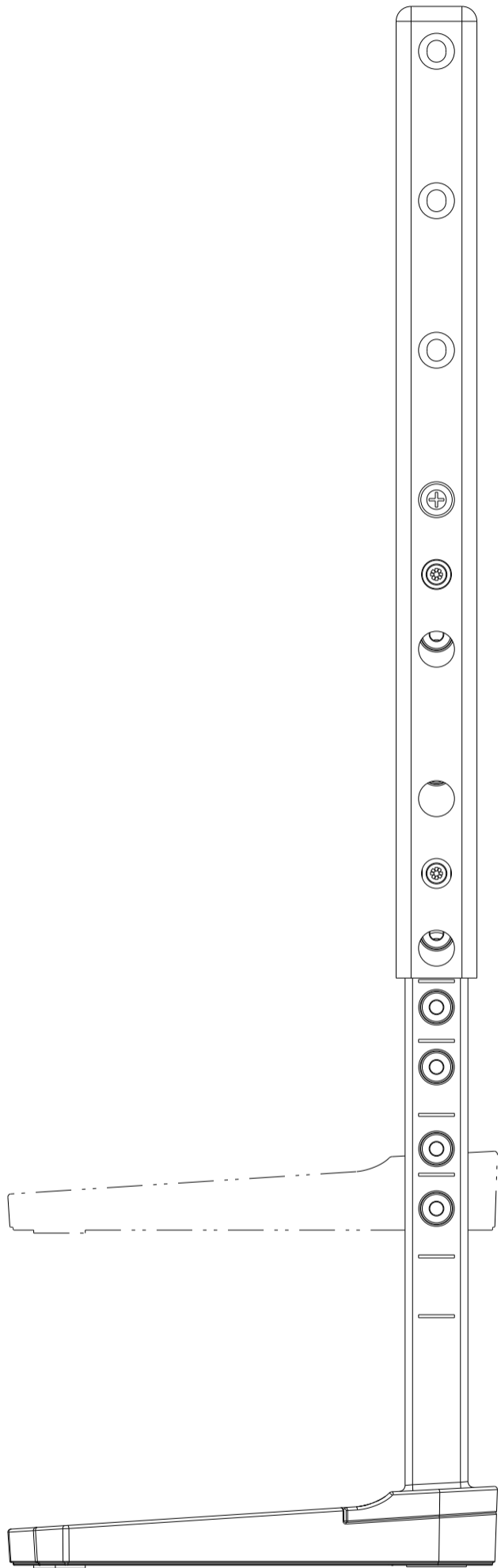
BOTTOM VIEW



PIPE



UNIT	mm
MODEL	ST-32M
SCALE	1/2
Sharp NEC Display Solutions 2021/09/16	



BACK VIEW