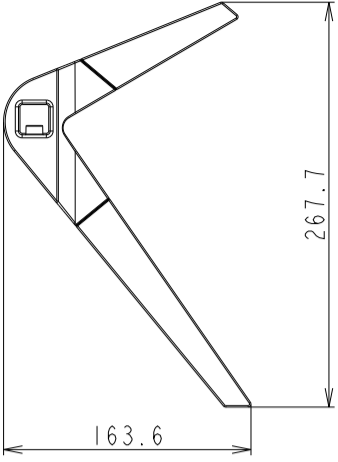
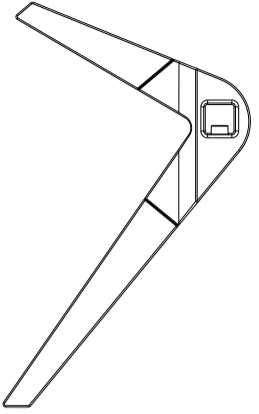


# ST-43M OUTLINE

UNIT	mm
MODEL	ST-43M
SCALE	1/5
Sharp NEC Display Solutions 2021/02/03	

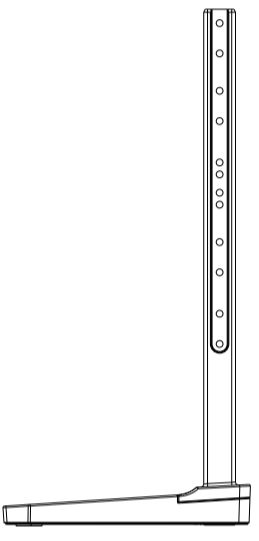
## BASE and POLE



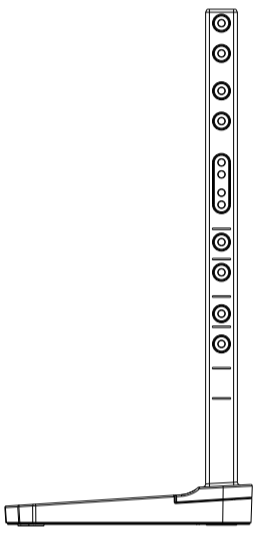
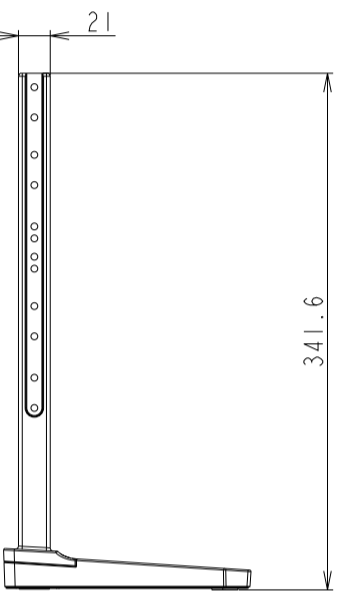
TOP VIEW



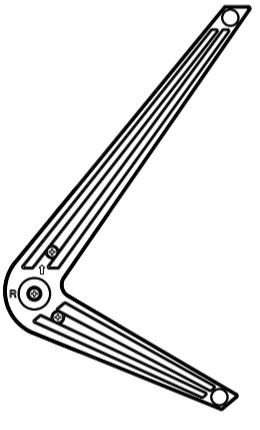
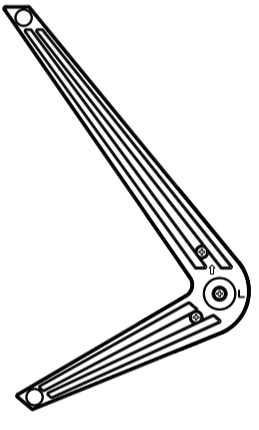
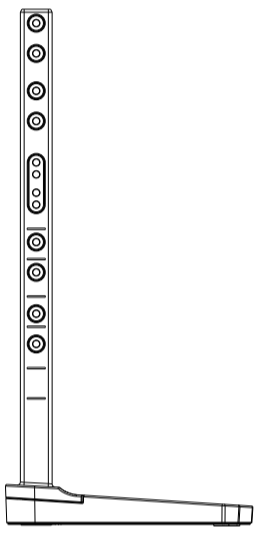
SIDE VIEW



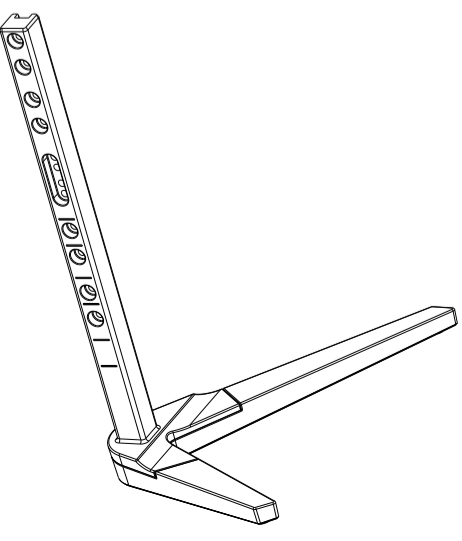
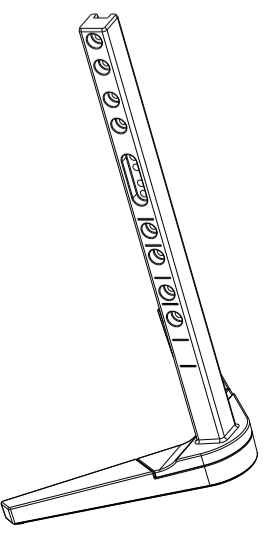
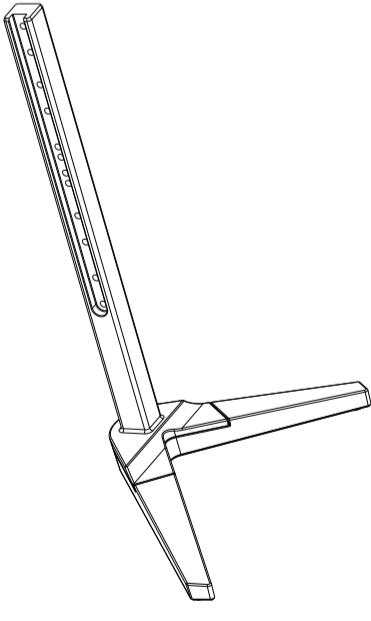
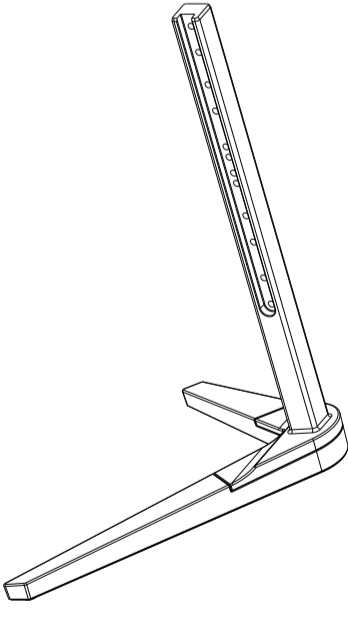
FRONT VIEW



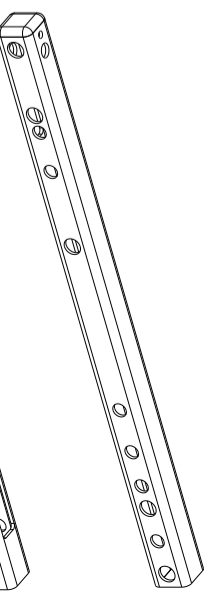
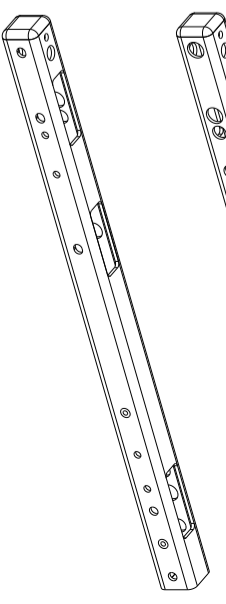
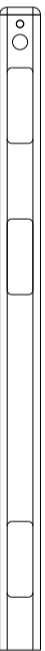
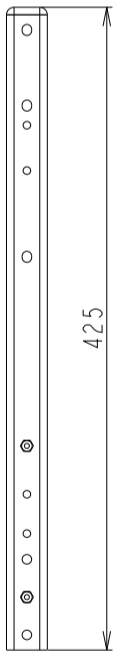
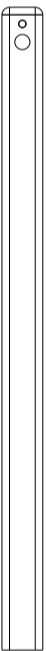
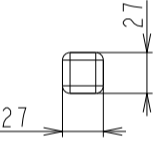
BACK VIEW



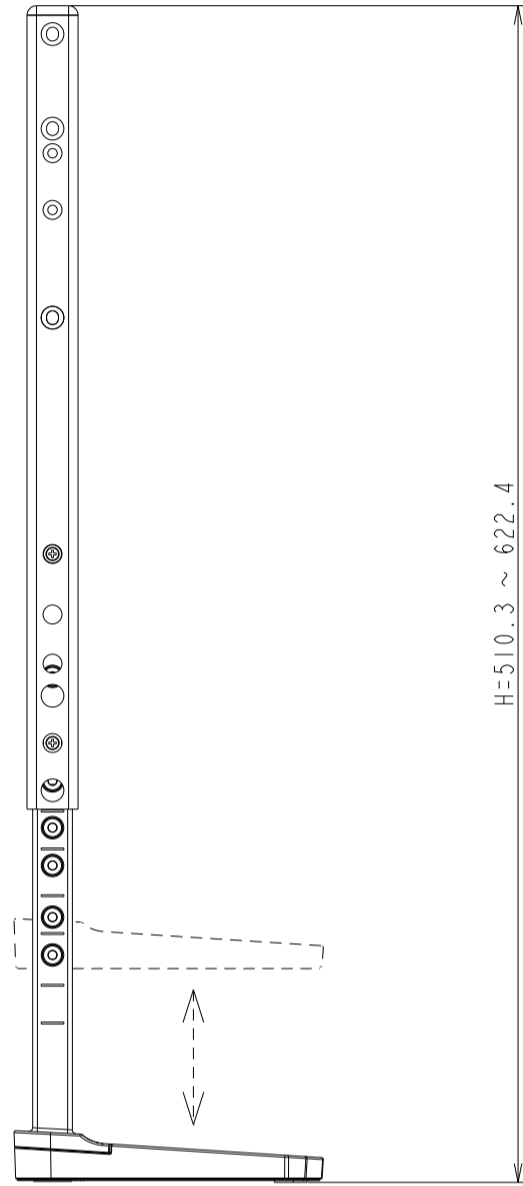
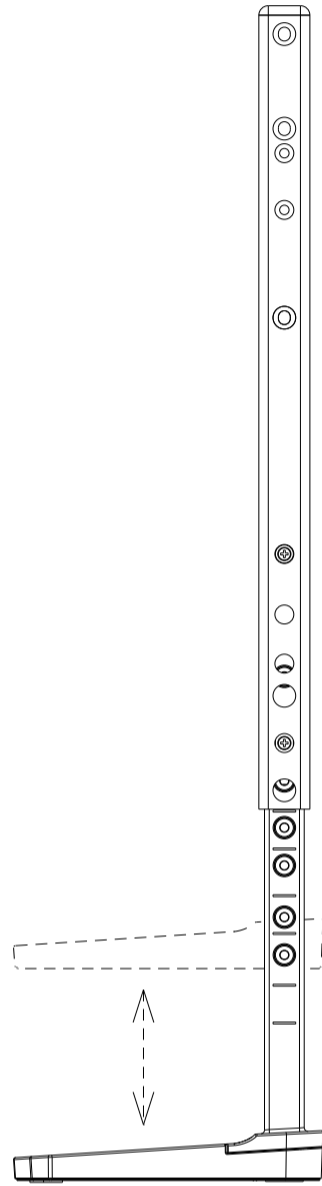
BOTTOM VIEW



## PIPE



UNIT	mm
MODEL	ST-43M
SCALE	1/5
Sharp NEC Display Solutions 2021/02/03	



BACK VIEW