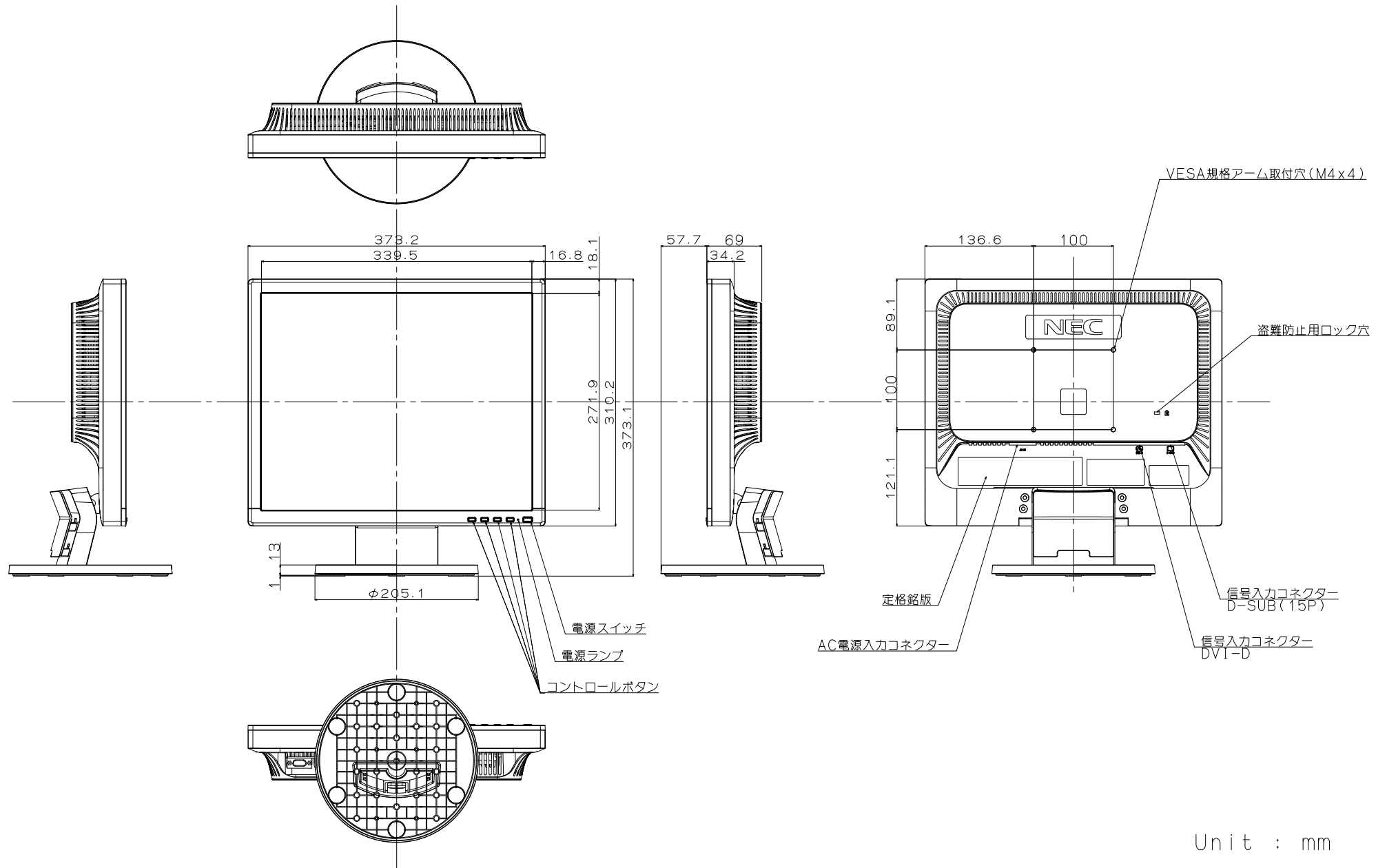


LCD-AS172/LCD-AS172-BK



Unit : mm