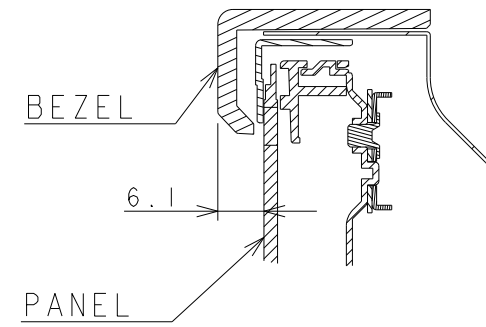
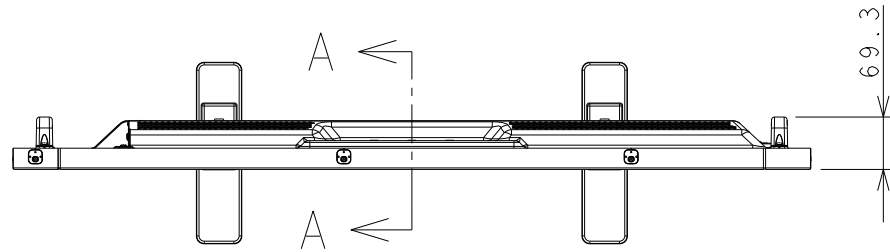
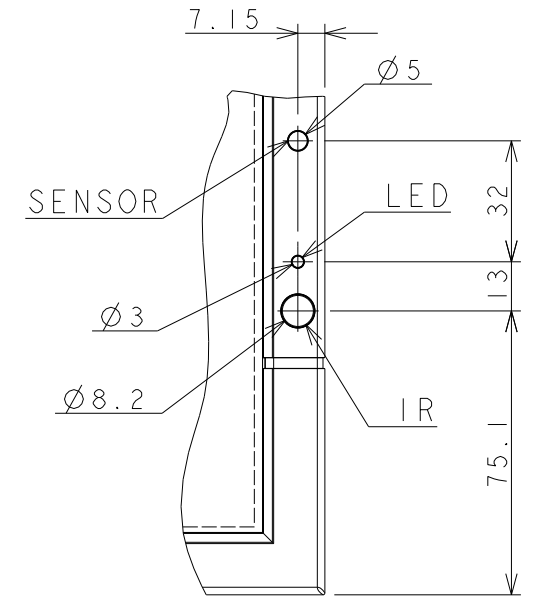


P463 OUTLINE WITH STAND

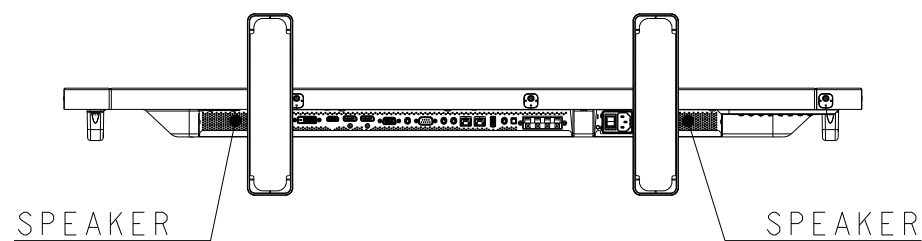
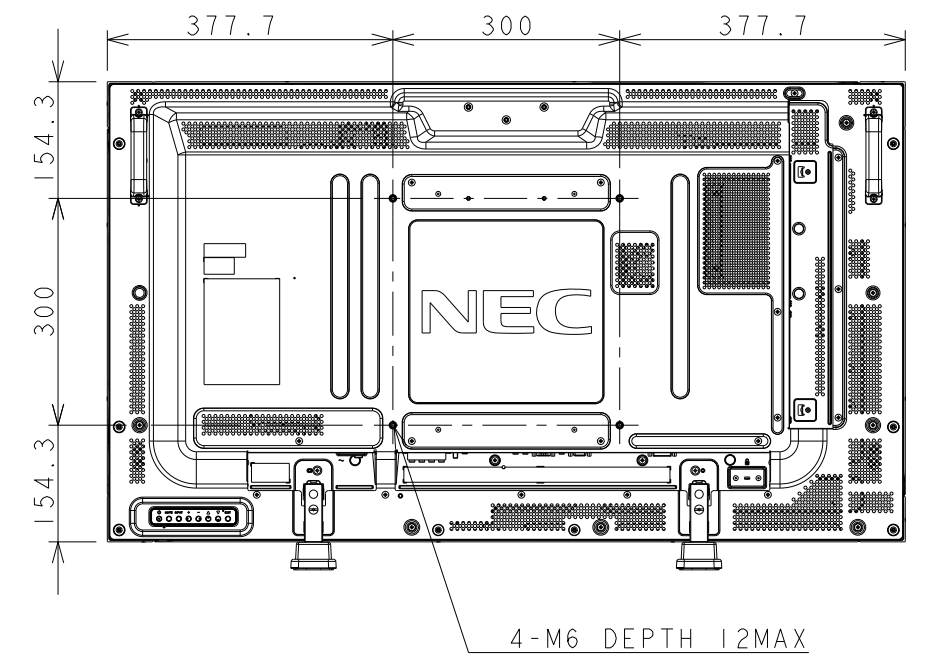
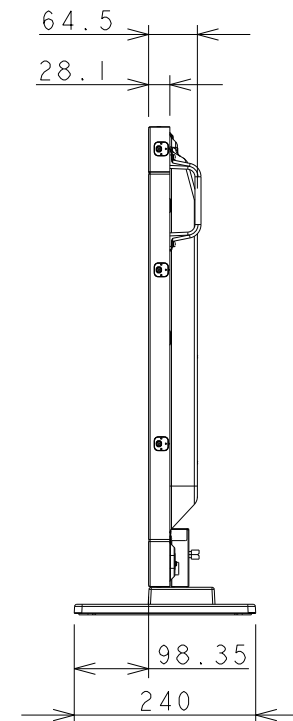
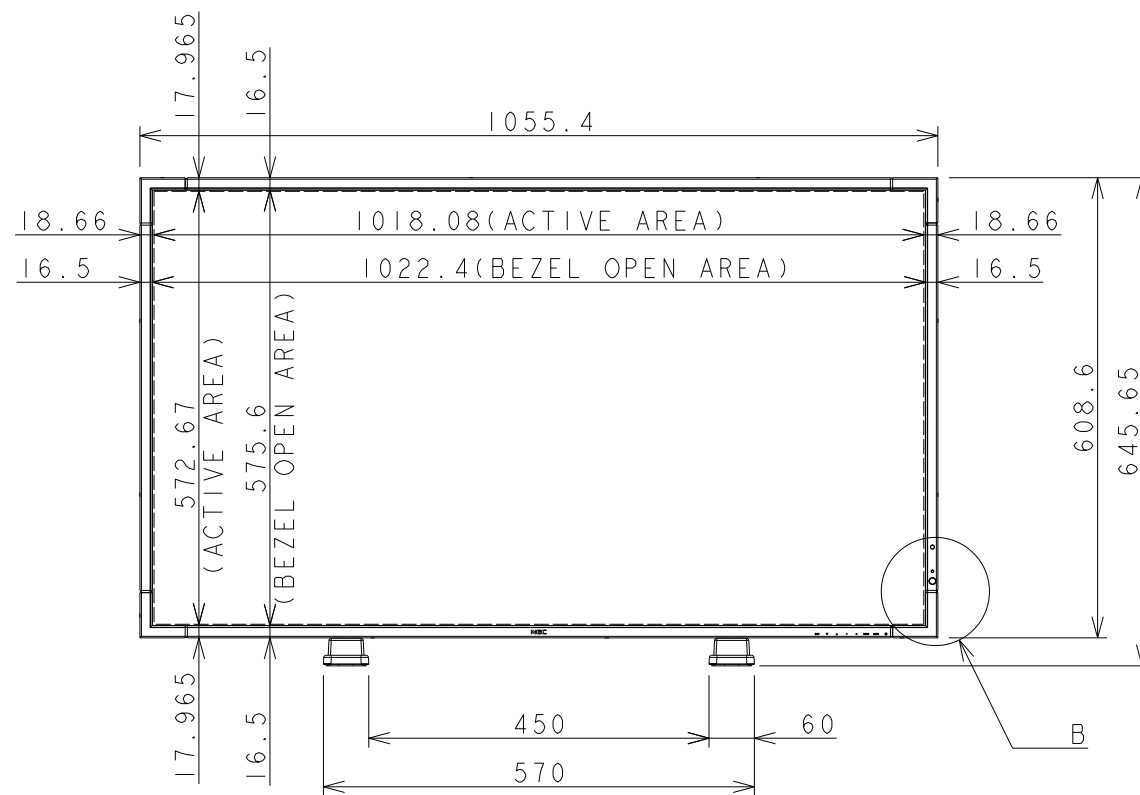
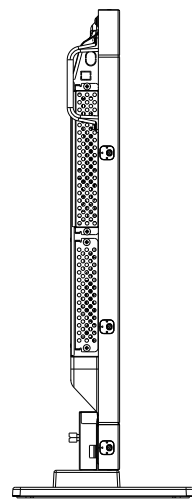
2013/08/20



SECTION A-A
SCALE 1/1



DETAIL OF B
SCALE 1/2



SIZE A3
SCALE 1/10
DIM mm