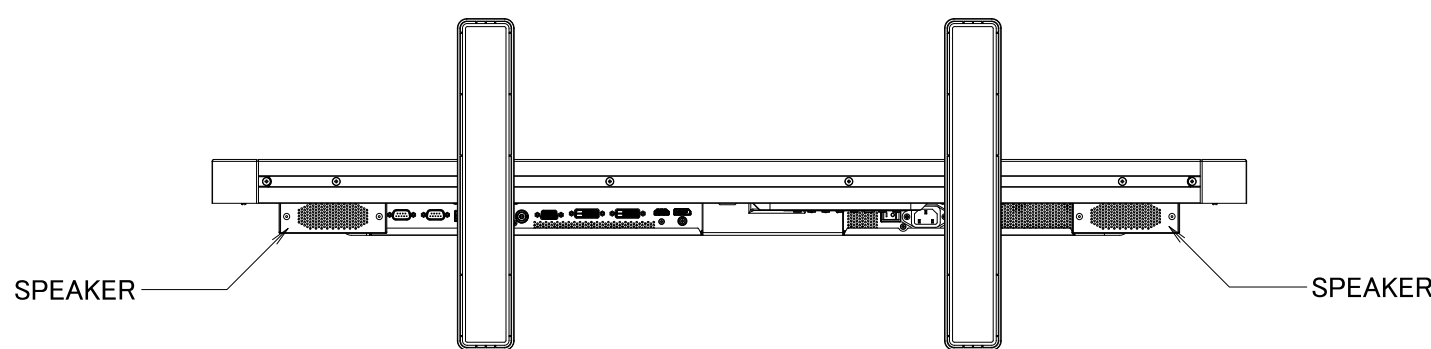
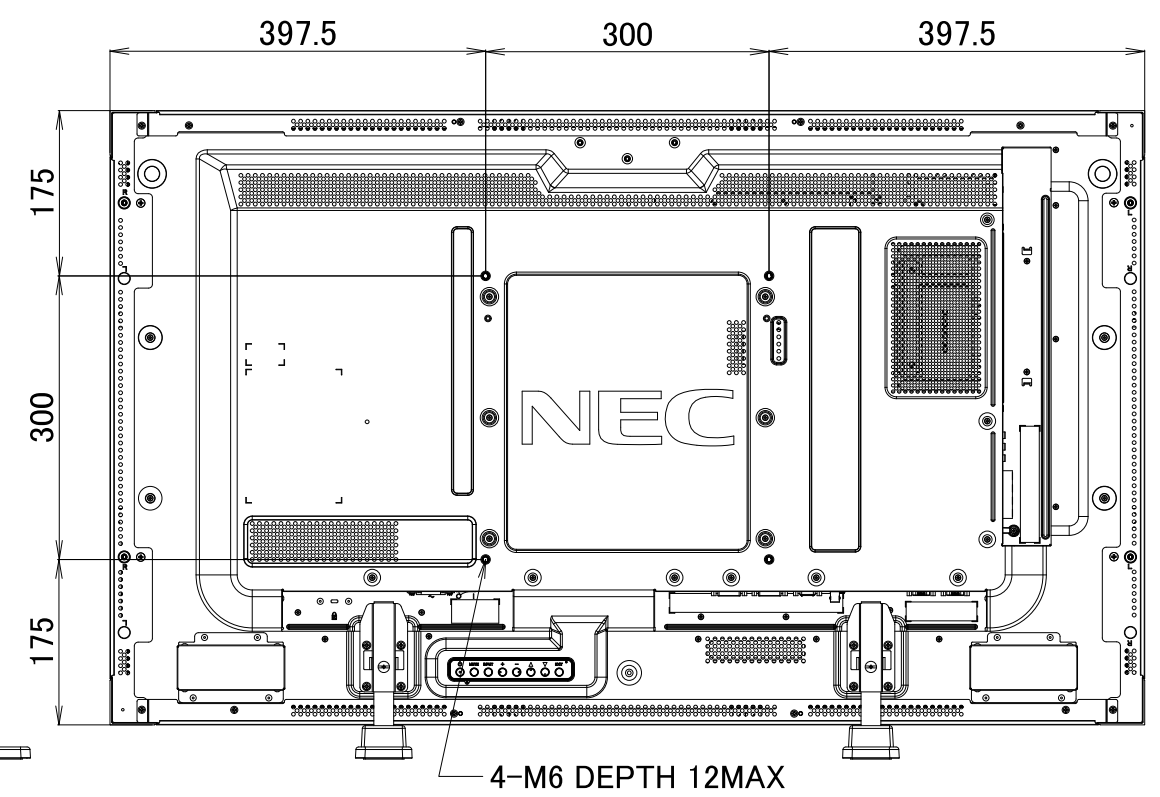
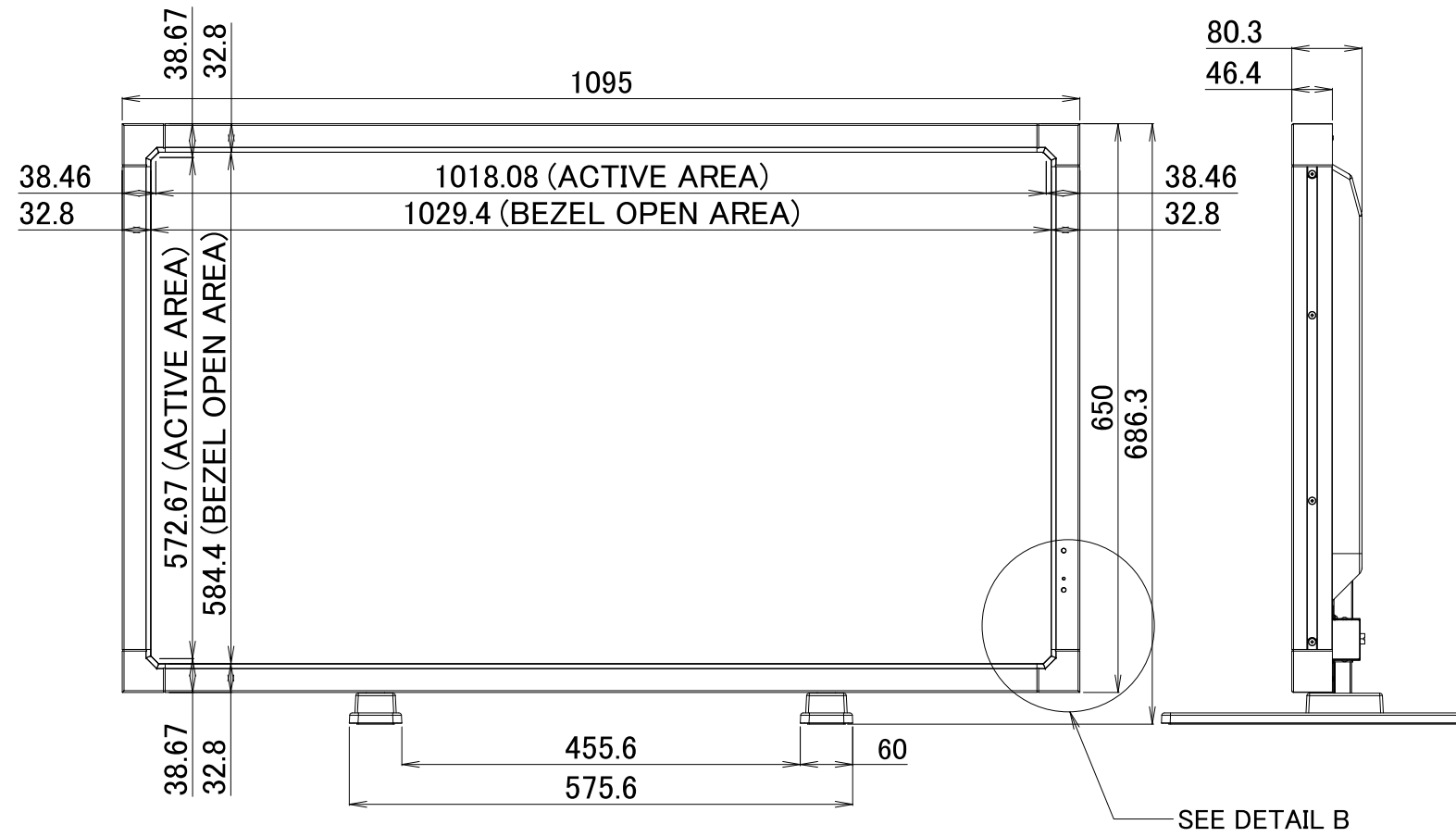
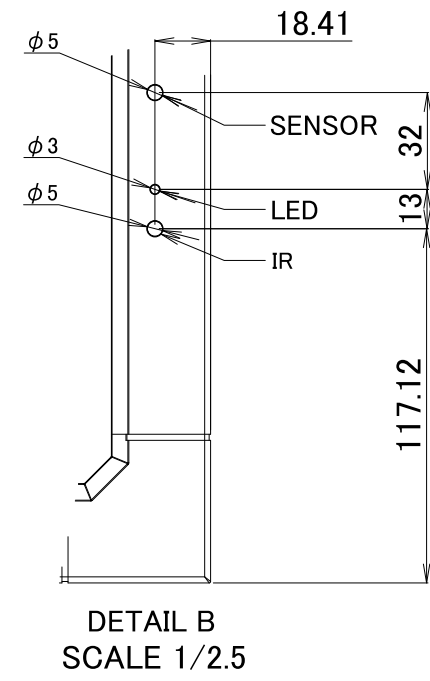
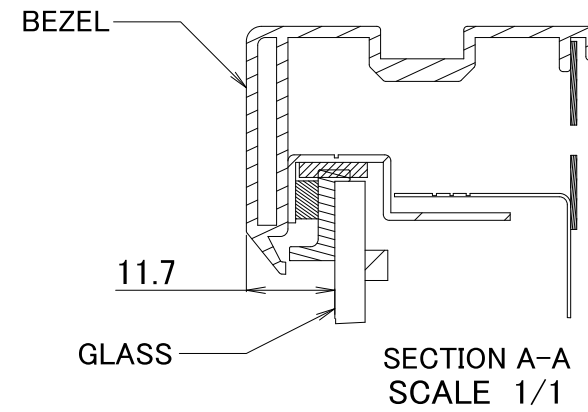
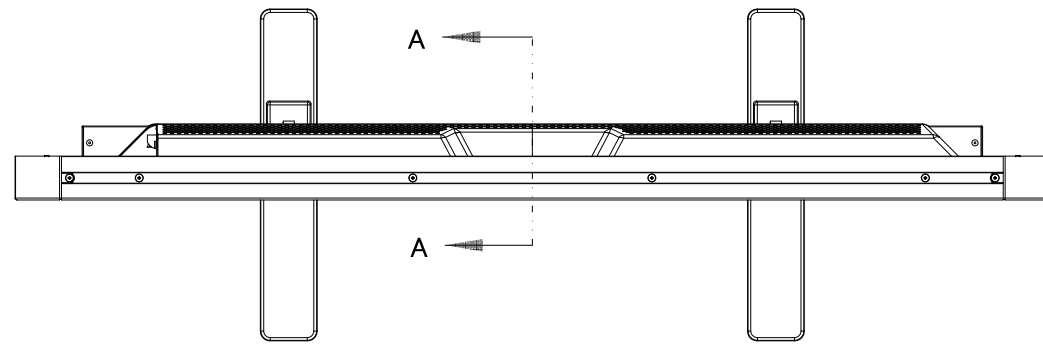


V463-TM OUTLINE WITH STAND



SIZE A3
SCALE 1/8
DIM mm
2013/12/06