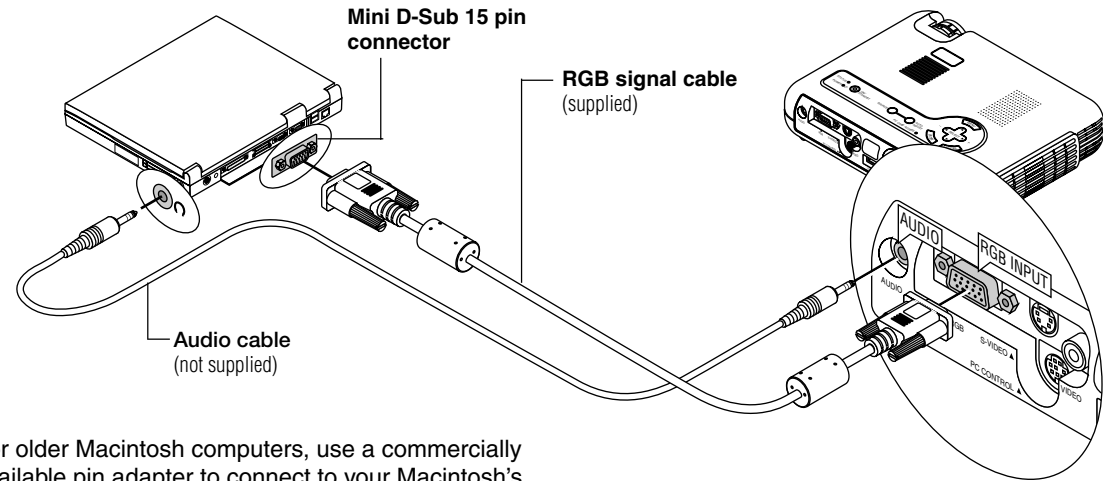


LT150Z Quick Connect Guide

NEC

Connections

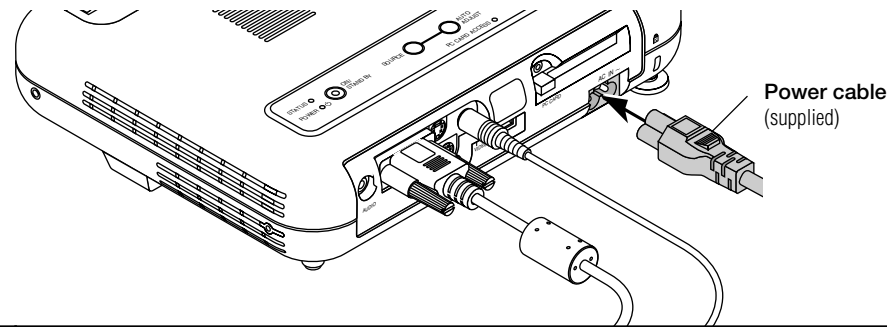
Step 1 Connect the supplied 15pin-15pin signal cable.



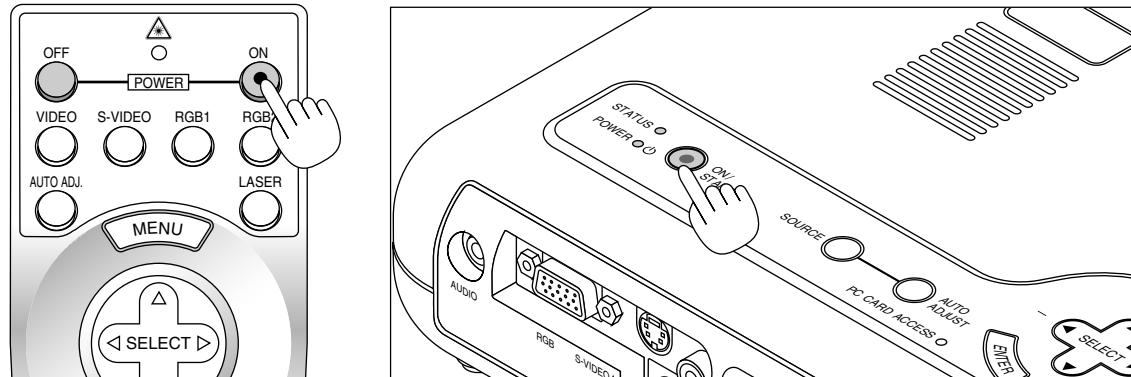
For older Macintosh computers, use a commercially available pin adapter to connect to your Macintosh's video port.

Power down all equipment before making connections.

Step 2 Connect the supplied power cable.



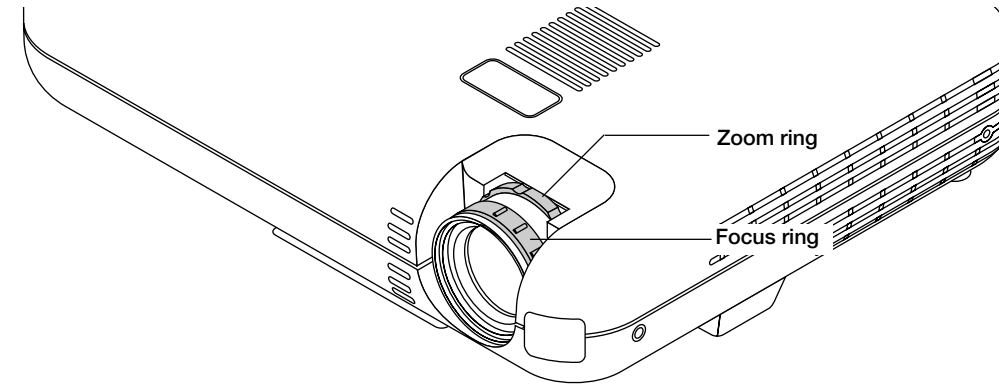
Step 3 Turn on the Projector.



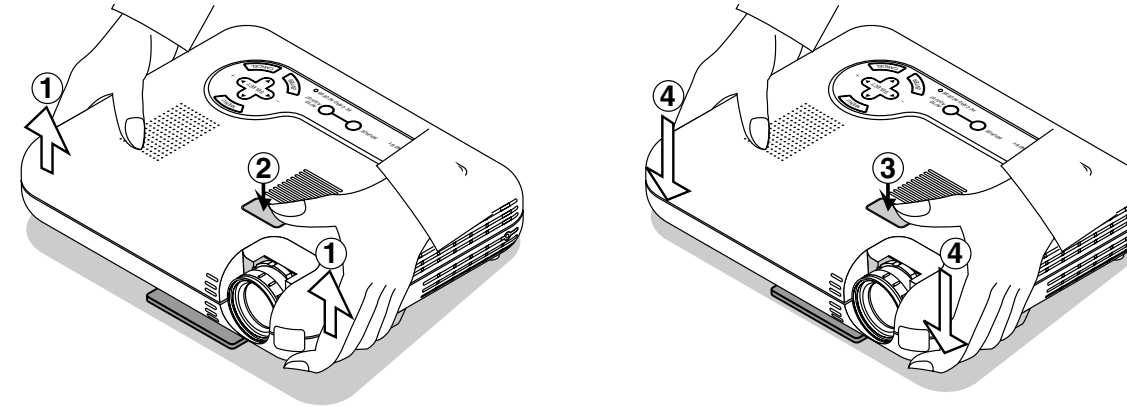
NOTE: To turn off the projector, press and hold the Power "ON/STAND BY" button for a minimum of two seconds.

Step 4 Set up the Projector.

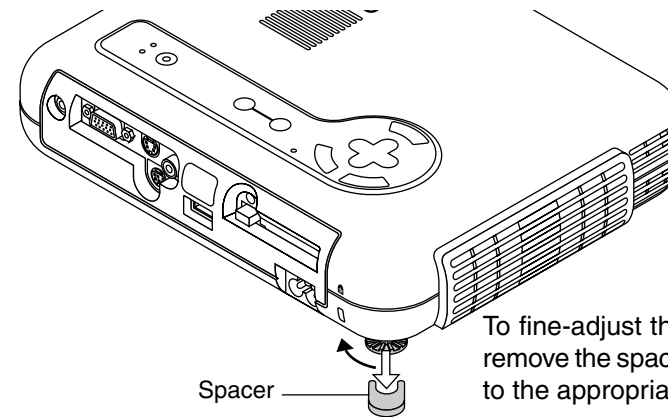
To adjust the projector's focus and zoom use the Focus ring and the Zoom ring on the lens.



Adjusting the Tilt Foot.

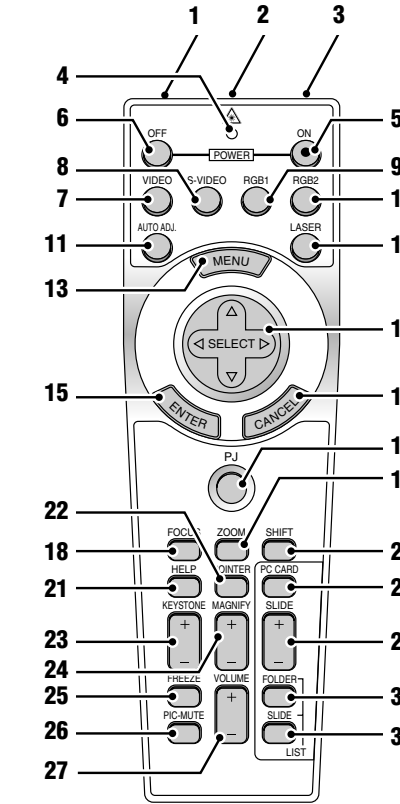


- Lift the front edge of the projector.
 - Press the Tilt button on the top of the projector to extend the Adjustable Tilt Foot.
 - Press and hold the Tilt button.
 - Lower the front edge of the projector to the desired height and release the Tilt button to lock the Adjustable Tilt Foot.
- If the projected image does not appear square to the screen then use keystone correction for proper adjustment. See page 28 or 34 of the supplied user's manual.



To fine-adjust the height of the rear foot, remove the spacer and rotate the rear foot to the appropriate height.

Remote Control Features



1. Infrared Transmitter
Direct the remote control toward the remote sensor on the projector cabinet.

2. Laser Pointer
Beams a laser light when "Laser" button is pressed.

3. Remote Jack
Not available on this model.

4. LED
Flashes when any button is pressed.

5. Power ON Button
If the main power is applied, you can use this button to turn your projector on.

6. Power OFF Button
If the main power is applied, you can use this button to turn your projector off.

NOTE: To turn off the projector, press and hold the POWER OFF button for a minimum of two seconds.

7. VIDEO Button
Press this button to select an NTSC, PAL, SECAM or NTSC4.43 compatible video source from a VCR, DVD player, laser disc player or document camera.

8. S-VIDEO Button
Press this button to select an S-Video source from a VCR.

9. RGB 1 Button
Press this button to select a video source from computer or component equipment connected to your RGB port.

10. RGB 2 Button
Not available on this model.

11. AUTO ADJ Button
Use this button to adjust an RGB source for an optimal picture. Some signals may not be displayed correctly or take time to switch between sources.

12. LASER Button
Press and hold this button to activate the laser pointer. When lit, you can use the laser to draw your audience's attention to a red dot that you can place on any object.

13. MENU Button
Displays the menu for various settings and adjustments.

14. SELECT (Mouse) Button
When you are in the Computer mode, these buttons work as a computer mouse. When you are in the Projector mode, which is indicated by lighting the P.J. button:

- ▲▼: Use these buttons to select the menu of the item you wish to adjust.
- ◀▶: Use these buttons to change the level of a selected menu item. A press of the ▶ button executes the selection. When the pointer is displayed, these ▲▼ buttons move the pointer.

15. ENTER (Left Click) Button
When you are in the Computer mode, this button works as the mouse left button.

When this button is pressed and held for a minimum of 1.5 seconds, the drag mode is set. When you are in the Projector mode, which is indicated by lighting the P.J. button: Use this button to enter your menu selection. It works the same way as the "Enter" button on the cabinet.

16. CANCEL (Right Click) Button
When you are in the Computer mode, this button works as the mouse right button.

When you are in the Projector mode, which is indicated by lighting the P.J. button: Press this button to exit "Menus". It works the same way as the "Cancel" button on the cabinet.

17. P.J. Button
Press this button to switch the Select, Cancel, and Enter buttons between the Projector mode (lit red) and the Computer mode. Press this button or any one of the Power ON/OFF, Menu, Help, Pointer, Magnify, PC Card, Folder List or Slide List buttons to switch to the Projector mode and the P.J. button lights red. To switch back to the Computer mode, press the P.J. button again.

18. FOCUS Button
Not available on this model.

19. ZOOM Button
Not available on this model.

20. SHIFT Button
Not available on this model.

21. HELP Button
Provides information about operation and adjustment procedures or the set information for the current menu or adjustment during menu operation.

22. POINTER Button
Press this button to display one of the eight pointers; press again to hide the pointer. You can move your pointer icon to the area you want on the screen using the Select button.

23. KEYSTONE (+) (-) Button
Press the (+) or (-) button to correct the keystone (trapezoidal) distortion, and make the image square.

24. MAGNIFY (+) (-) Button
Use this button to adjust the image size up to 400%. When the pointer is displayed, the image is magnified about the center of the pointer. When the pointer is not displayed, the image is magnified about the center of the screen. When the image is magnified, the pointer is changed to the magnifying icon.

25. FREEZE Button
This button will freeze a picture. Press again to resume motion.

26. PICTURE MUTE Button
This button turns off the image and sound for a short period of time. Press again to restore the image and sound. NOTE: When the menu is displayed, a press of this button mutes an image and sound without turning off the menu.

27. VOLUME (+) (-) Button
Press (+) to increase the volume and (-) to decrease it.

28. PC CARD Button
Press this button to select the PC Card Viewer source.

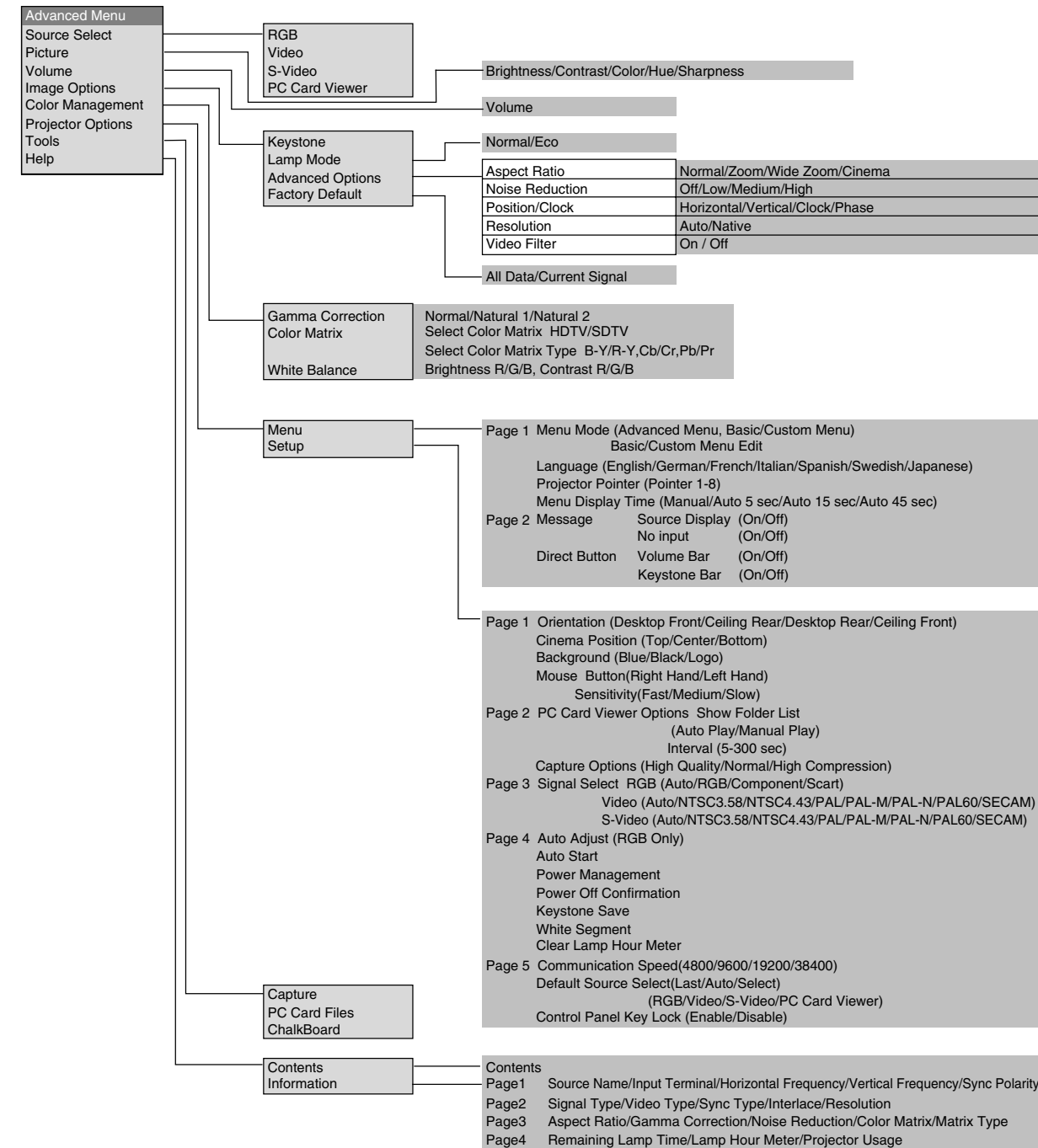
29. SLIDE (+) (-) Button
Press (+) to select the next folder or slide and (-) to select the previous folder or slide.

30. FOLDER LIST Button
Press this button to select PC Card Viewer source to display a list of folders included in a CompactFlash card.

31. SLIDE LIST Button
Press this button to select PC Card Viewer source to display a list of slides included in a CompactFlash card.

***NOTE:** The default is the Computer mode, which allows you to use the Select, Cancel, and Enter buttons as your computer mouse. When the POWER ON/OFF, MENU, HELP, POINTER, MAGNIFY, PC CARD, FOLDER LIST, or SLIDE LIST button is pressed, the P.J. button lights red to indicate that you are in the Projector mode. If no buttons are pressed within 10 seconds, the light goes out and the Projector mode is canceled.

Menu Tree



Troubleshooting

This section helps you resolve problems you may encounter while setting up or using the projector.

Power/Status Light Messages

Condition	Power Indicator	Status Indicator	Note
Standby	Steady orange	–	–
Cooling down	Blinking green	–	Blinks green for 90 seconds
Lamp in Normal mode	Steady green	–	–
Lamp in Eco mode	Steady green	Steady green	–
Retrying to turn on lamp	Steady green	Blinking orange	The projector retries 3 times at an interval of 15 sec for max. 45 sec)
One minute after lamp is turned on	Blinking green	No light in Normal mode / Steady green in Eco mode	–
Lamp has reached its end of life (Normal: 1000 hours or over) (Eco: 1500 hours or over)	Steady green	Steady red	Message appears on screen during 1000-1100 hours (1500-1600 hours: Eco mode) of lamp usage. The projector reaches its end of life. Please replace the lamp as soon as possible
Lamp life has reached its end of life (Normal: 1100 hours or over) (Eco: 1600 hours or over)	Steady orange	Steady red	The projector is in standby mode and cannot be turned on.
Lamp cover error	Steady orange	Blinking red (1 sec interval)	The projector is in standby mode and cannot be turned on.
Temperature error	Steady orange	Blinking red (4 sec interval)	The projector is in standby mode and cannot be turned on.
Fan error	Steady orange	Blinking red (8 sec interval)	The projector is in standby mode and cannot be turned on.
Lamp error	Steady orange	Blinking red (12 sec interval)	The projector is in standby mode and cannot be turned on.

Common Problems & Solutions

Problem	Check These Items
Does not turn on	<ul style="list-style-type: none"> Check that the power cable is plugged in and that the power button on the projector cabinet or the remote control is on. Ensure that the lamp cover is installed correctly. See page E-49. Check to see if the projector has overheated or the lamp usage exceeds 1100 hours (up to 1600 hours : Eco mode). If there is insufficient ventilation around the projector or if the room where you're presenting is particularly warm, move the projector to a cooler location.
No picture	<ul style="list-style-type: none"> Use the menu to select your source (Video, S-Video, RGB or PC Card Viewer). See page E-33. Ensure your cables are connected properly. Use menus to adjust the brightness and contrast. See page E-33 Remove the lens cap. Reset the settings or adjustments to factory preset levels using the Factory Default in the Adjustment Menu. See page E-35
Image isn't square to the screen	<ul style="list-style-type: none"> Reposition the projector to improve its angle to the screen. See page E-25 Use the Keystone in the Adjustment Menu to correct the trapezoid distortion. See page E-34
Picture is blurred	<ul style="list-style-type: none"> Adjust the focus. See page E-25 Reposition the projector to improve its angle to the screen. See page E-25 Ensure that the distance between the projector and screen is within the adjustment range of the lens. See page E-17
Image is scrolling vertically, horizontally or both	<ul style="list-style-type: none"> Use menus or Source button on the remote control or the cabinet to select the source you want to input.
Remote control does not work	<ul style="list-style-type: none"> Install new batteries. See page E-14. Make sure there are no obstacles between you and the projector. Stand within 22 feet (7 m) of the projector. See page E-14 Make sure that you are in the Projector mode and the PJ button lights in red. If not, press the PJ button.
Status indicator is lit or blinking	<ul style="list-style-type: none"> See the Status Light messages above.
Cross color in RGB mode	<ul style="list-style-type: none"> If Auto Adjust is off, turn it on. If Auto Adjust is on, turn it off and balance the image with the Position/Clock in the Image Options. See page E-35 or E-38

When using the PC Card Viewer function

Problem	Check These Items
No picture	<ul style="list-style-type: none"> Is "PC Card Viewer" selected from the Source menu? Is the CompactFlash memory card seated in the PC CARD slot completely? Are slide data stored in the CompactFlash memory card? Have the contents of the CompactFlash memory card been destroyed?
Part of a slide is not displayed	<ul style="list-style-type: none"> While an image with over 1024 × 768 dots is projected, several lines of information will be lost. Use the supplied software change the image to 1024 × 768 dots in size.
Contents of CompactFlash Card are damaged	<ul style="list-style-type: none"> Use a computer, etc., to repair the data.

For more information contact your dealer.