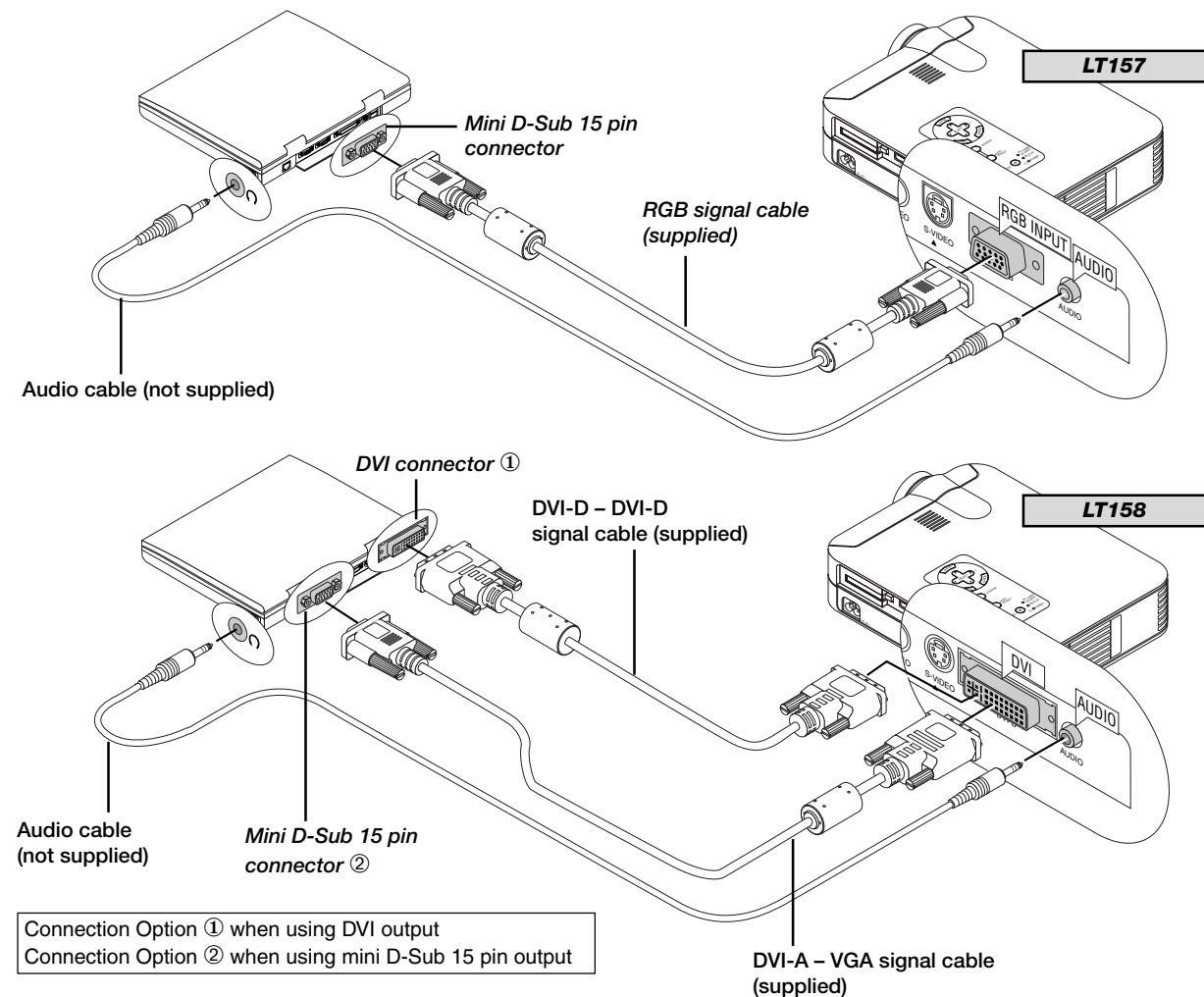
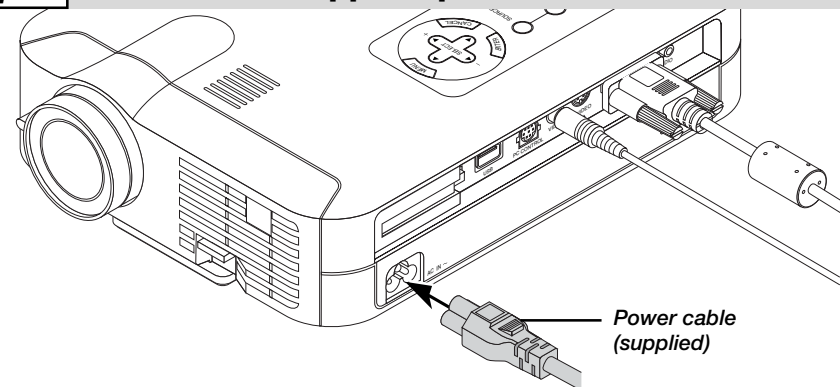


## Step 1 Connect the supplied signal cable.

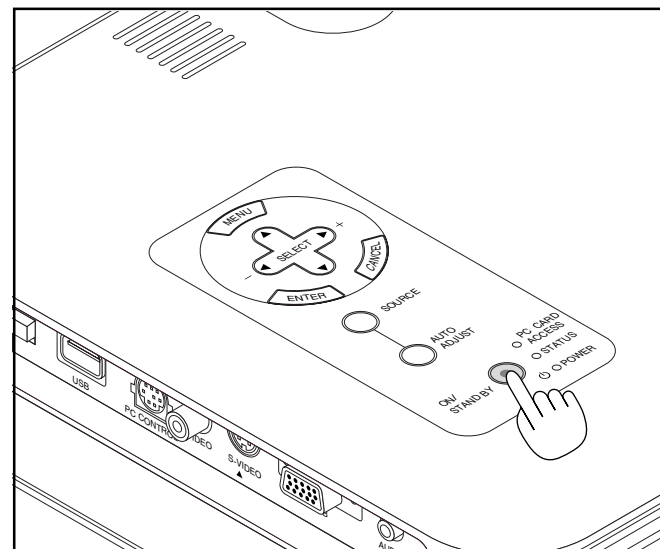


Always power down before you make any connections.

## Step 2 Connect the supplied power cable.



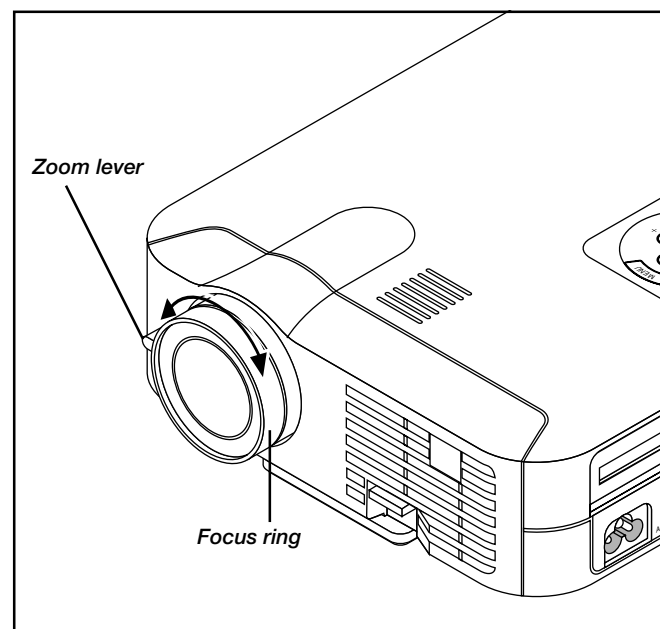
## Step 3 Turn on the projector.



**NOTE:** To turn off the projector, press and hold the Power (ON/STAND BY) button for a minimum of two seconds.

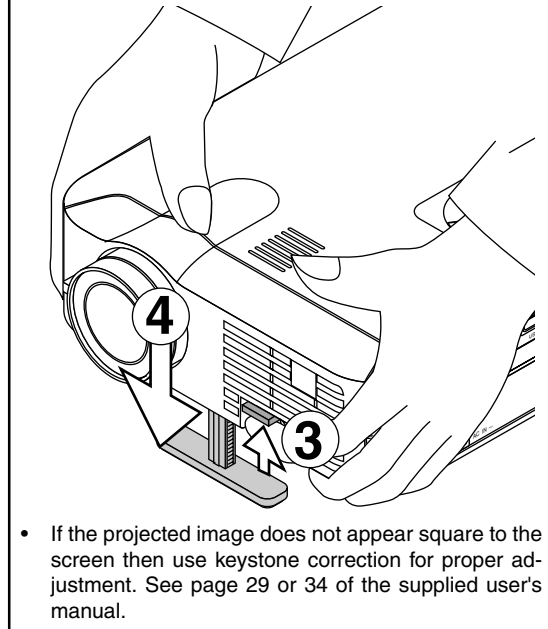
## Step 4 Set up the Projector

To adjust the projector's focus or to zoom in and out, use the Focus ring and Zoom lever on the lens.



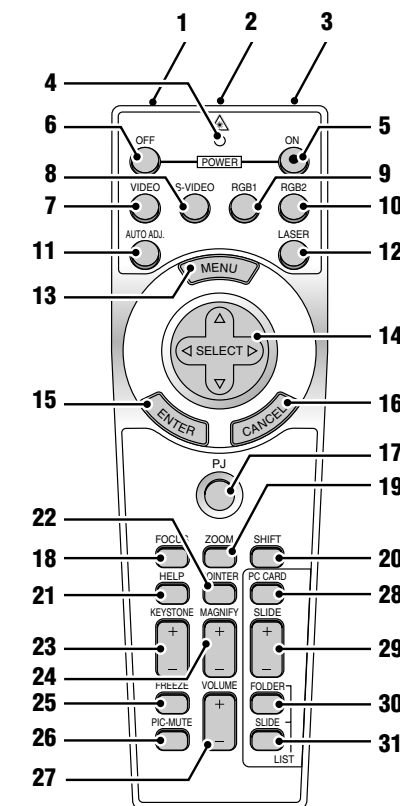
## Adjusting the Tilt Foot

- Lift the front edge of the projector.
- Press the Tilt button on the front of the projector to extend the Adjustable Tilt Foot.
- Press and hold the Tilt button.
- Lower the front edge of the projector to the desired height and release the Tilt button to lock the Adjustable Tilt Foot.



- If the projected image does not appear square to the screen then use keystone correction for proper adjustment. See page 29 or 34 of the supplied user's manual.

# Remote Control Features



- Infrared Transmitter**  
Direct the remote control toward the remote sensor on the projector cabinet.
- Laser Pointer**  
Beams a laser light when "Laser" button is pressed.
- Remote Jack**  
Not available on this model.
- LED**  
Flashes when any button is pressed.
- Power ON Button**  
If the main power is applied, you can use this button to turn your projector on.
- Power OFF Button**  
If the main power is applied, you can use this button to turn your projector off.  
**NOTE:** To turn off the projector, press and hold the POWER OFF button for a minimum of two seconds.
- VIDEO Button**  
Press this button to select an NTSC, PAL, SECAM or NTSC4.43 compatible video source from a VCR, DVD player, laser disc player or document camera.
- S-VIDEO Button**  
Press this button to select an S-Video source from a VCR.
- RGB 1 Button**  
Press this button to select a video source from a computer or component equipment connected to your RGB port (DVI digital on LT158).

- RGB 2 Button**  
Not available on the LT157.  
For LT158: Press this button to select a DVI analog signal from a computer.
- AUTO ADJ Button**  
Use this button to adjust an RGB source for an optimal picture. Some signals may not be displayed correctly or take time to switch between sources.
- LASER Button**  
Press and hold this button to activate the laser pointer. When lit, you can use the laser to draw your audience's attention to a red dot that you can place on any object.
- MENU Button**  
Displays the menu for various settings and adjustments.
- SELECT (▲▼▶) (Mouse) Button**  
When you are in the Computer mode, these buttons work as a computer mouse.  
When you are in the Projector mode, which is indicated by lighting the PJ button:  
▲▼: Use these buttons to select the menu of the item you wish to adjust.  
▶: Use these buttons to change the level of a selected menu item.  
A press of the ▶ button executes the selection.  
When the pointer is displayed, these ▲▼▶ buttons move the pointer.
- ENTER (Left Click) Button**  
When you are in the Computer mode, this button works as the mouse left button.  
When this button is pressed and held for a minimum of 1.5 seconds, the drag mode is set.  
When you are in the Projector mode, which is indicated by lighting the PJ button:  
Use this button to enter your menu selection. It works the same way as the "Enter" button on the cabinet.
- CANCEL (Right Click) Button**  
When you are in the Computer mode, this button works as the mouse right button.  
When you are in the Projector mode, which is indicated by lighting the PJ button:  
Press this button to exit "Menus". It works the same way as the "Cancel" button on the cabinet.
- PJ Button**  
Press this button to switch the Select, Cancel, and Enter buttons between the Projector mode (lit red) and the Computer mode. Press this button or any one of the Power ON/OFF, Menu, Help, Pointer, Magnify, PC Card, Folder List or Slide List buttons to switch to the Projector mode and the PJ button lights red. To switch back to the Computer mode, press the PJ button again.
- FOCUS Button**  
Not available on this model.
- ZOOM Button**  
Not available on this model.
- SHIFT Button**  
Not available on this model.

**21. HELP Button**  
Provides information about operation and adjustment procedures or the set information for the current menu or adjustment during menu operation.

**22. POINTER Button**  
Press this button to display one of the eight pointers; press again to hide the pointer. You can move your pointer icon to the area you want on the screen using the Select button.

**23. KEYSTONE (+) (-) Button**  
Press the (+) or (-) button to correct the keystone (trapezoidal) distortion, and make the image square.

**24. MAGNIFY (+) (-) Button**  
Use this button to adjust the image size up to 400%.  
When the pointer is displayed, the image is magnified about the center of the pointer. When the pointer is not displayed, the image is magnified about the center of the screen.  
When the image is magnified, the pointer is changed to the magnifying icon.

**25. FREEZE Button**  
This button will freeze a picture. Press again to resume motion.

**26. PICTURE MUTE Button**  
This button turns off the image and sound for a short period of time. Press again to restore the image and sound.  
**NOTE:** When the menu is displayed, a press of this button mutes an image and sound without turning off the menu.

**27. VOLUME (+) (-) Button**  
Press (+) to increase the volume and (-) to decrease it.

**28. PC CARD Button**  
Press this button to select the PC Card Viewer source.

**29. SLIDE (+) (-) Button**  
Press (+) to select the next folder or slide and (-) to select the previous folder or slide.

**30. FOLDER LIST Button**  
Press this button to select PC Card Viewer source to display a list of folders included in a CompactFlash card.

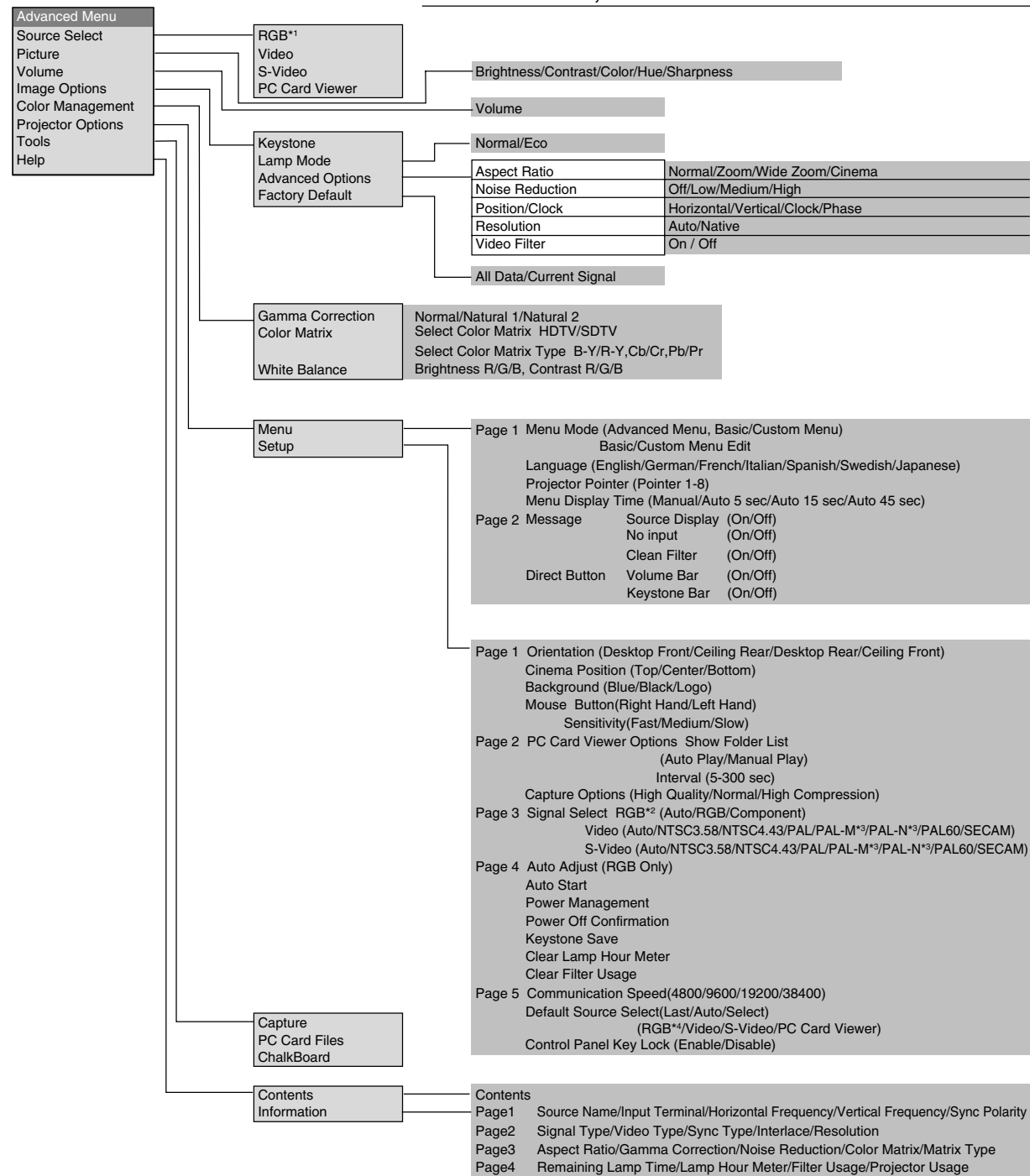
**31. SLIDE LIST Button**  
Press this button to select PC Card Viewer source to display a list of slides included in a CompactFlash card.

**\*NOTE:** The default is the Computer mode, which allows you to use the Select, Cancel, and Enter buttons as your computer mouse. When the POWER ON/OFF, MENU, HELP, POINTER, MAGNIFY, PC CARD, FOLDER LIST, or SLIDE LIST button is pressed, the PJ button lights red to indicate that you are in the Projector mode. If no buttons are pressed within 10 seconds, the light goes out and the Projector mode is canceled.

# Menu Tree

**NOTE:**

- 1) When menu items are not available, they are indicated in white.
- 2) **For LT158:** When DVI (DIGITAL) is selected, making any adjustment executes the Auto Adjust feature. The AUTO ADJUST button on the remote control is also available. You can adjust the horizontal and the vertical position for DVI digital signal but cannot save those adjustments.



**NOTE:**

- \*1 On LT158, "DVI (DIGITAL)" and "DVI (ANALOG)" are displayed in the Source Select submenu.
- \*2 On LT158, "DVI (ANALOG)" is displayed in the Signal Select on Page 3.
- \*3 LT158 Only.
- \*4 On LT158, "DVI (DIGITAL)" and "DVI (ANALOG)" can be also selected.

# Troubleshooting

This section helps you resolve problems you may encounter while setting up or using the projector.

## Power/Status Light Messages

Condition	Power Indicator	Status Indicator	Note
Standby	Steady orange	–	–
Cooling down	Blinking green	–	Blinks green for 90 seconds
Lamp in Normal mode	Steady green	–	–
Lamp in Eco mode	Steady green	Steady green	–
Retrying lamp turn on	Steady green	Blinking orange	The projector retries 3 times at an interval of 15 sec for max. 45 sec)
One minute after lamp is turned on	Blinking green	No light in Normal mode / Steady green in Eco mode	–
Lamp has reached its end of life (Normal: 1500 hours or over) (Eco: 2500 hours or over)	Steady green	Steady red	Message appears on screen during 1500-1600 hours (2500-2600 hours: Eco mode) of lamp usage. The projector reaches its end of life. Please replace the lamp as soon as possible
Lamp life has reached its end of life (Normal: 1600 hours or over) (Eco: 2600 hours or over)	Steady orange	Steady red	The projector is in standby mode and cannot be turned on.
Lamp or filter cover error	Steady orange	Blinking red (1 sec interval)	The projector is in standby mode and cannot be turned on.
Temperature error	Steady orange	Blinking red (4 sec interval)	The projector is in standby mode and cannot be turned on.
Fan error	Steady orange	Blinking red (8 sec interval)	The projector is in standby mode and cannot be turned on.
Lamp error	Steady orange	Blinking red (12 sec interval)	The projector is in standby mode and cannot be turned on.

## Common Problems & Solutions

Problem	Check These Items
Does not turn on	<ul style="list-style-type: none"> <li>• Check that the power cable is plugged in and that the power button on the projector cabinet or the remote control is on.</li> <li>• Ensure that the lamp cover or filter cover is installed correctly. See pages E-48 and E-49.</li> <li>• Check to see if the projector has overheated or the lamp usage exceeds 1600 hours (up to 2600 hours : Eco mode). If there is insufficient ventilation around the projector or if the room where you're presenting is particularly warm, move the projector to a cooler location.</li> </ul>
No picture	<ul style="list-style-type: none"> <li>• Use the menu to select your source [Video, S-Video, RGB (DVI digital or DVI analog on LT158) or PC Card Viewer]. See pages E-18 and E-33.</li> <li>• Ensure your cables are connected properly.</li> <li>• Use menus to adjust the brightness and contrast. See page E-33</li> <li>• Remove the lens cap.</li> <li>• Reset the settings or adjustments to factory preset levels using the Factory Default in the Adjustment Menu. See page E-35</li> </ul>
Image isn't square to the screen	<ul style="list-style-type: none"> <li>• Reposition the projector to improve its angle to the screen. See page E-25</li> <li>• Use the Keystone to correct the trapezoid distortion. See page E-29 or E-34</li> </ul>
Picture is blurred	<ul style="list-style-type: none"> <li>• Adjust the focus. See page E-25</li> <li>• Reposition the projector to improve its angle to the screen. See page E-25</li> <li>• Ensure that the distance between the projector and screen is within the adjustment range of the lens. See page E-16</li> </ul>
Image is scrolling vertically, horizontally or both	<ul style="list-style-type: none"> <li>• Use menus or Source button on the remote control or the cabinet to select the source you want to input.</li> </ul>
Remote control does not work	<ul style="list-style-type: none"> <li>• Install new batteries. See page E-13</li> <li>• Make sure there are no obstacles between you and the projector.</li> <li>• Stand within 22 feet (7 m) of the projector. See page E-13</li> <li>• Make sure that you are in the Projector mode and the PJ button lights in red. If not, press the PJ button.</li> </ul>
Status indicator is lit or blinking	<ul style="list-style-type: none"> <li>• See the Power/Status Light messages above.</li> </ul>
Cross color in RGB mode	<ul style="list-style-type: none"> <li>• If Auto Adjust is off, turn it on. If Auto Adjust is on, turn it off and balance the image with the Position/Clock in the Image Options. See page E-35 or E-38</li> </ul>

## When using the PC Card Viewer function

Problem	Check These Items
No picture	<ul style="list-style-type: none"> <li>• Is "PC Card Viewer" selected from the Source menu?</li> <li>• Is the CompactFlash memory card seated in the PC CARD slot completely?</li> <li>• Is slide data stored in the CompactFlash memory card?</li> <li>• Have the contents of the CompactFlash memory card been destroyed?</li> </ul>
Part of a slide is not displayed	<ul style="list-style-type: none"> <li>• While an image with over 1024 × 768 dots is projected, several lines of information will be lost. Use the supplied software to change the image to 1024 × 768 dots in size.</li> </ul>
Contents of CompactFlash Card are damaged	<ul style="list-style-type: none"> <li>• Use a computer, etc., to repair the data.</li> </ul>

For more information contact your dealer.