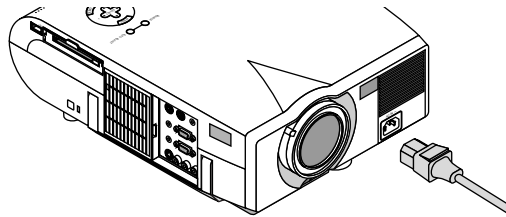


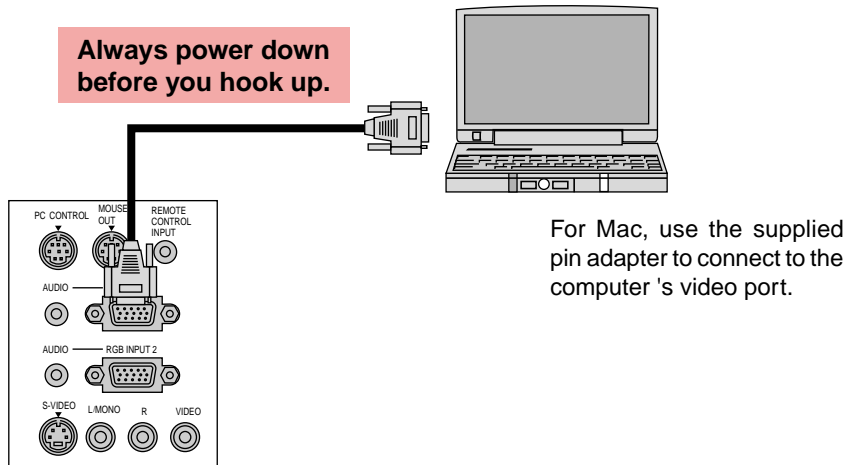
Quick Connect Guide

MultiSync MT Series LCD Projectors

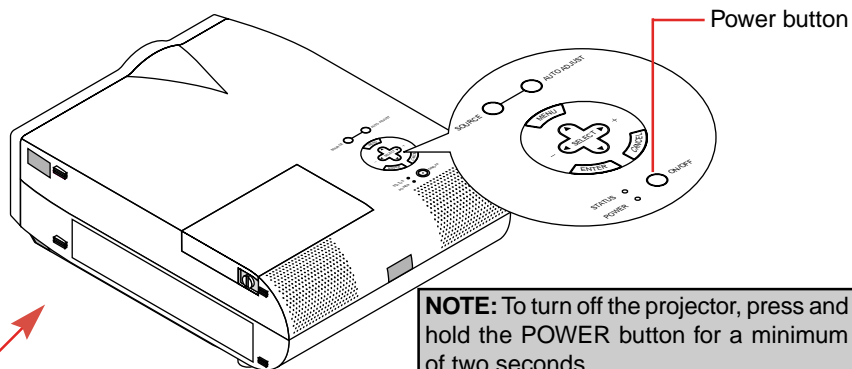
Step 1 Connect the supplied power cable.



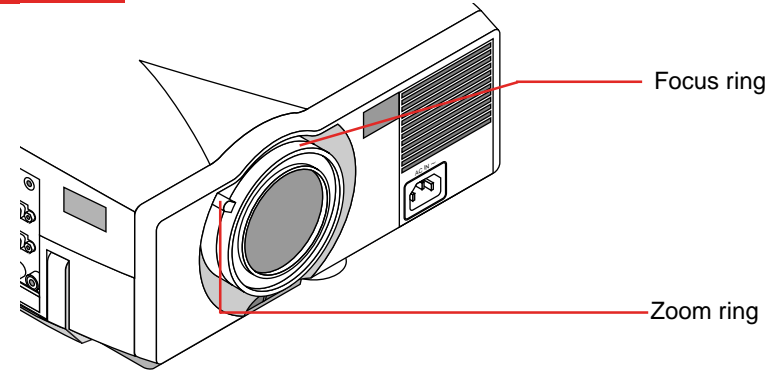
Step 2 Connect the supplied 15pin-15pin signal cable.



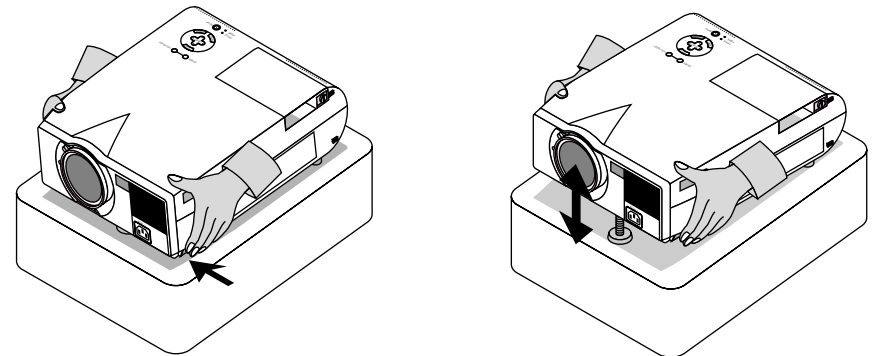
Step 3 Turn on the projector.



Step 4 Set up the Projector

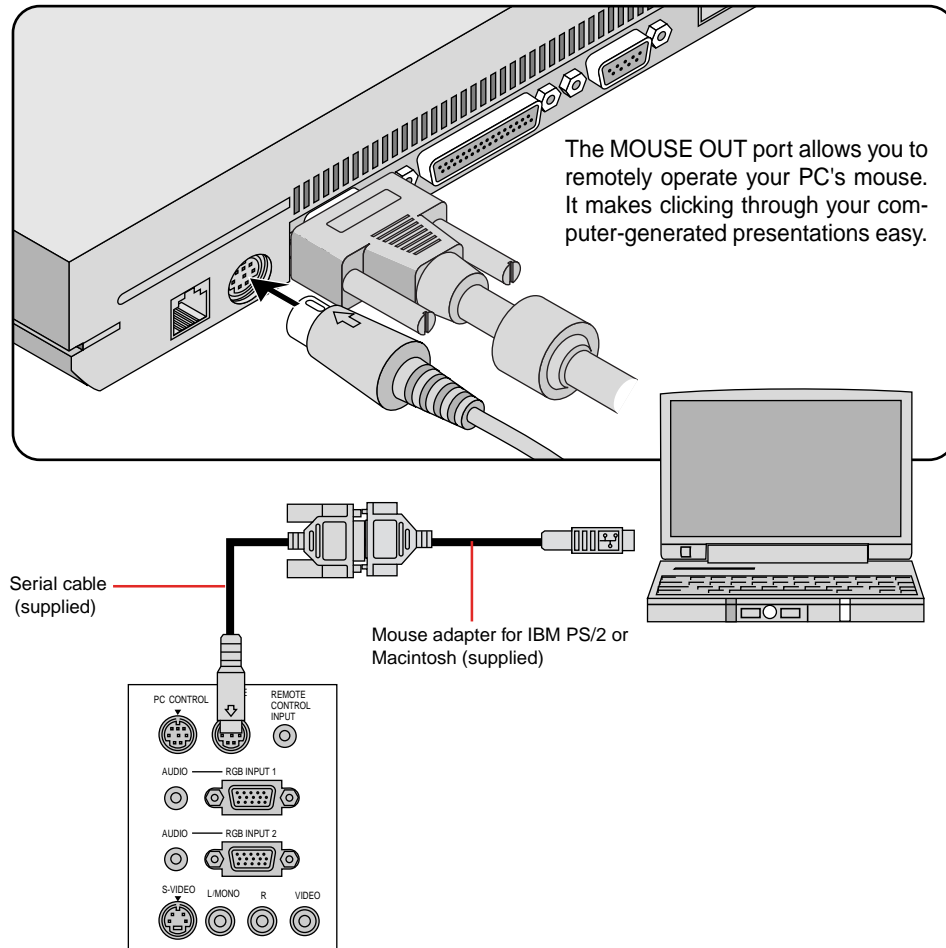


To adjust the projector's focus or to zoom in and out, use the Focus/Zoom ring on the lens.



If necessary, adjust the front foot to properly position the projected image on the screen. If the projected image does not appear square to the screen then use keystone correction for proper adjustment.

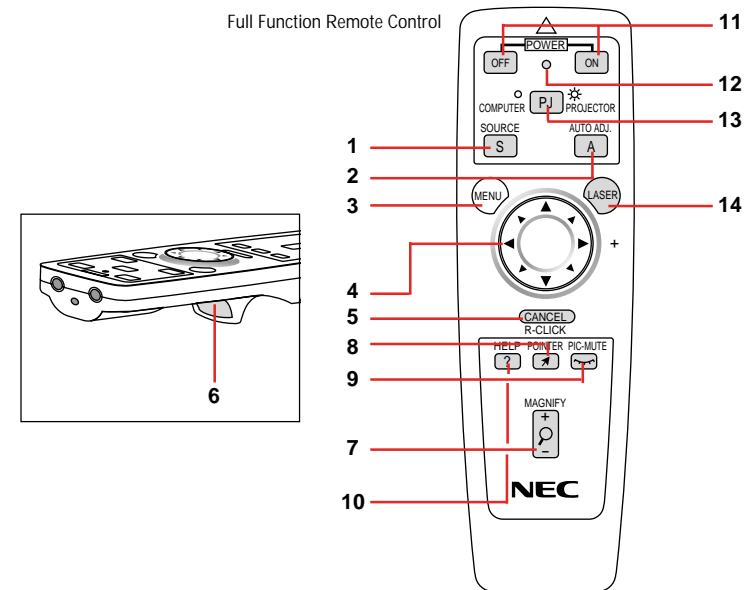
Connect the Remote Mouse



1. Make sure that both the computer and projector are turned off.
2. Connect the cables as shown in the illustration.
3. Turn on the projector.
4. Turn on the computer.

NOTE: To reactivate your computer's on-board mouse control, power the computer down and unplug the serial cable.

Remote Control Features



- 1 **SOURCE** Selects video source from VCR, laserdisc, computer, DVD player or PC card. (RGB-VIDEO-S-VIDEO-VIEWER).
- 2 **AUTO ADJUST** Press to adjust H/V position, Pixel and resolution of the current image for the optimal.
- 3 **MENU** Calls up On-Screen Menu so you can adjust and set the image.
- 4 **SELECT** Selects an item or option.
MOUSE PAD for full function remote Works as a mouse to select sub menus, adjust levels. Left click (underneath) works as "ENTER".
- 5 **CANCEL/R-CLICK** Use to exit menus or adjustment.
- 6 **ENTER/ Left Click** Press to execute selected items. The Left Click button is underneath.
- 7 **MAGNIFY** Use to magnify image up to 400%.
- 8 **POINTER** Points to an area on screen to be magnified.
- 9 **PICTURE MUTE** Turns off the image and the sound for a short period of time. Press again to restore the image and sound.
- 10 **HELP** Displays information for the current menu or how to use the menu.
- 11 **POWER ON/OFF** Turns the projector on or off.
- 12 **LED** Flashes when any button is pressed.
- 13 **COMPUTER/PJ SELECT** Select COMPUTER if you want to use the remote mouse pad as your PC's mouse.
- 14 **LASER** Press and hold to activate red laser pointer.

* Some buttons on the remote control perform the same functions as the corresponding buttons on the projector cabinet. The remaining buttons are on the remote control unit only.

See your User's Manual for more information on features and operation.