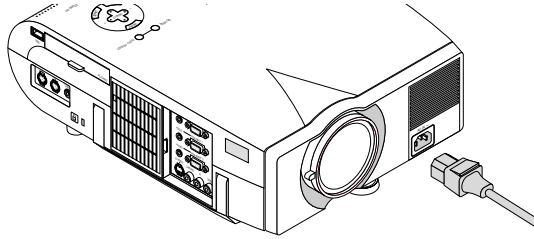


Quick Connect Guide

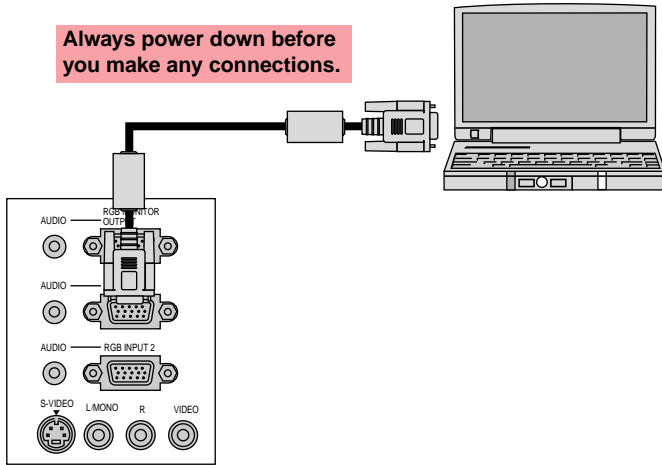
MultiSync MT Series LCD Projectors

Step 1 Connect the supplied power cable.

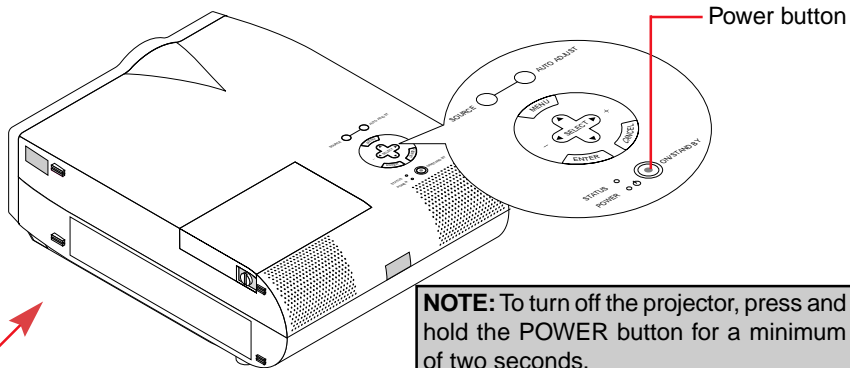


Step 2 Connect the supplied 15pin-15pin signal cable.

Always power down before you make any connections.

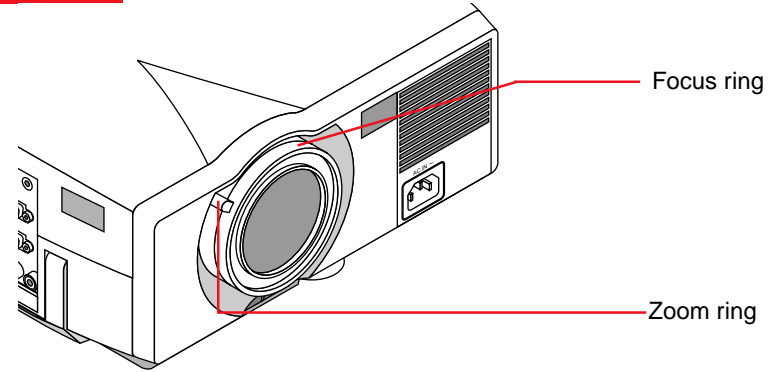


Step 3 Turn on the projector.

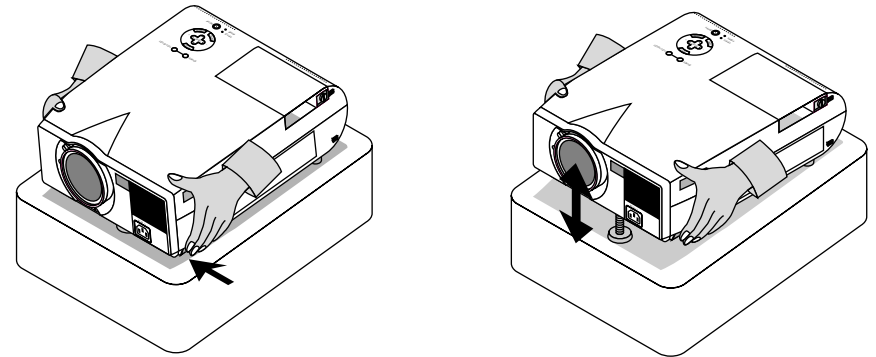


NOTE: To turn off the projector, press and hold the POWER button for a minimum of two seconds.

Step 4 Set up the Projector

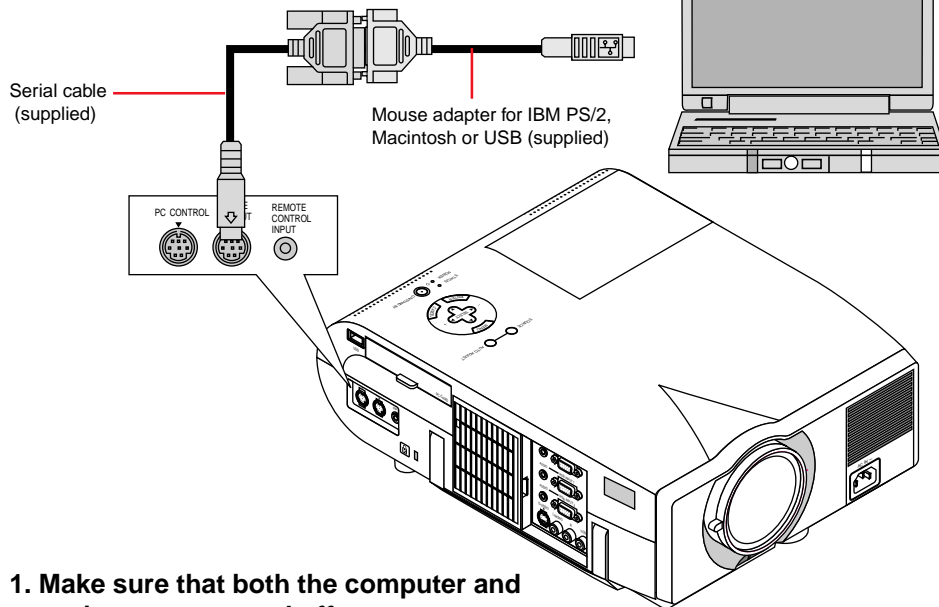
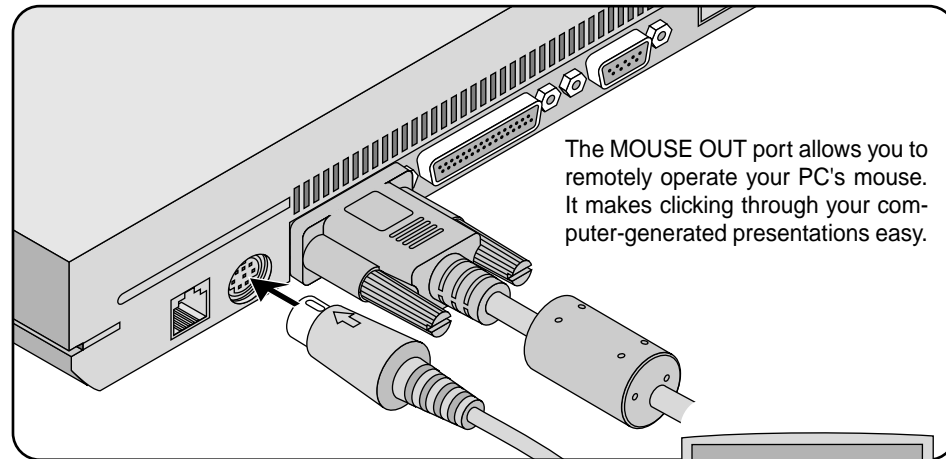


To adjust the projector's focus or to zoom in and out, use the Focus/Zoom ring on the lens.



If necessary, adjust the front foot to properly position the projected image on the screen. If the projected image does not appear square to the screen then use keystone correction for proper adjustment.

Connect the Remote Mouse



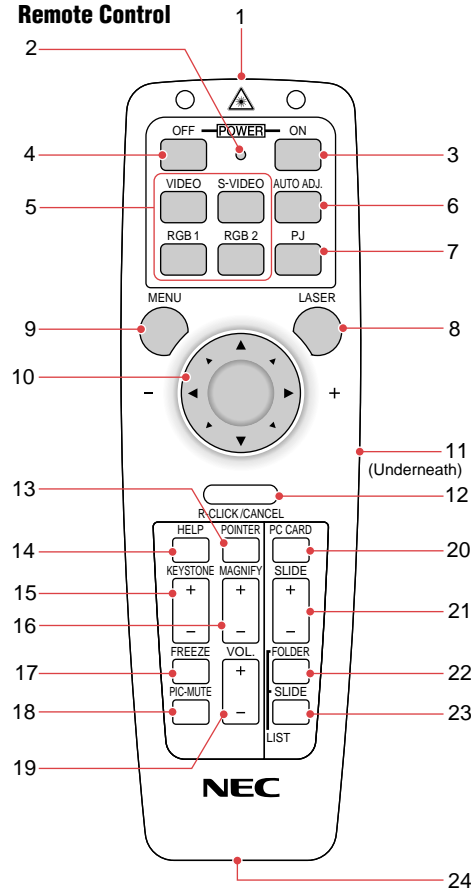
1. Make sure that both the computer and projector are turned off.
2. Connect the cables as shown in the illustration.
3. Turn on the projector.
4. Turn on the computer.

NOTE: To reactivate your computer's on-board mouse control, power the computer down and unplug the serial cable.

Remote Control Features

1. **Laser Pointer**
Beams a laser light when "Laser" button is pressed.
2. **LED**
Flashes when any button is pressed.
3. **Power On Button**
If the main power is applied, you can use this button to turn your projector on.
4. **Power Off Button**
If the main power is applied, you can use this button to turn your projector off.
- NOTE:** To turn off the projector, press and hold the POWER OFF button for a minimum of two seconds.
5. **Source Buttons**
Selects video source from VCR, laserdisc, computer, DVD player.
6. **Auto Adjust Button (RGB only)**
Adjusts the current image for optimal H/V position, Pixel settings and resolutions.
7. **PJ Button**
Press this button if you want to use the Mouse (▲▼◀▶), Cancel/Right Click, and Enter/Left Click buttons as your PC's.
8. **Laser Button**
Press and hold this button to activate the laser pointer.
9. **Menu Button**
Displays the menu for various settings and adjustments.
10. **Mouse (▲▼◀▶) / (+) (-) Button**
When you are in the Computer mode, these buttons work as a computer mouse.
11. **Enter / Left Click Button**
When you are in the Computer mode, this button works as the mouse left button.
12. **Cancel/ Right Click Button**
When you are in the Computer mode, this button works as the mouse right button.
13. **Pointer Button**
Points to an area on screen to be magnified.
14. **Help Button**
Displays information for the current menu or how to use the menu.

Remote Control



15. **Keystone (+) (-) Button**
Corrects for keystone (trapezoidal) distortion to make the image square.
16. **Magnify (+) (-) Button**
Magnifies image size up to 400%.
17. **Freeze Button**
Freezes a picture. Press again to resume motion.
18. **Picture Mute Button**
Turns off the image and sound for a short period of time. Press again to restore the image and sound.
19. **Volume (+) (-) Button**
Adjusts volume.
20. **PC Card Button**
Displays slides from PC card in projector's PC card slot.
21. **Slide (+) (-) Button**
Selects the next folder or slide and the previous folder or slide.
22. **Folder List Button**
Selects PC Card Viewer source to display a list of folders included in the PC card.
23. **Slide List Button**
Selects PC Card Viewer source to display a list of slides included in the PC card.
24. **Remote Jack**
Connect your remote control cable here for wired operation.

See pages 10 to 12 of your User's Manual for more information on features and operation.