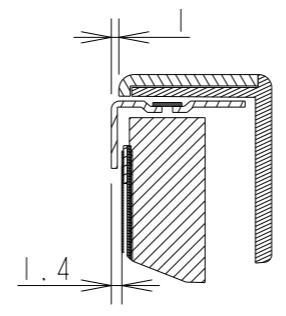
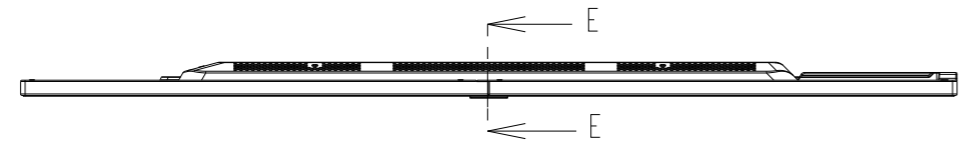
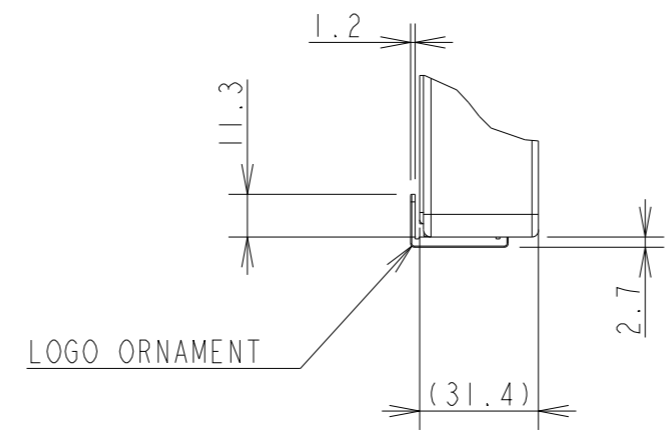
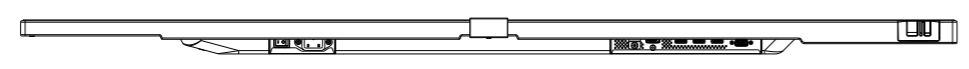
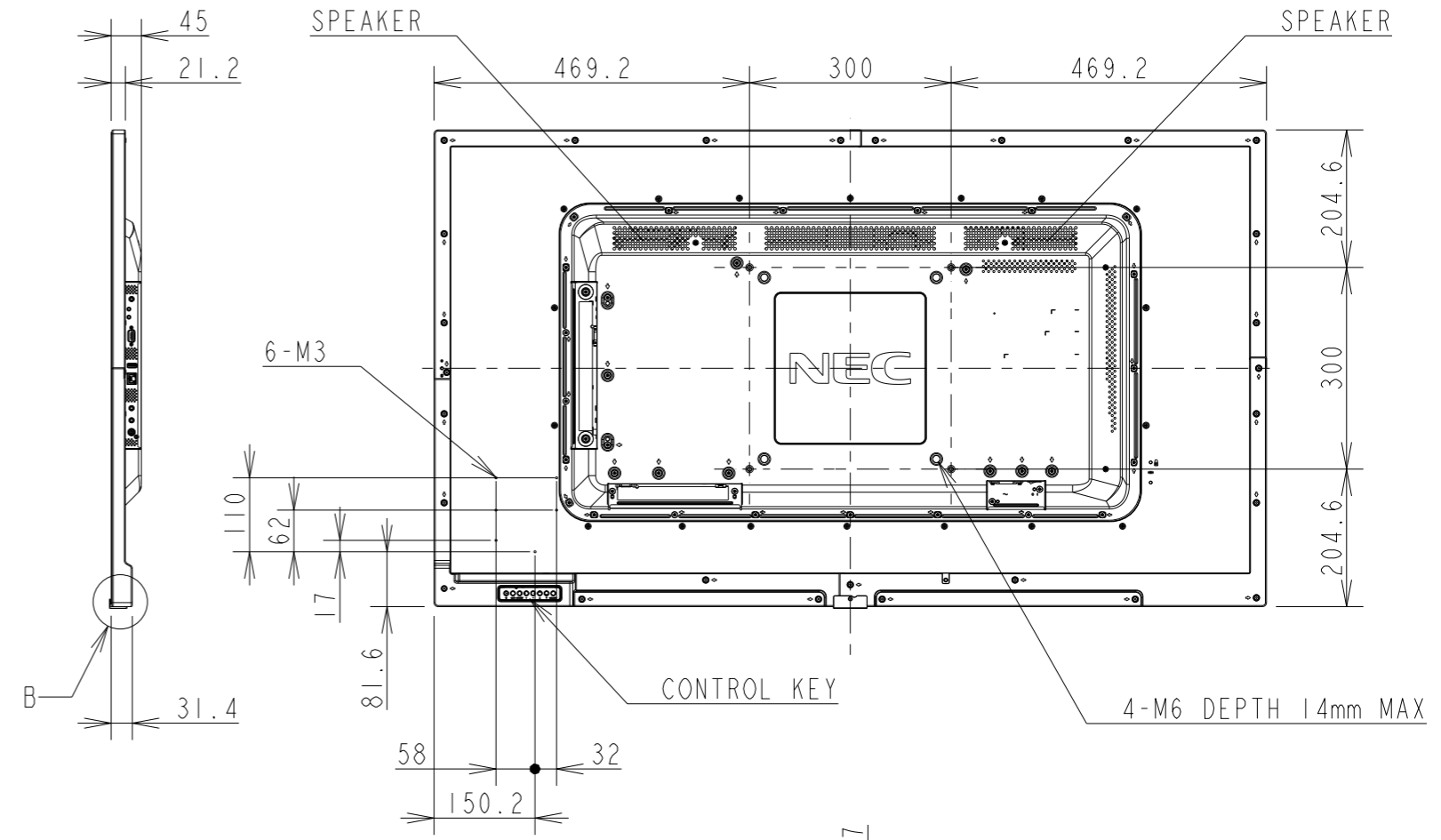
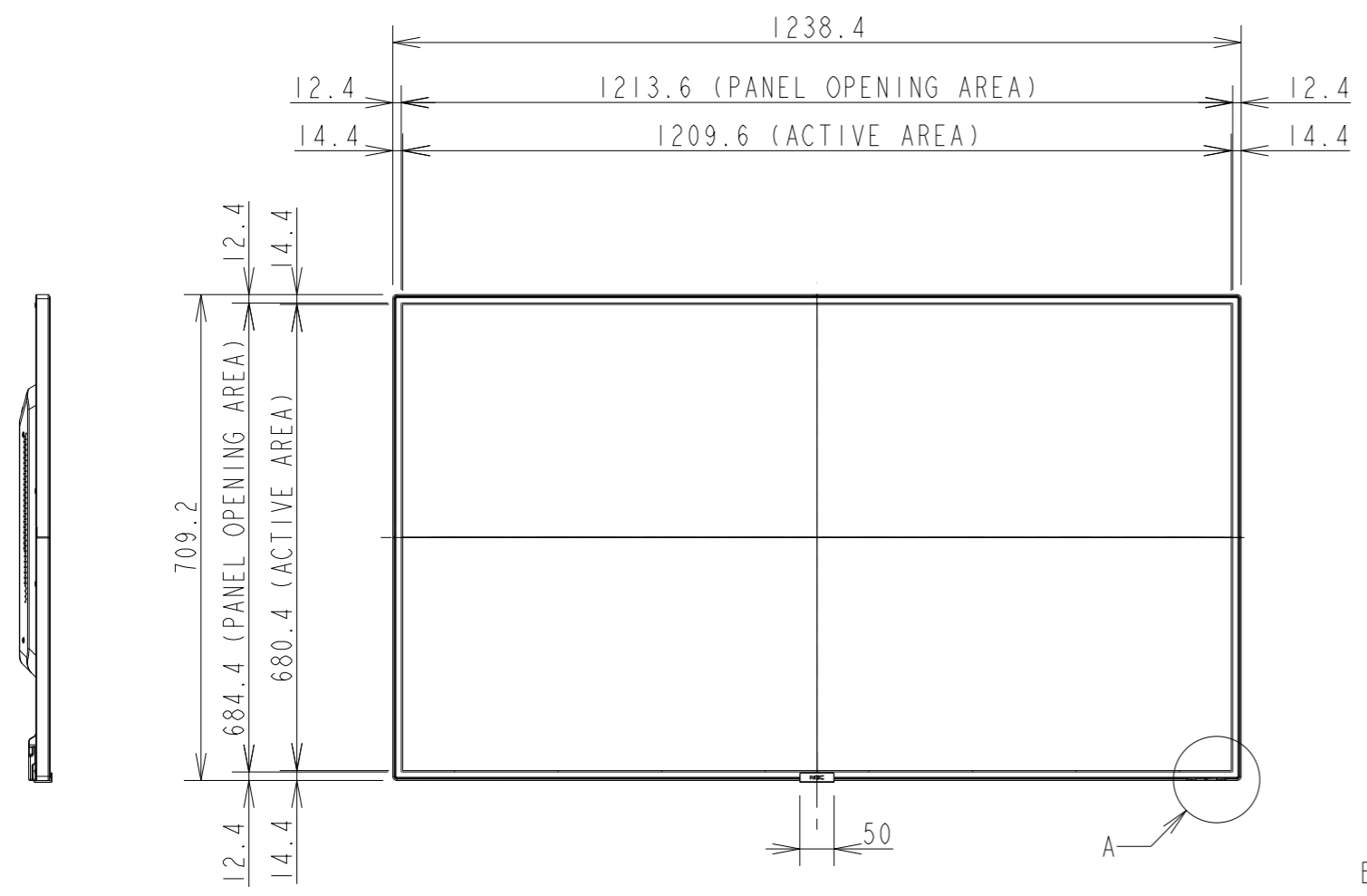


C551 OUTLINE

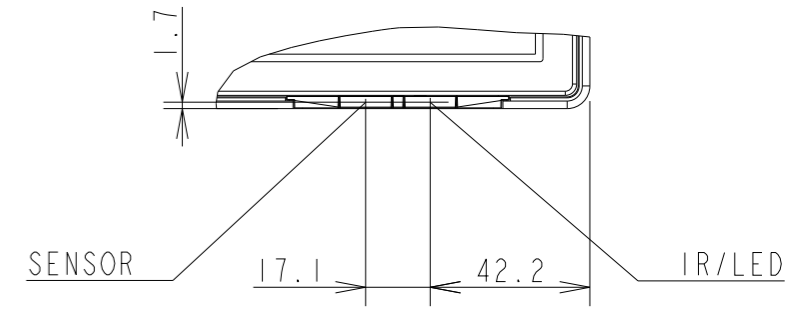
The center of gravity : It is within 10mm from active center.



Section E-E
Scale 1/1



DETAIL B
Scale 1/2



DETAIL A
Scale 1/2

UNIT	mm
MODEL	C551
SCALE	1/10
NEC Display Solutions 2017/11/02	