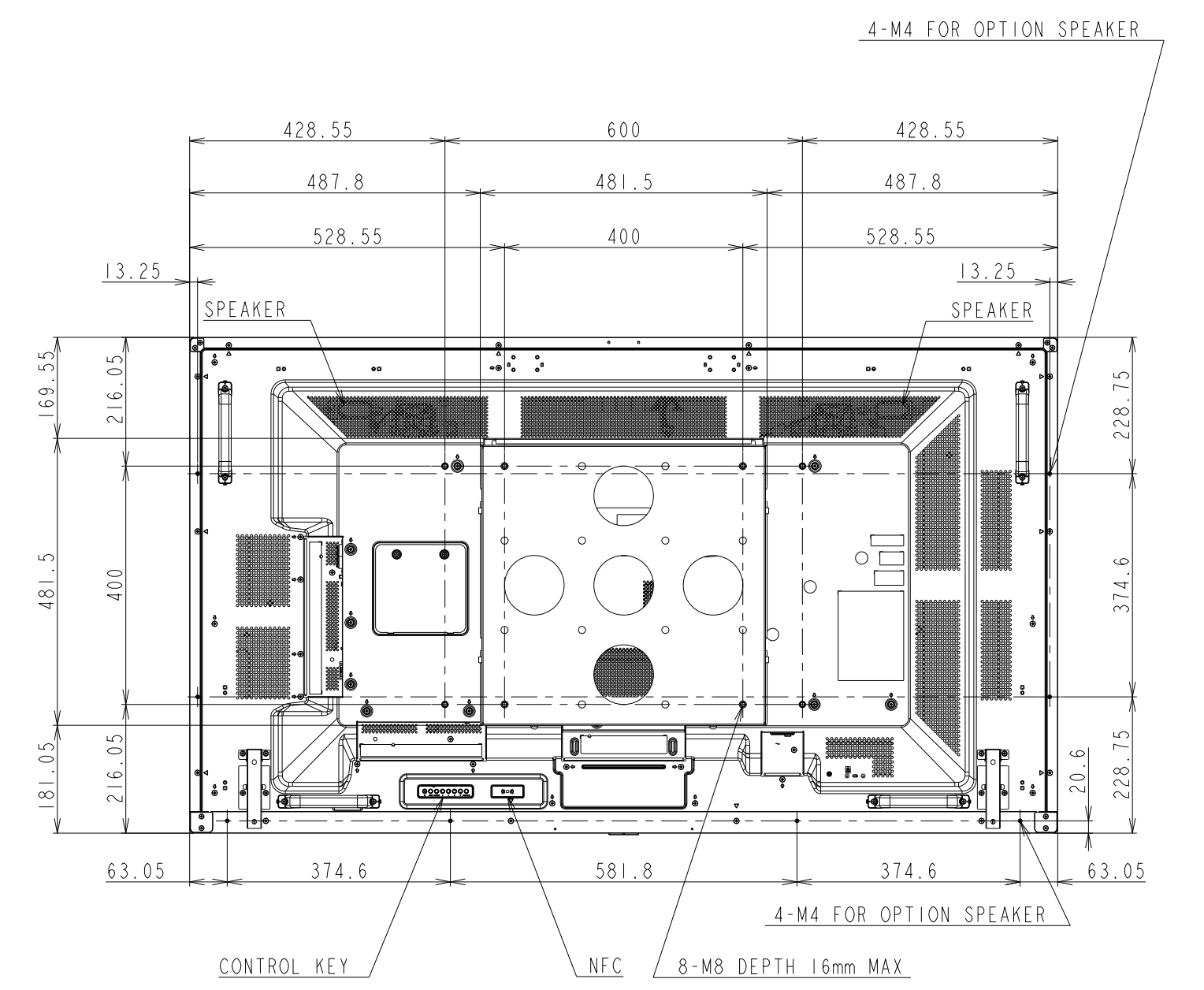
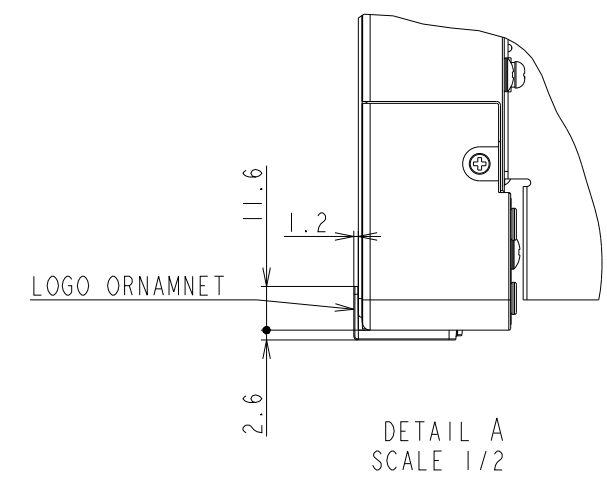
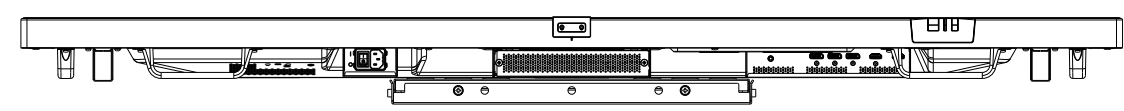
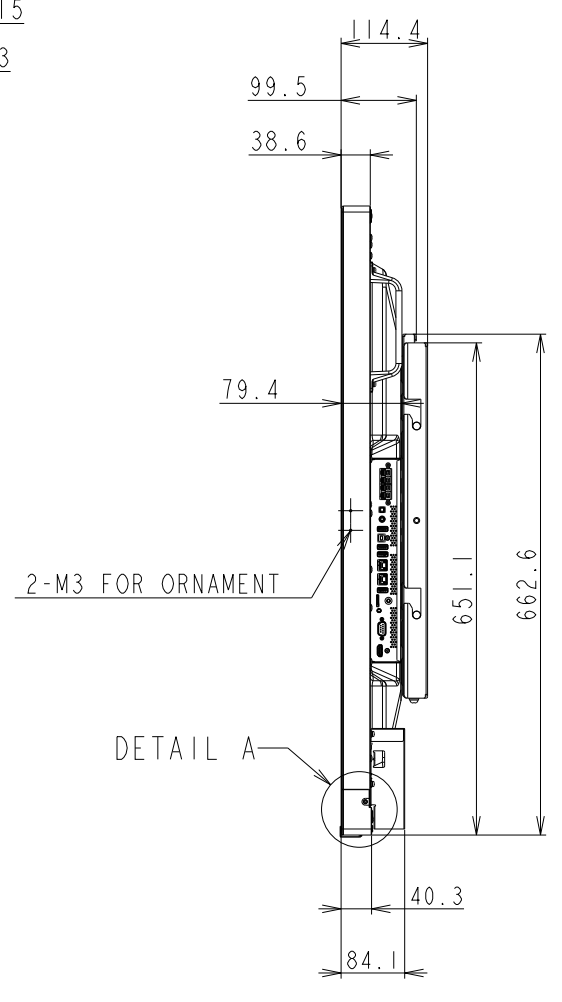
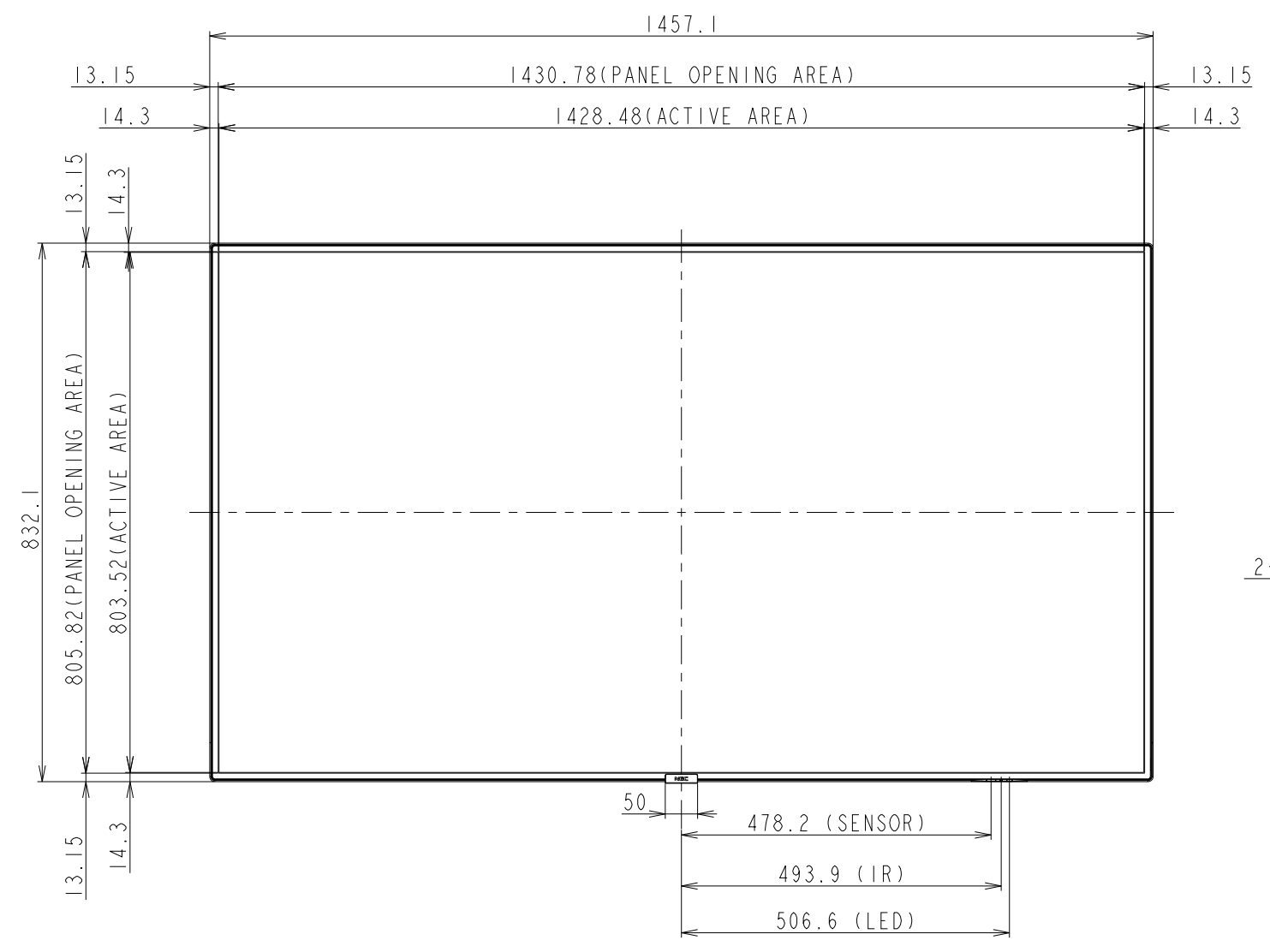
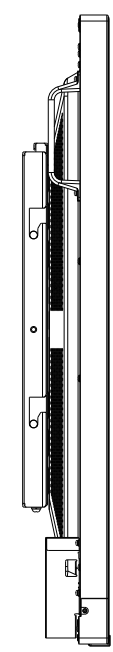
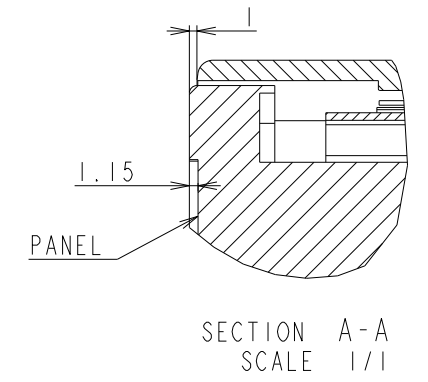
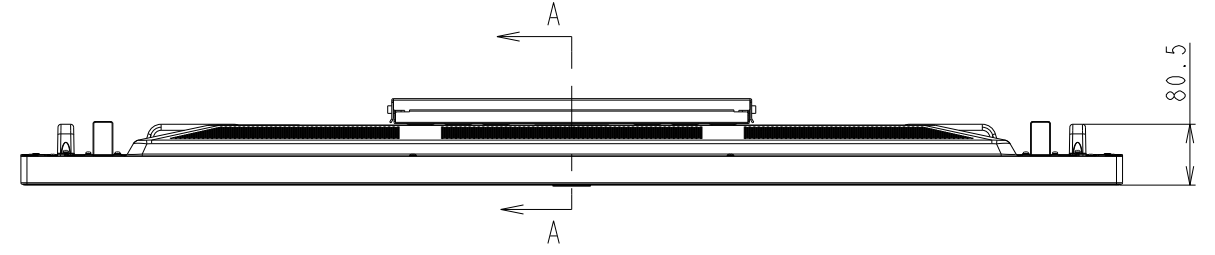


C651Q OUTLINE WITH ST-WM50



| | |
|-----------------------|-------|
| UNIT | mm |
| MODEL | C651Q |
| SCALE | 1/10 |
| NEC Display Solutions | |
| 2018/11/22 | |