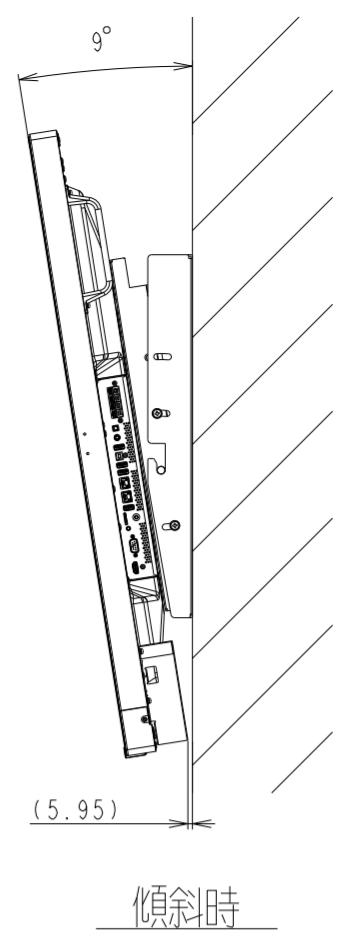
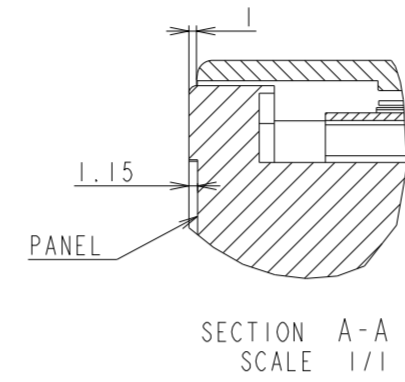
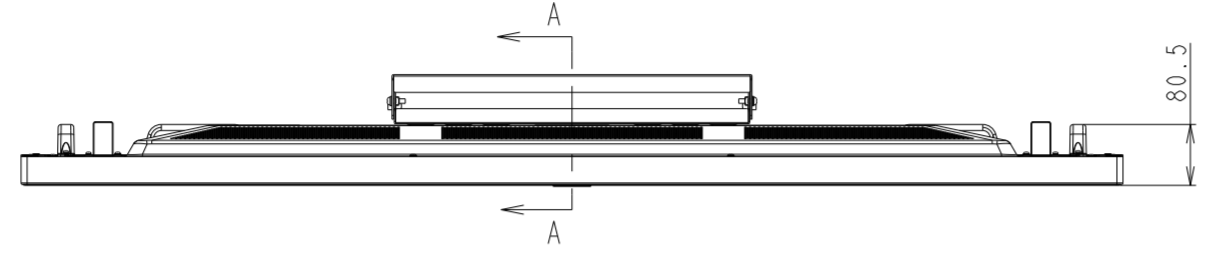
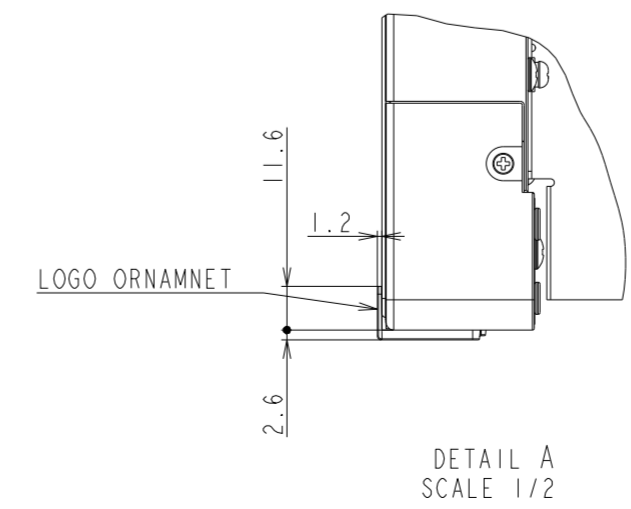
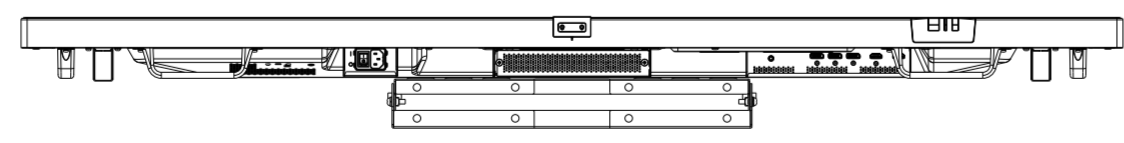
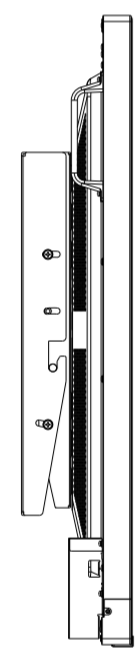
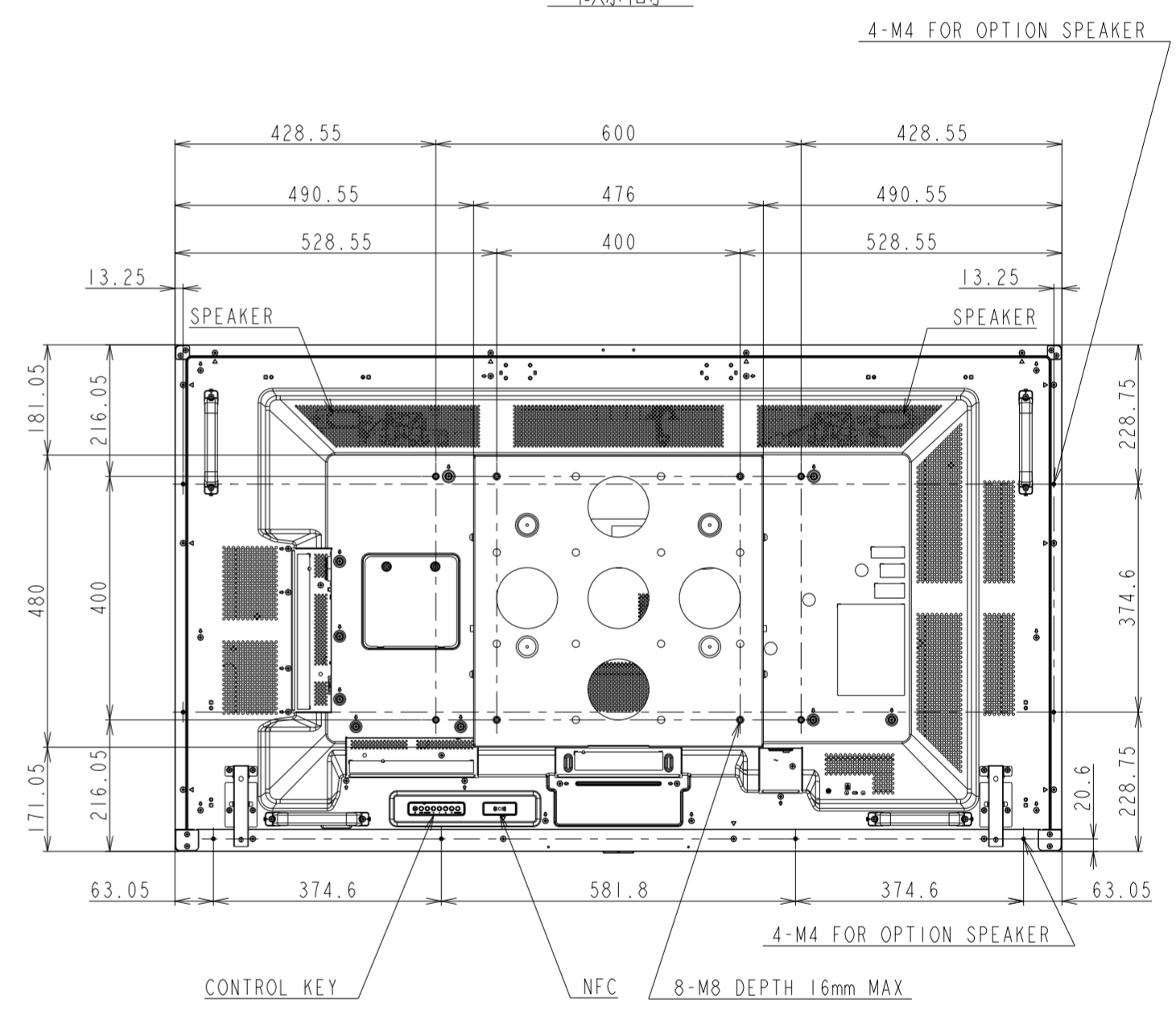
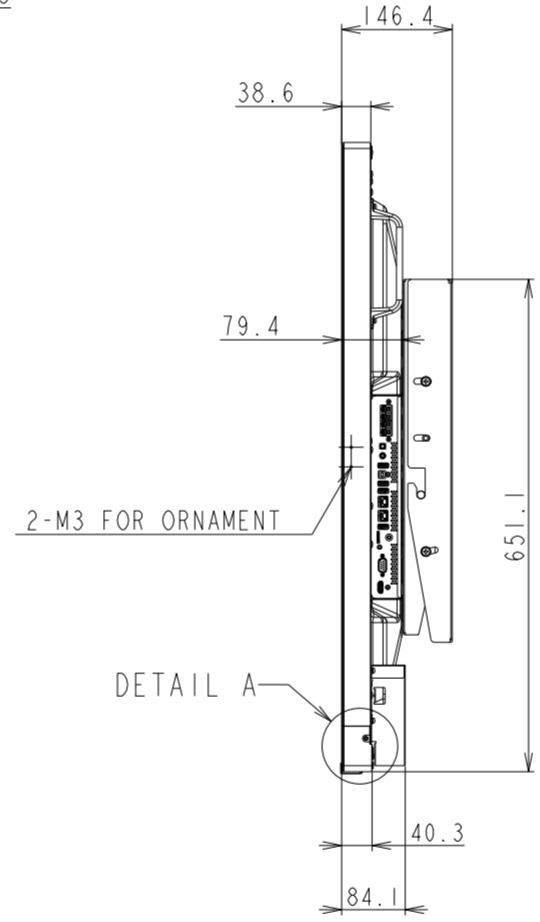
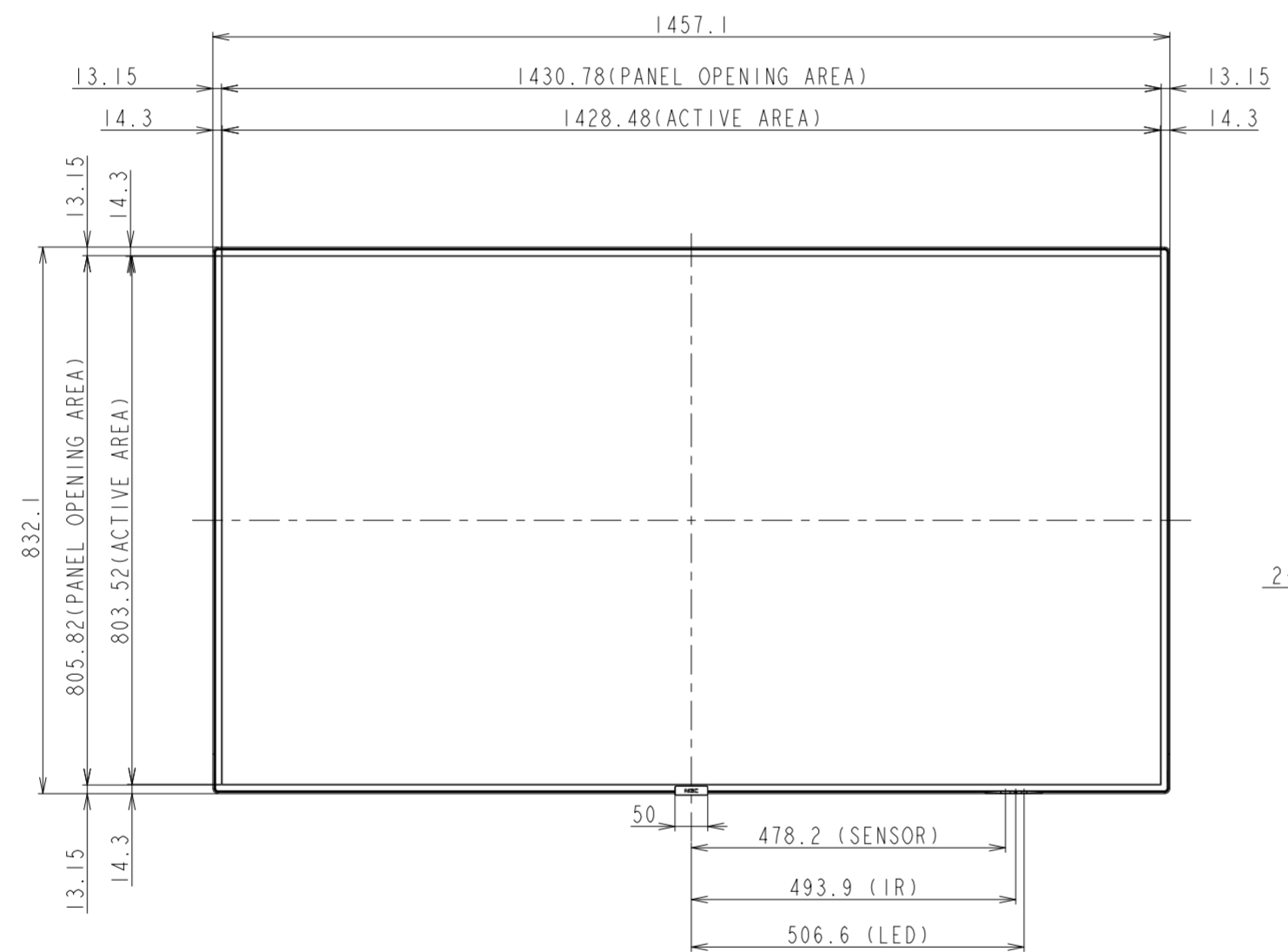


# P654Q OUTLINE WITH ST-TM50



傾斜時



UNIT	mm
MODEL	P654Q
SCALE	1/10
NEC Display Solutions	
2018/11/22	