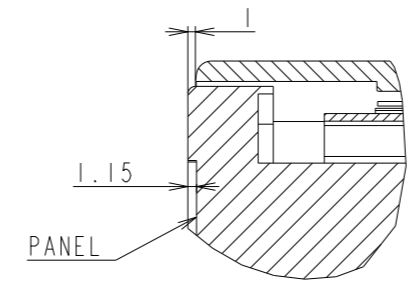
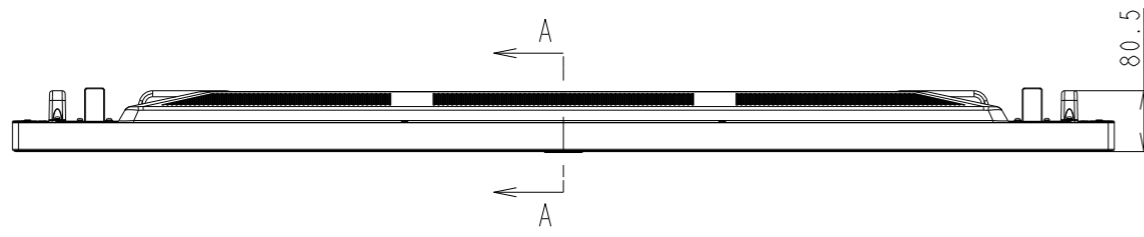
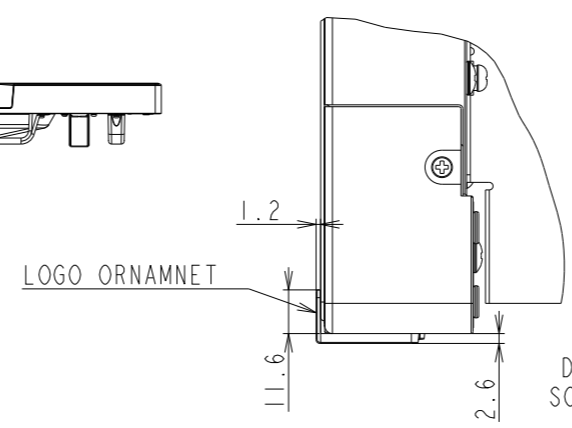
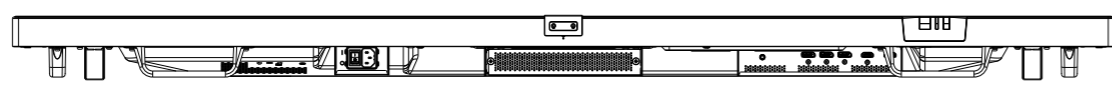
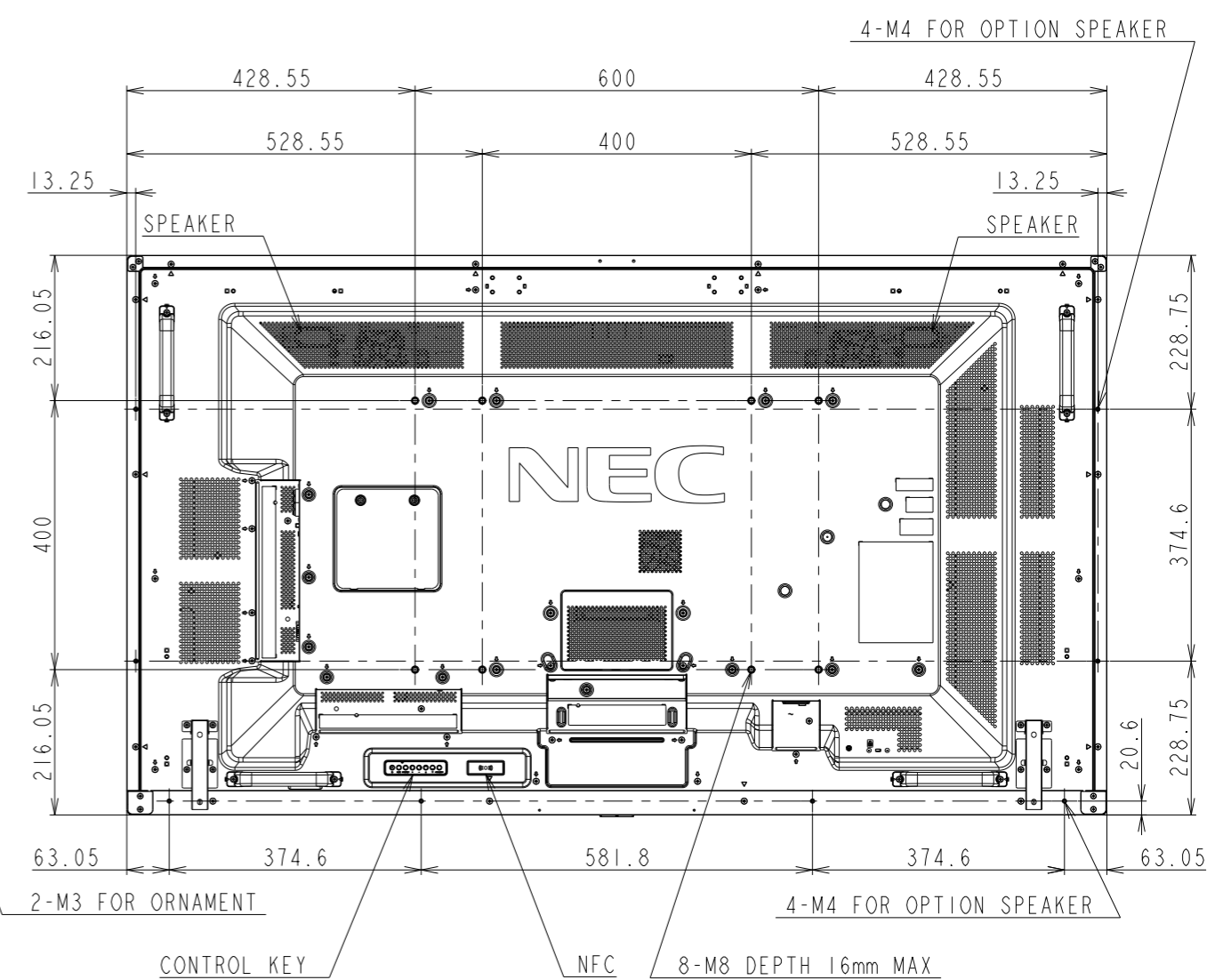
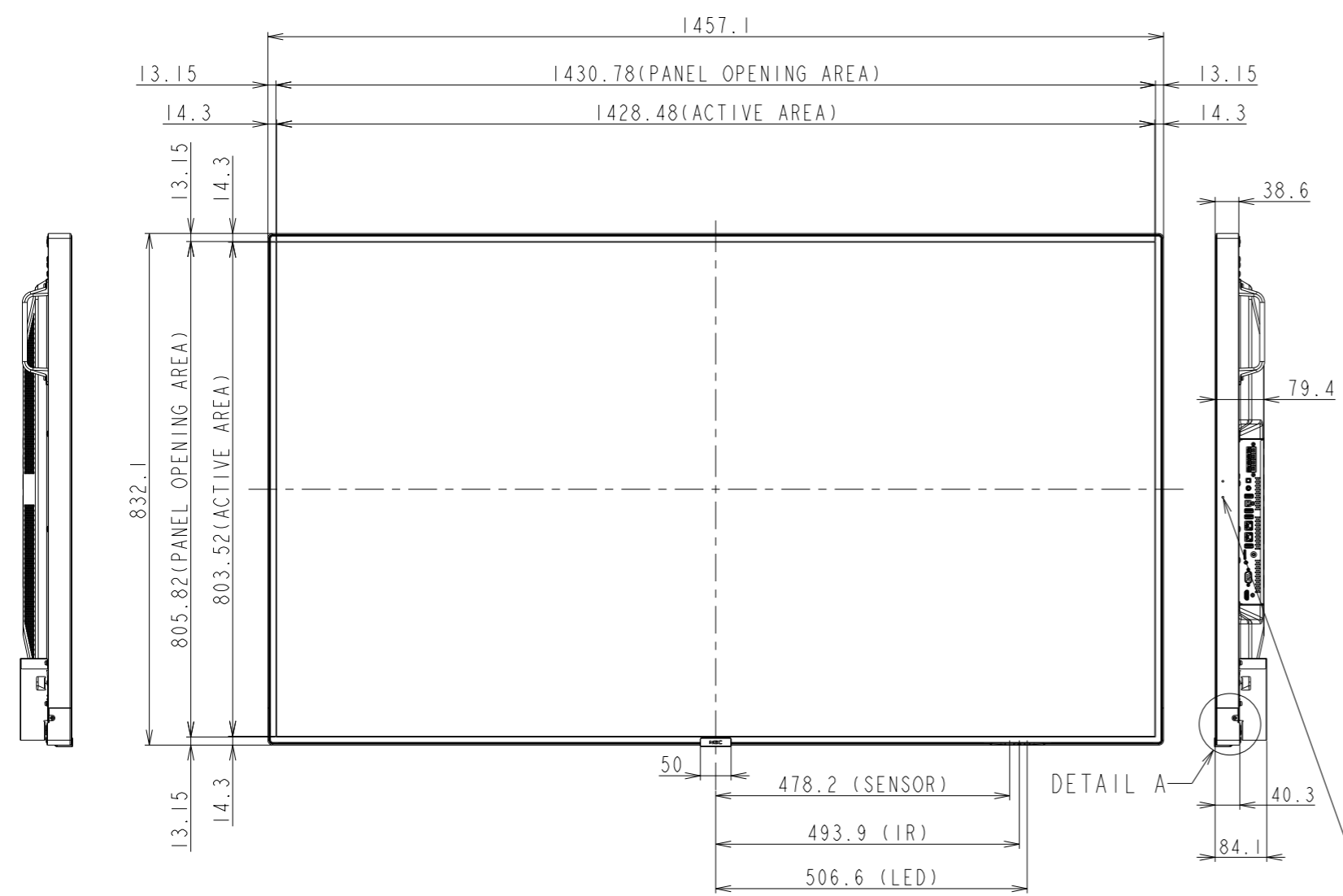


P654Q_OUTLINE

The center of gravity: It is within 10mm from active center.



SECTION A-A
SCALE 1/1



DETAIL A
SCALE 1/2

UNIT	mm
MODEL	P654Q
SCALE	1/10
NEC Display Solutions 2018/11/22	