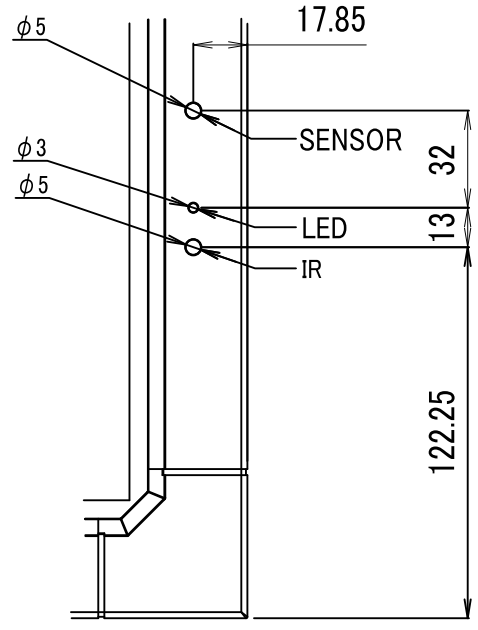
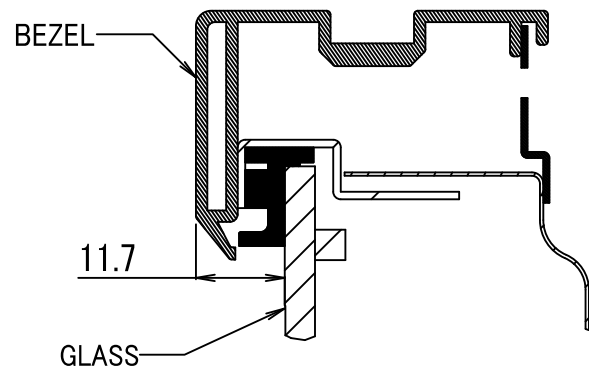
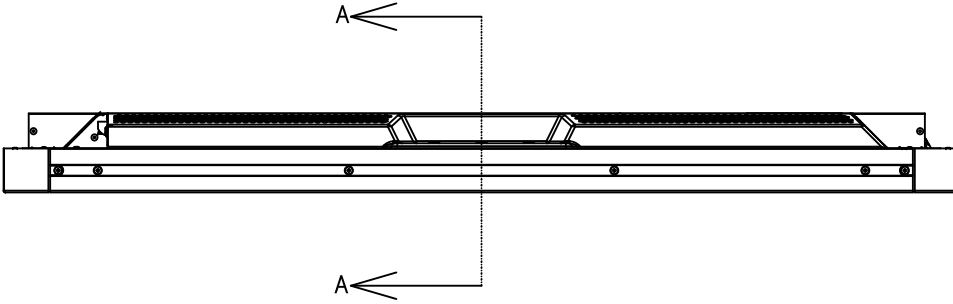
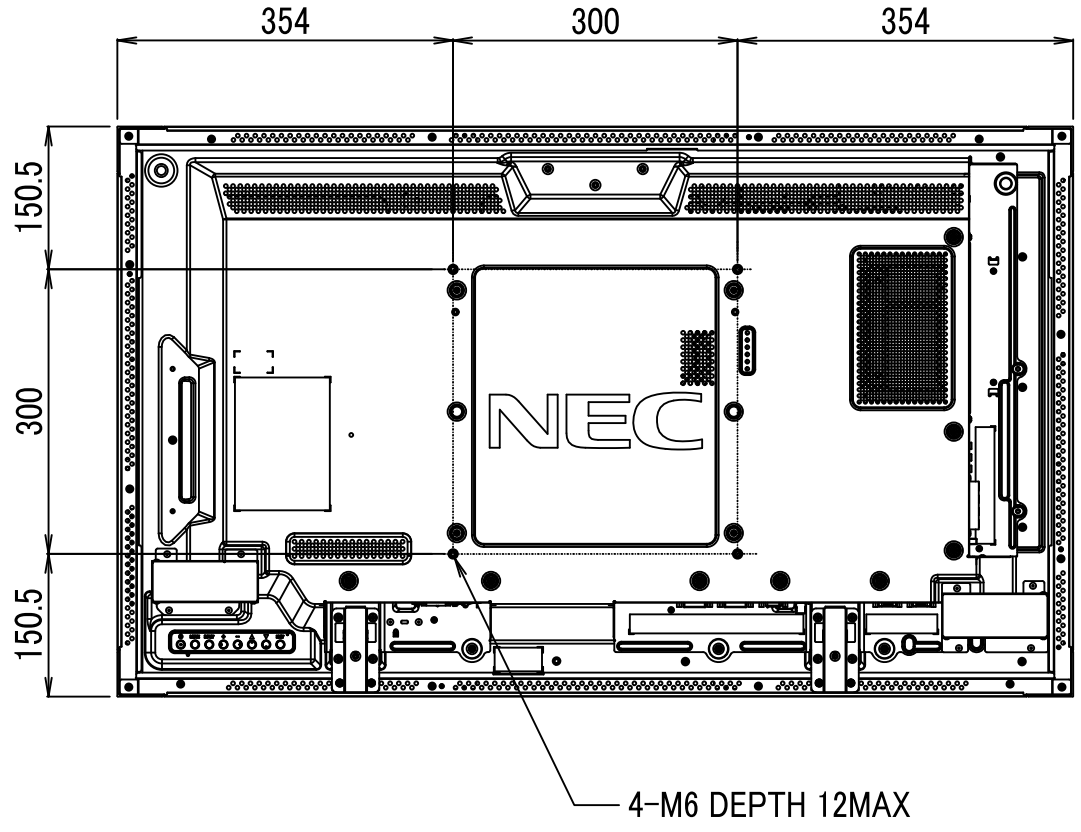
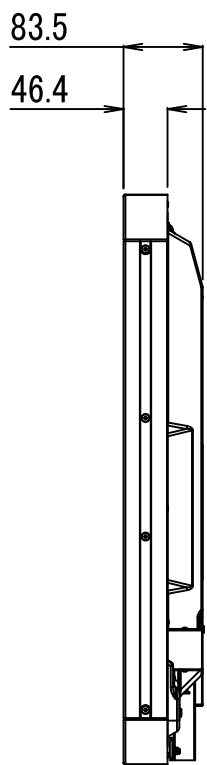
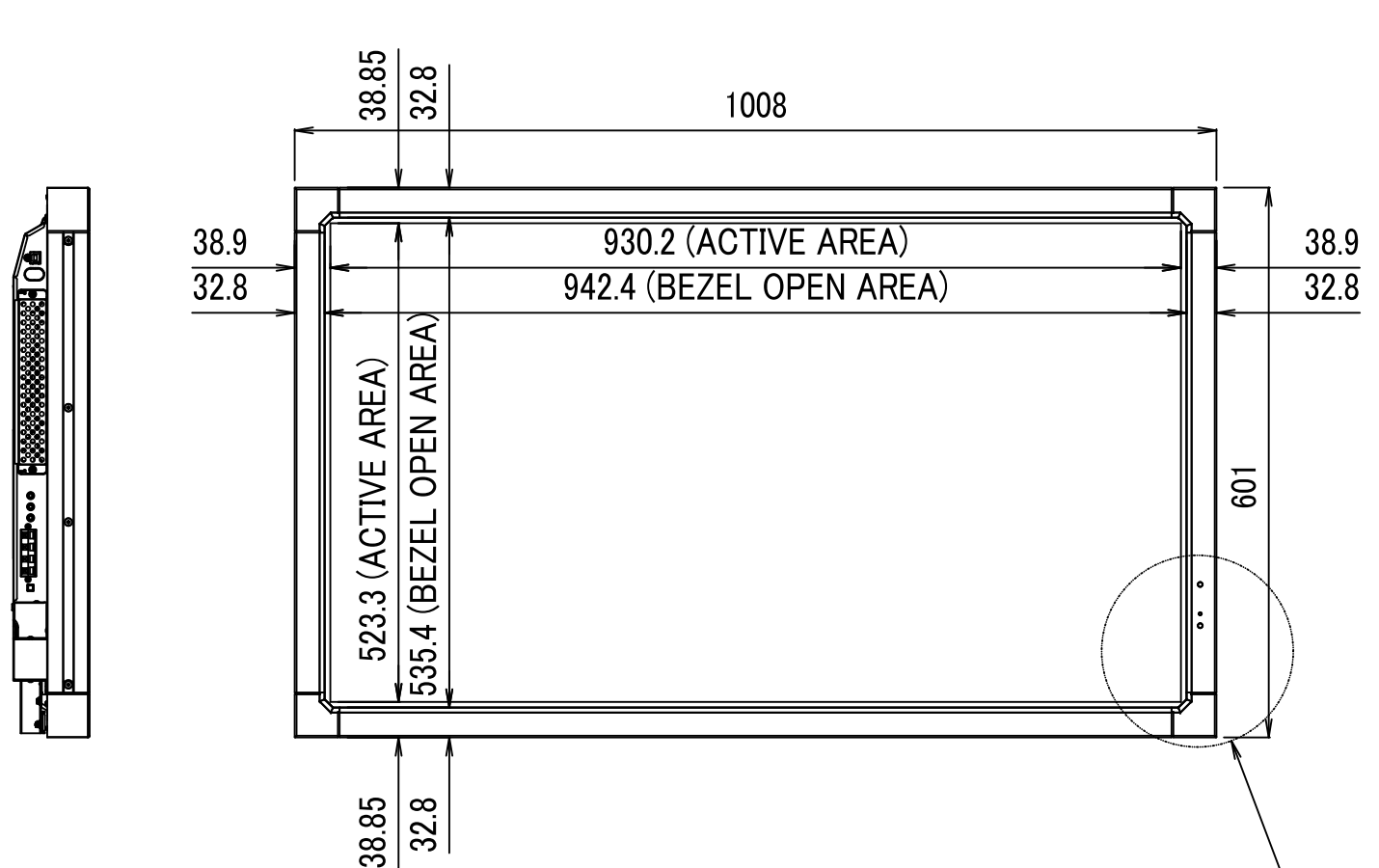


# V423-TM OUTLINE

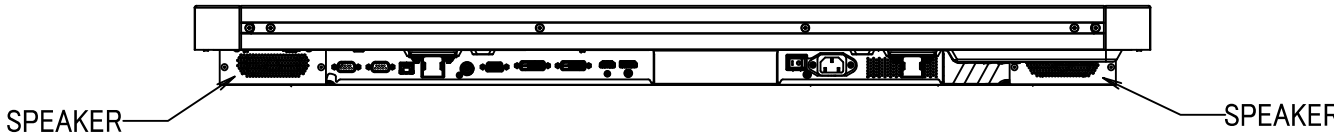


SECTION A-A  
SCALE 1/1

DETAIL B  
SCALE 1/2.5



SEE DETAIL B



SIZE A3  
 SCALE 1/8  
 DIM mm  
 2013/12/17