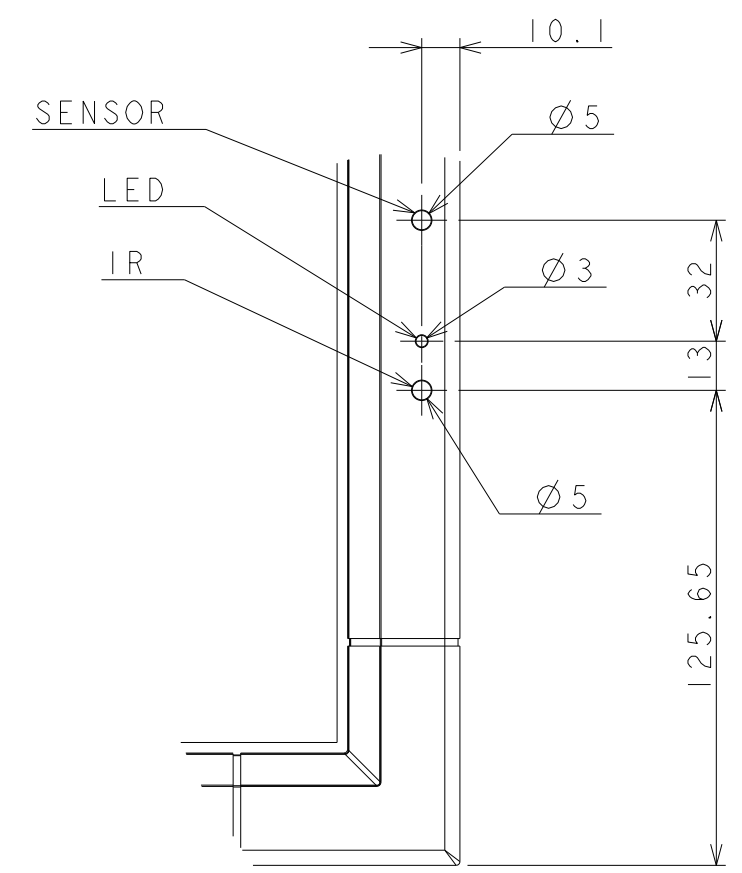


section A-A  
scale 1/1



DETAIL B  
SCALE 1/2

