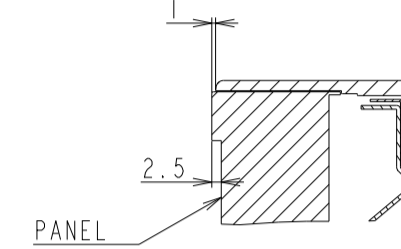
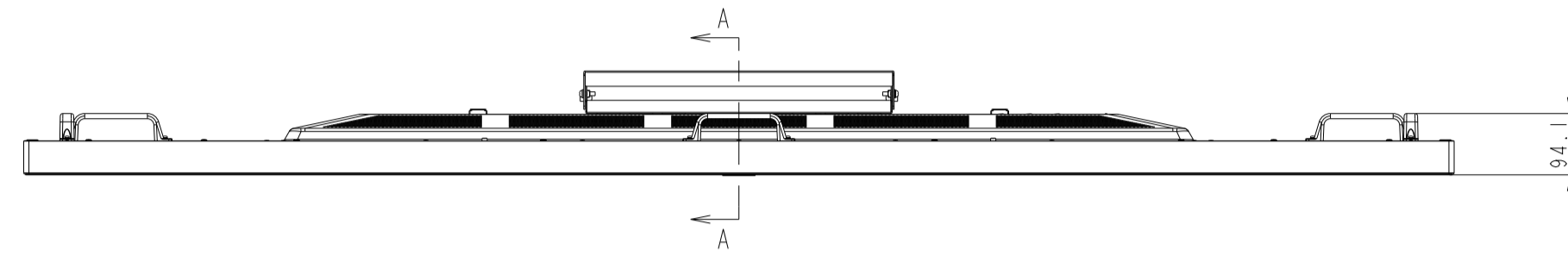
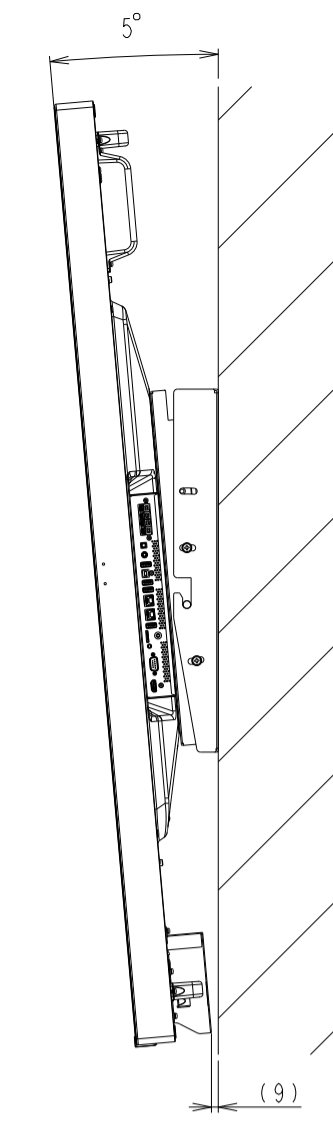


# V984Q\_OUTLINE WITH ST-TM50

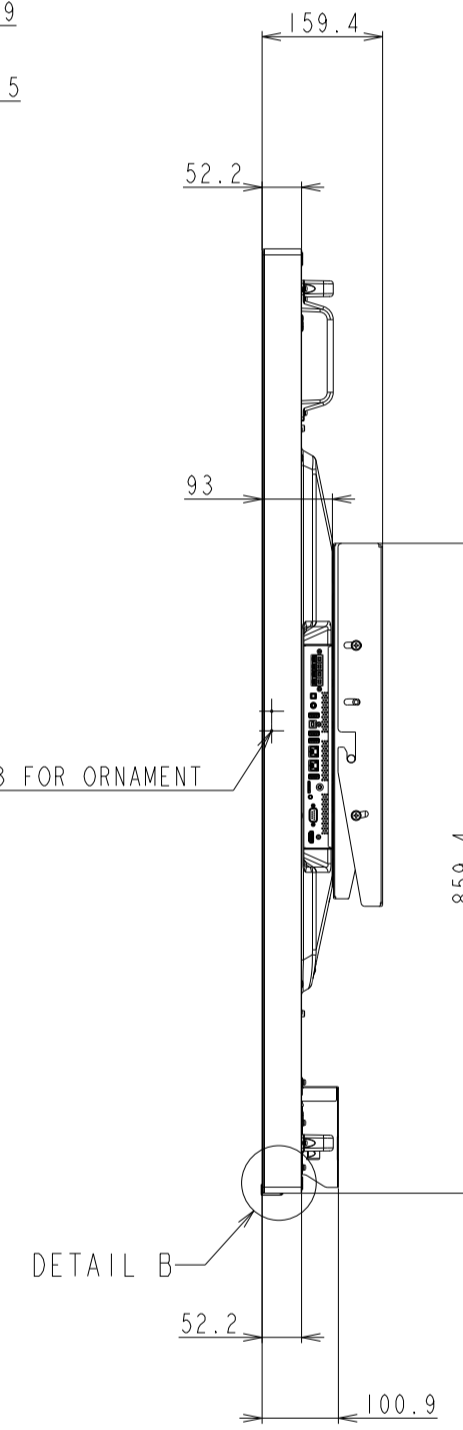
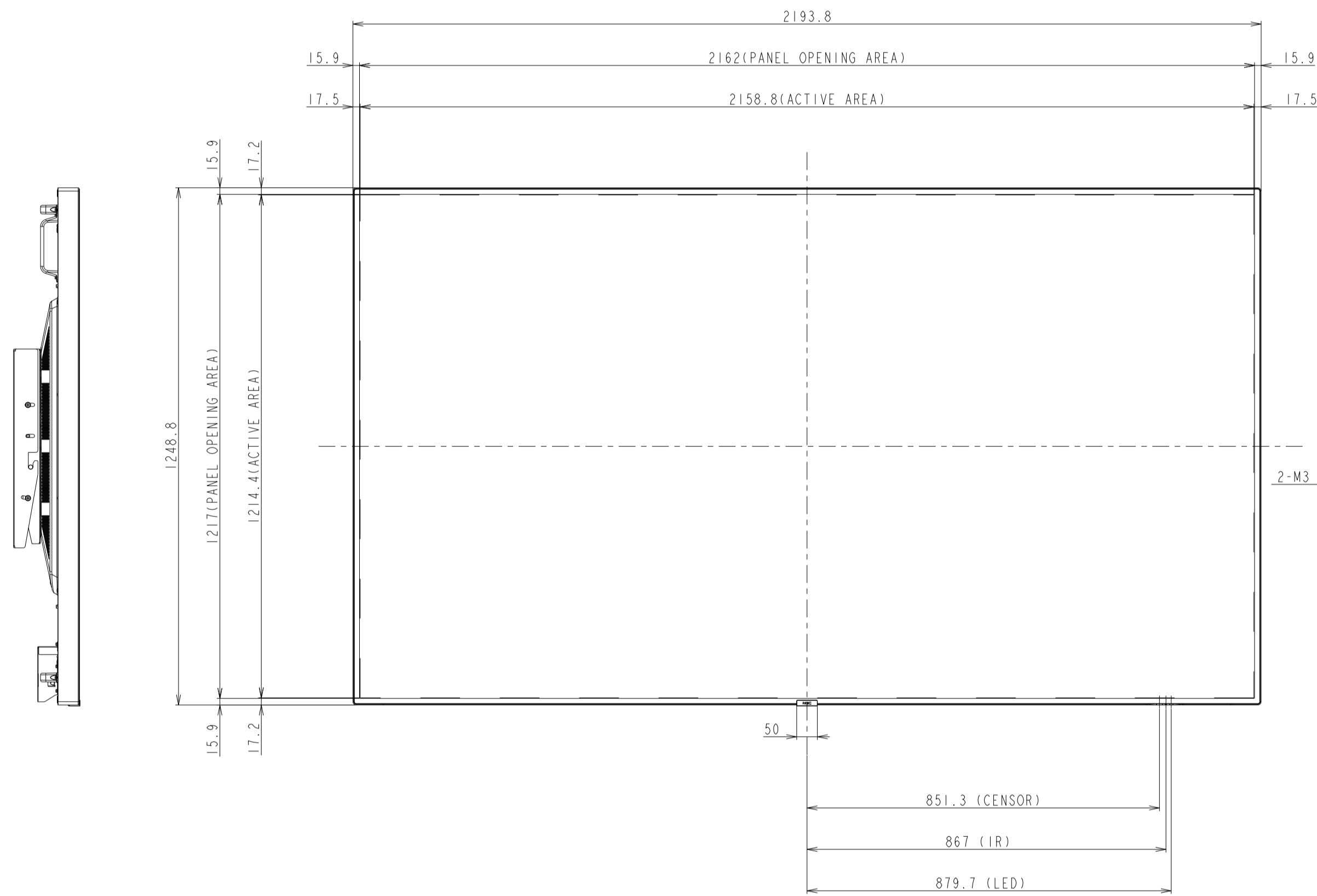
The center of gravity: It is within 10mm from active center.



SECTION A-A  
SCALE 1/2

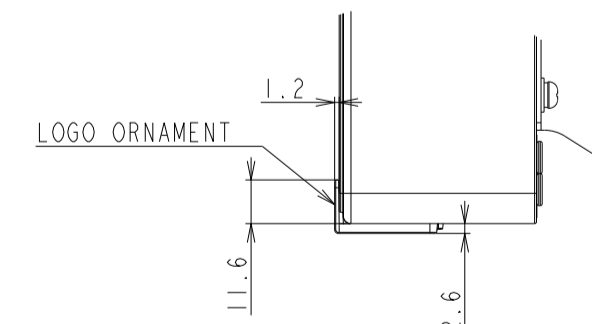
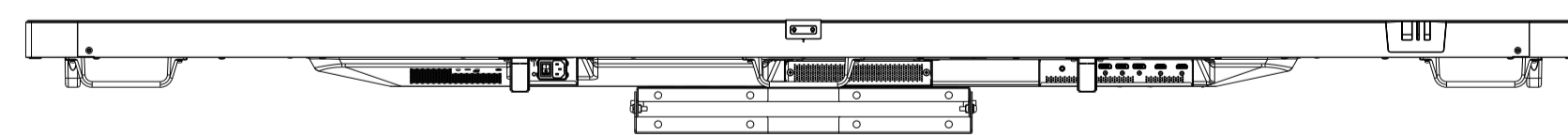


傾斜時

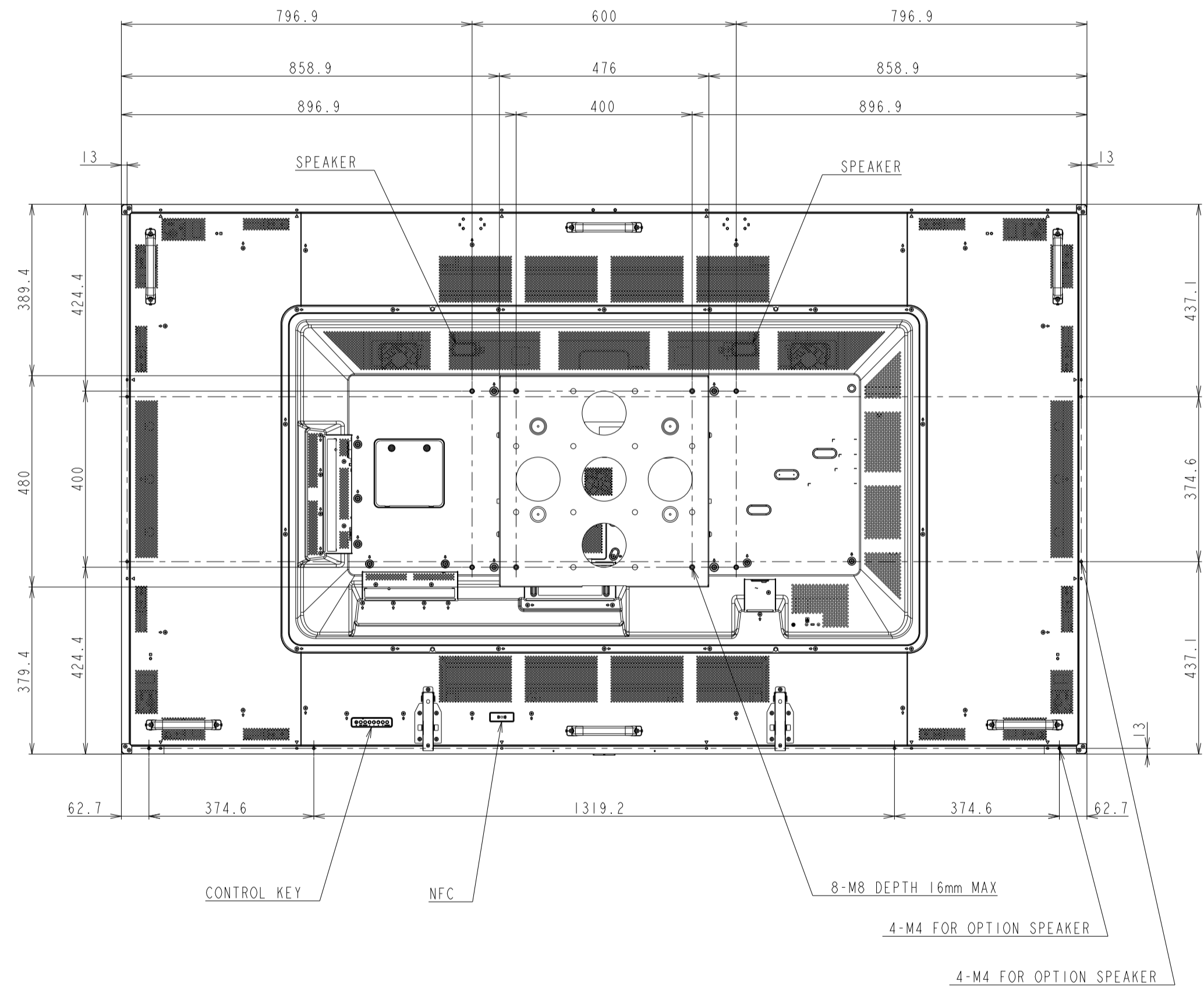


DETAIL B

2-M3 FOR ORNAMENT



DETAIL B  
SCALE 1/2



UNIT	mm
MODEL	V984Q
SCALE	1/10
NEC Display Solutions 2018/05/22	