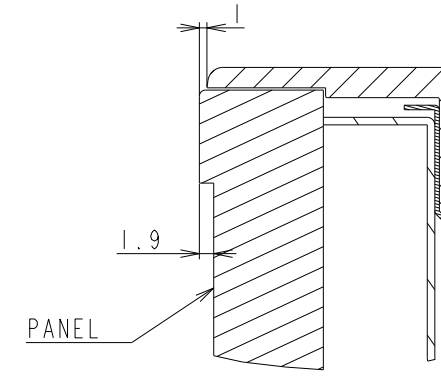
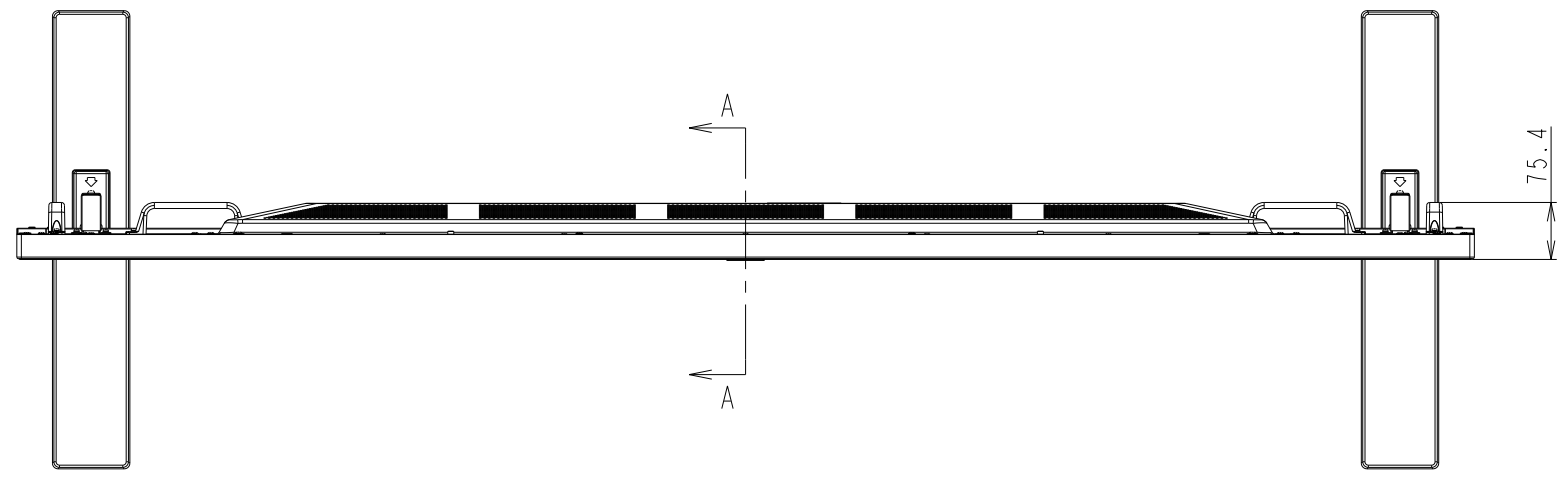
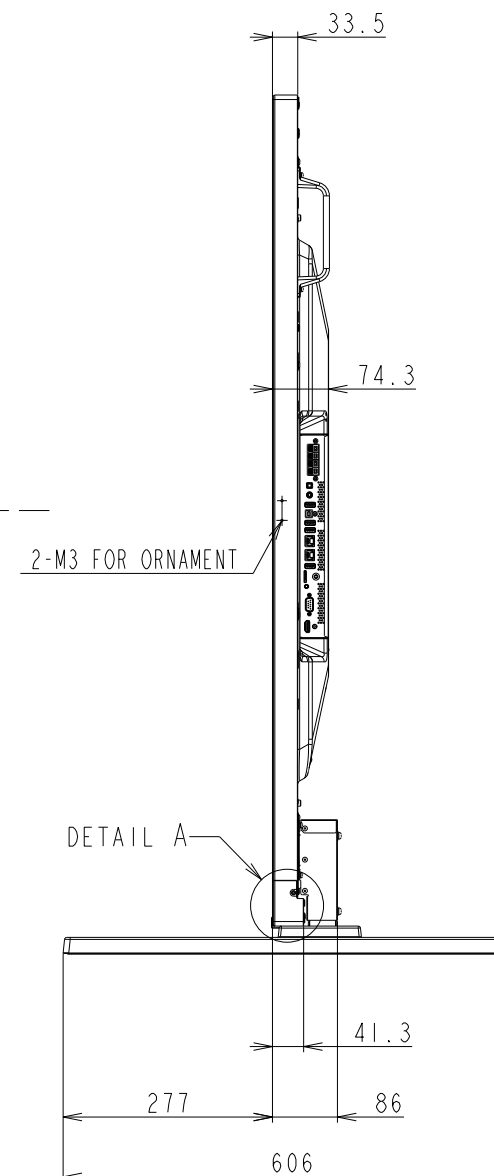
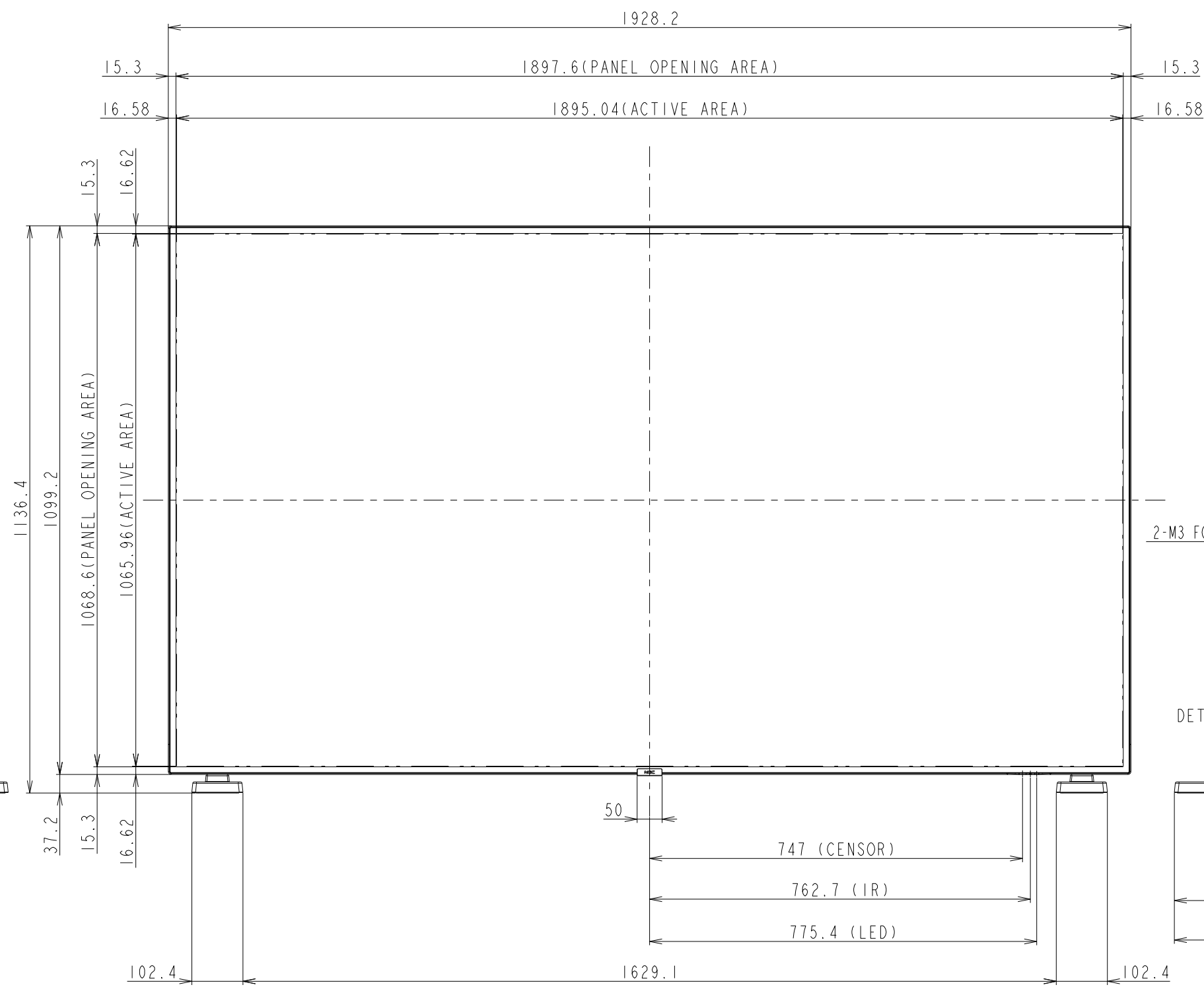


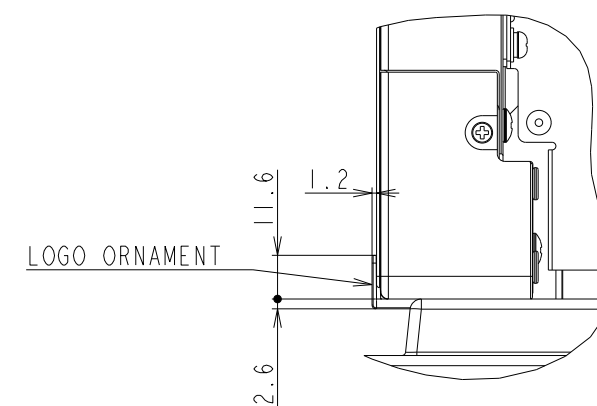
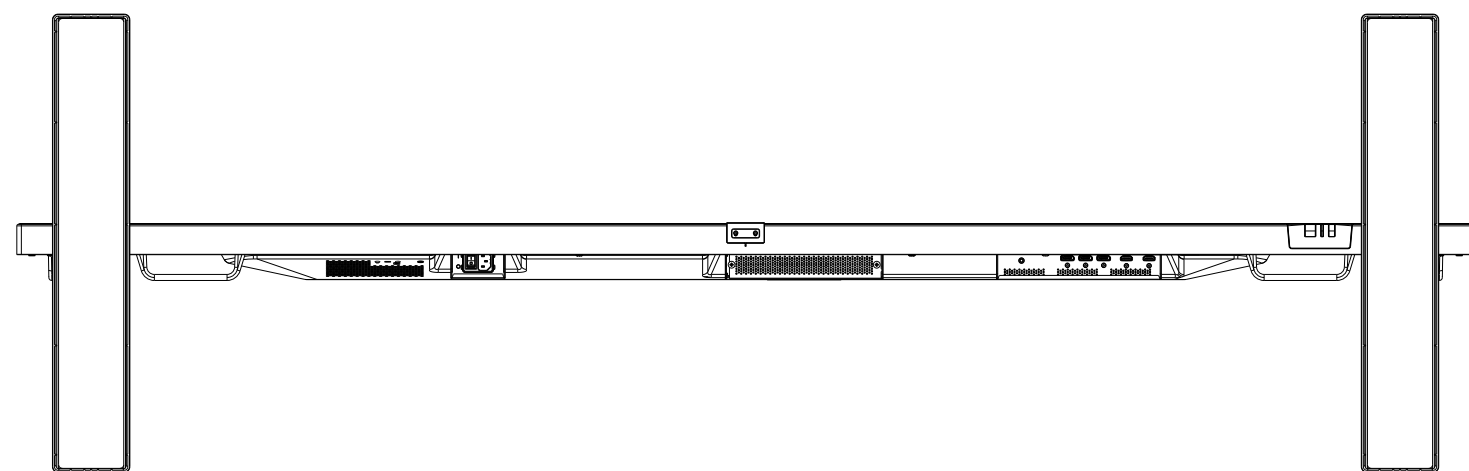
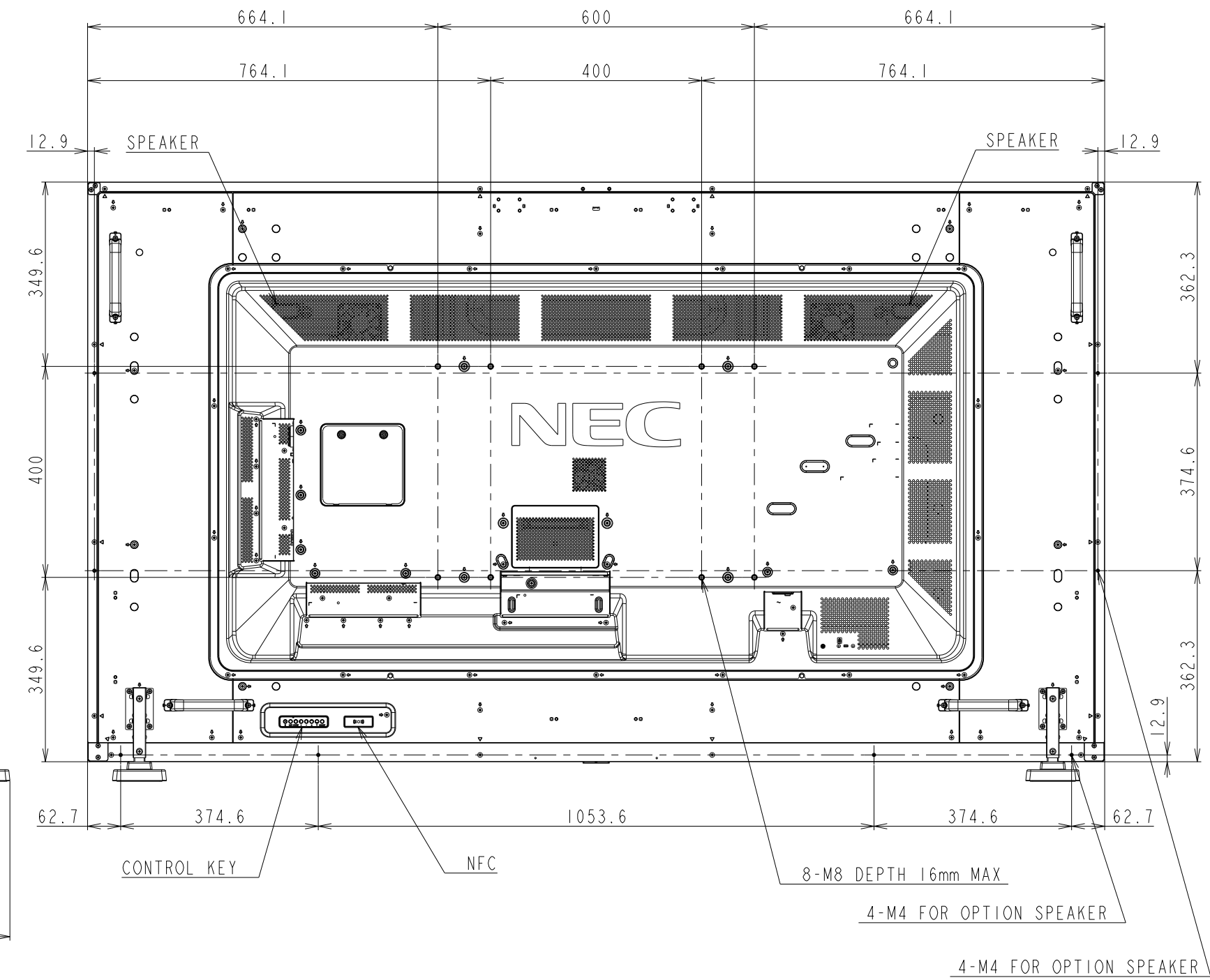
# C861Q OUTLINE WITH ST-801



SECTION A-A  
SCALE 1/1



2-M3 FOR ORNAMENT  
DETAIL A



DETAIL A  
SCALE 1/2

UNIT	mm
MODEL	C861Q
SCALE	1/10
NEC Display Solutions 2018/04/16	