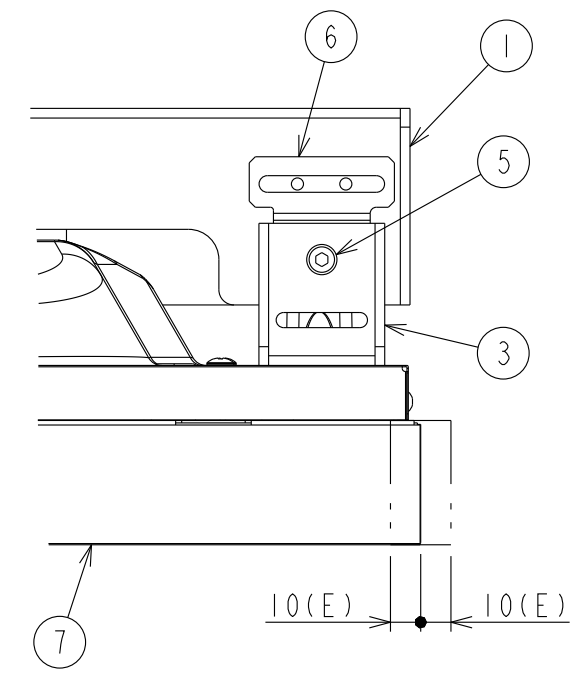
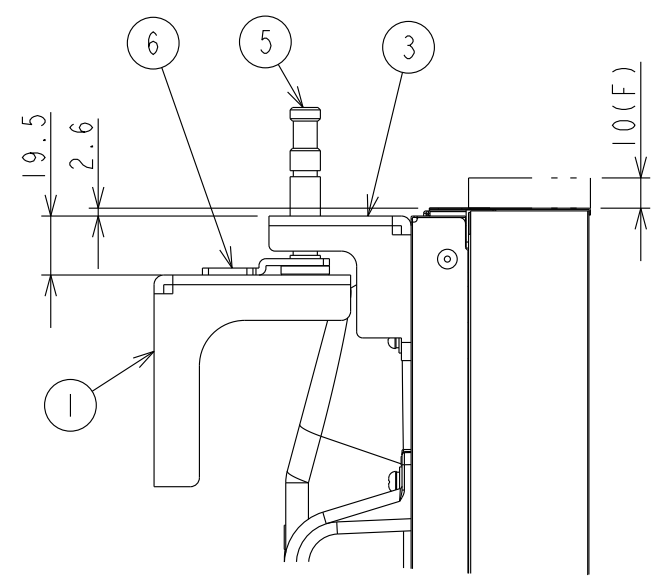


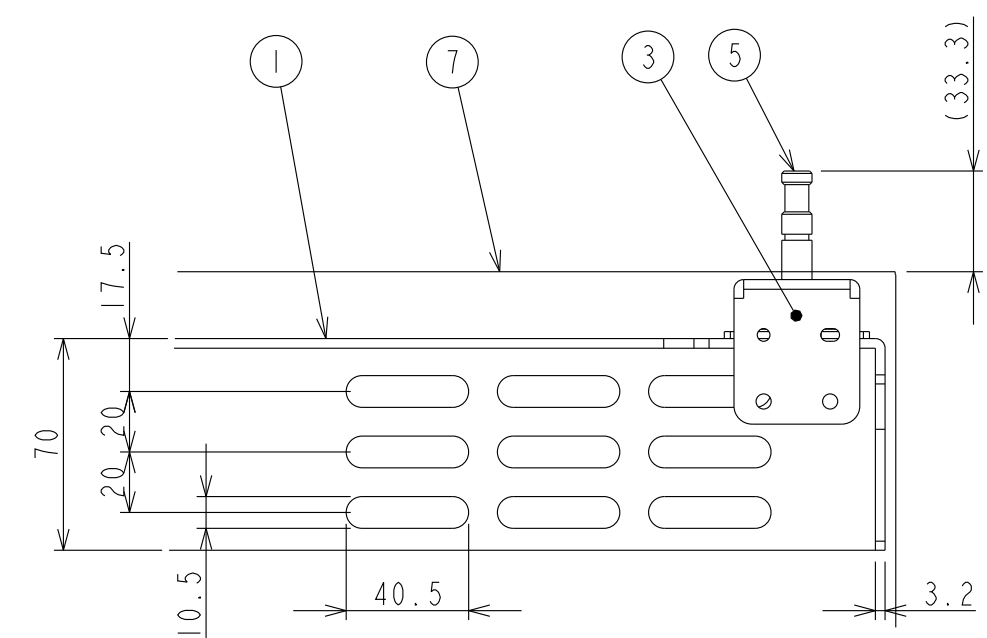
UN462VA with WM-46UN-L3 Installation Drawing.



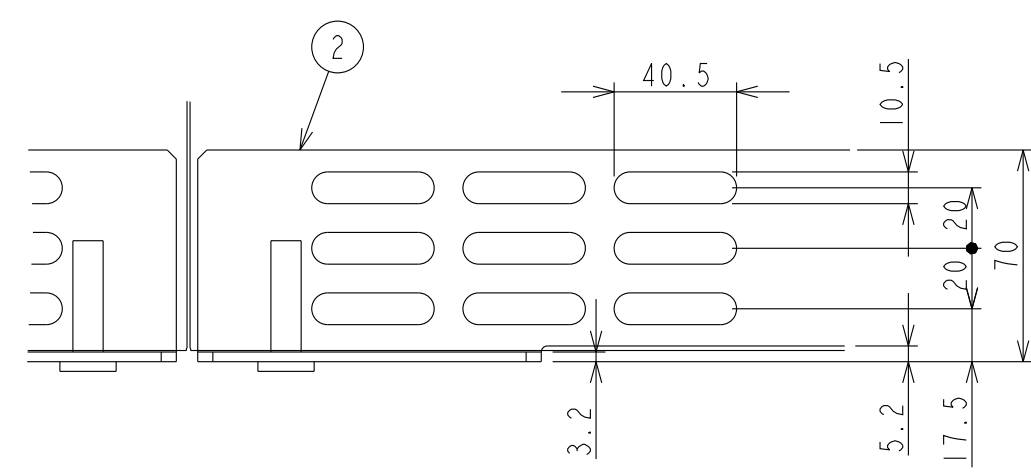
DETAIL of A



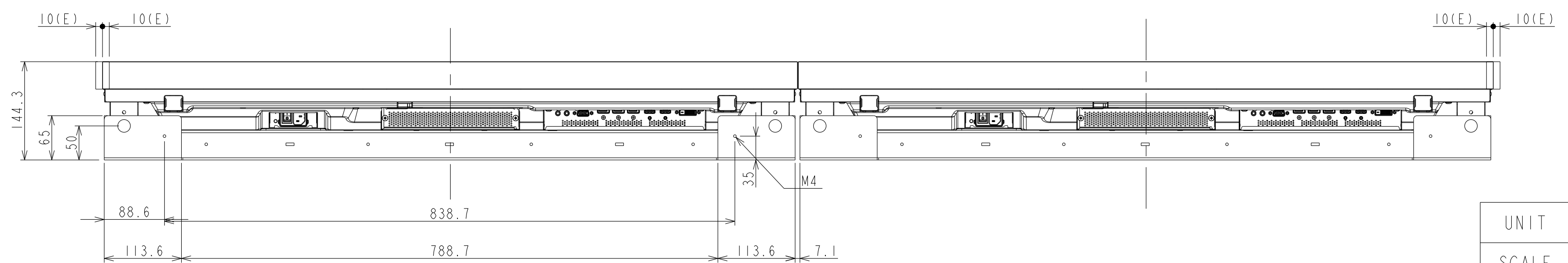
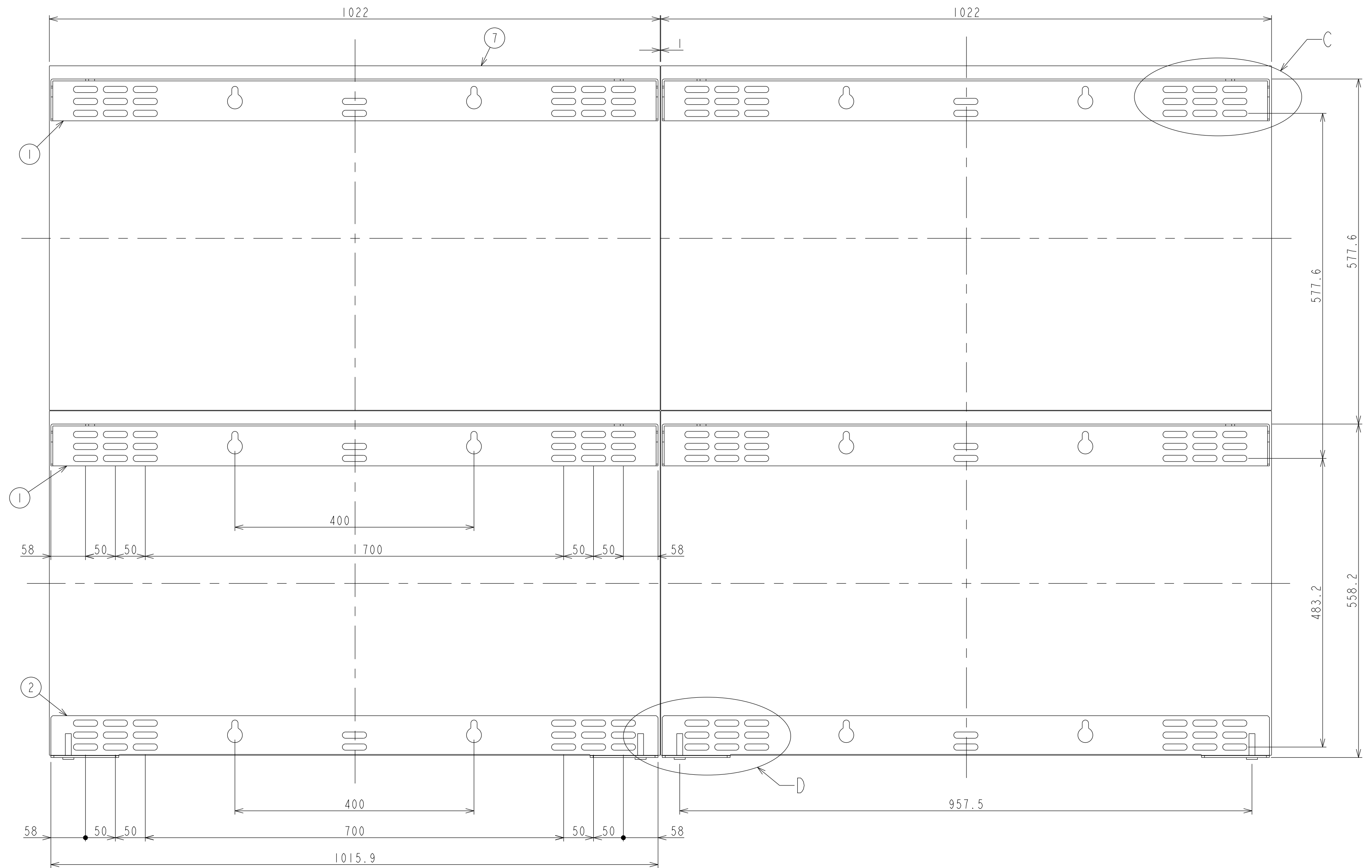
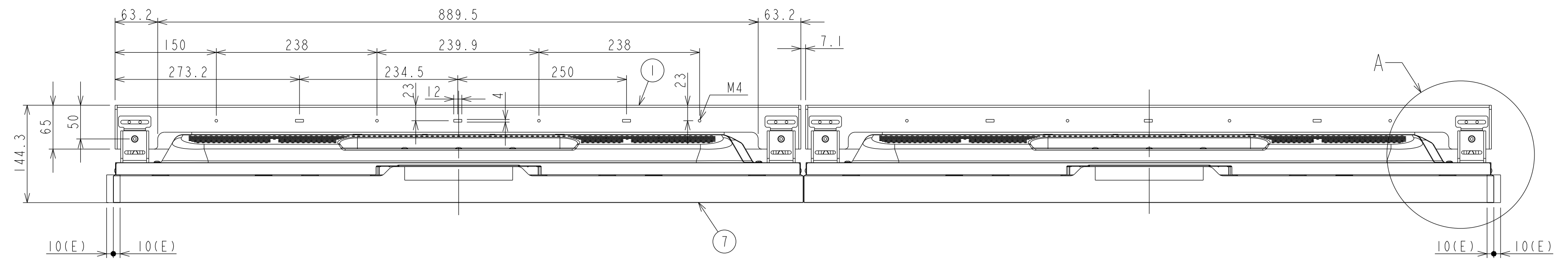
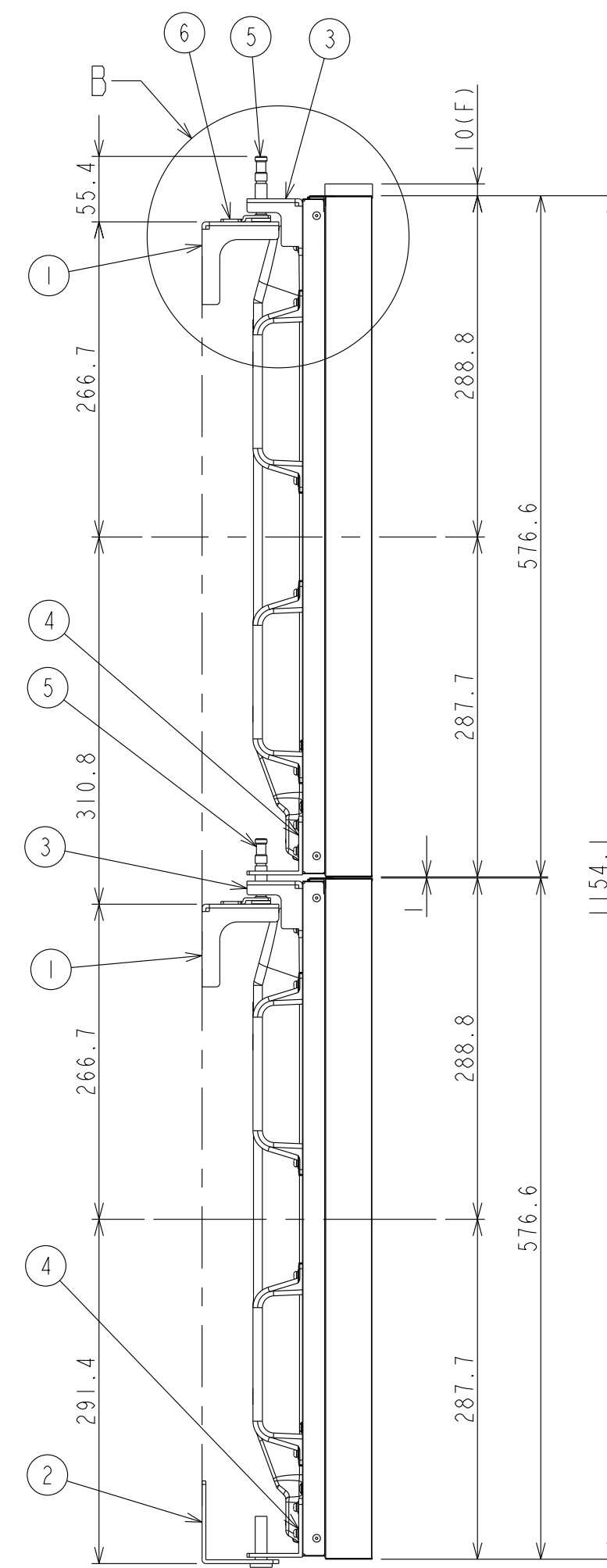
DETAIL of B



DETAIL of C



DETAIL of D



- 1) This monitor is not symmetrical.
Center line shows image center.
- 2) Dimension (E) shows adjustable range of horizontally.
Dimension (F) shows adjustable range of vertically.
- 3) Monitor position is shown bottom end in adjustable range.

Parts

- ① Wall bracket (top)
- ② Wall bracket (bottom)
- ③ Monitor bracket (top)
- ④ Monitor bracket (bottom)
- ⑤ Adjuster pin
- ⑥ Stopper
- ⑦ Monitor

UNIT	mm
SCALE	1/5
MODEL	UN462VA with WM-46UN-L3
NEC Display Solutions 2018/12/14	