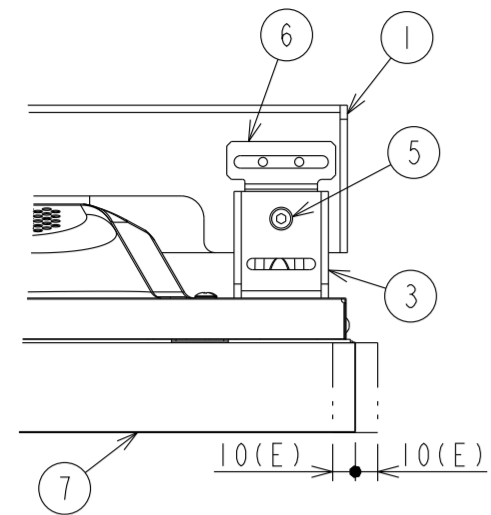
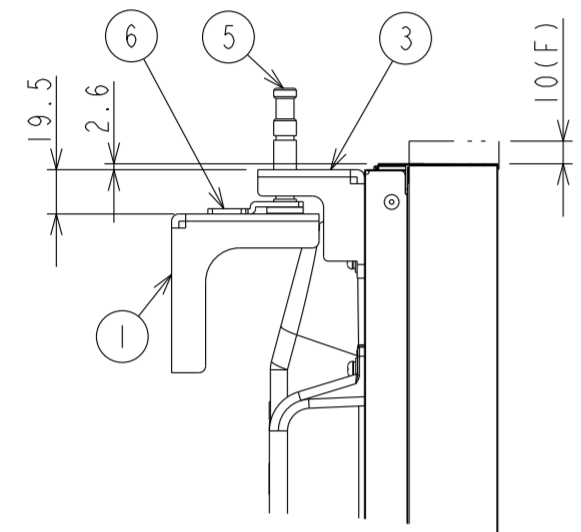


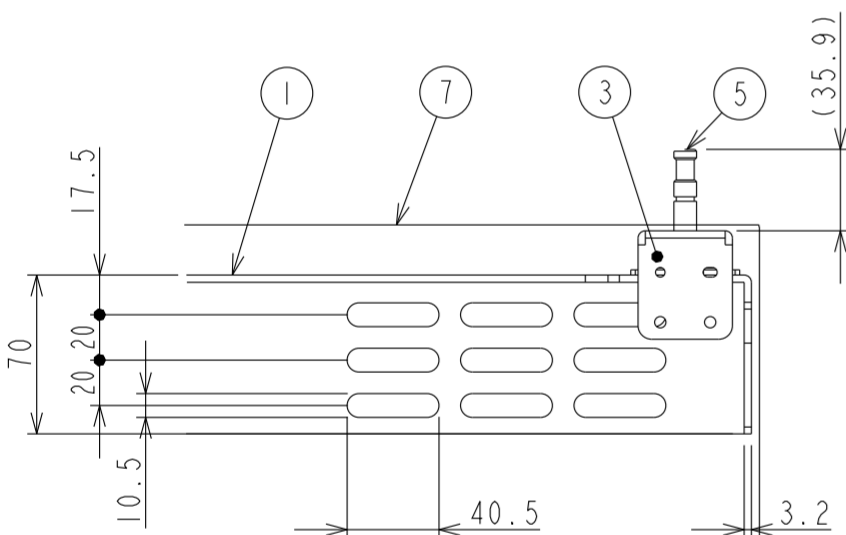
# UN462VA with WM-46UN-L3 Installation Drawing.



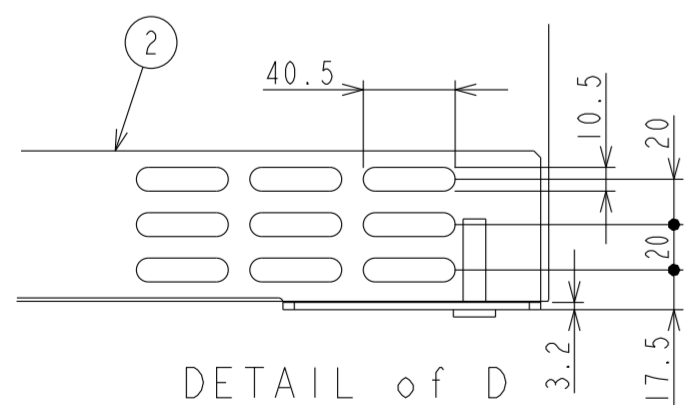
DETAIL of A



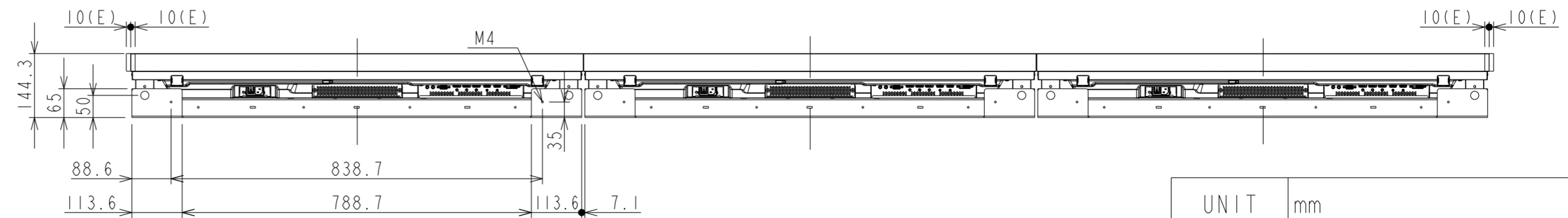
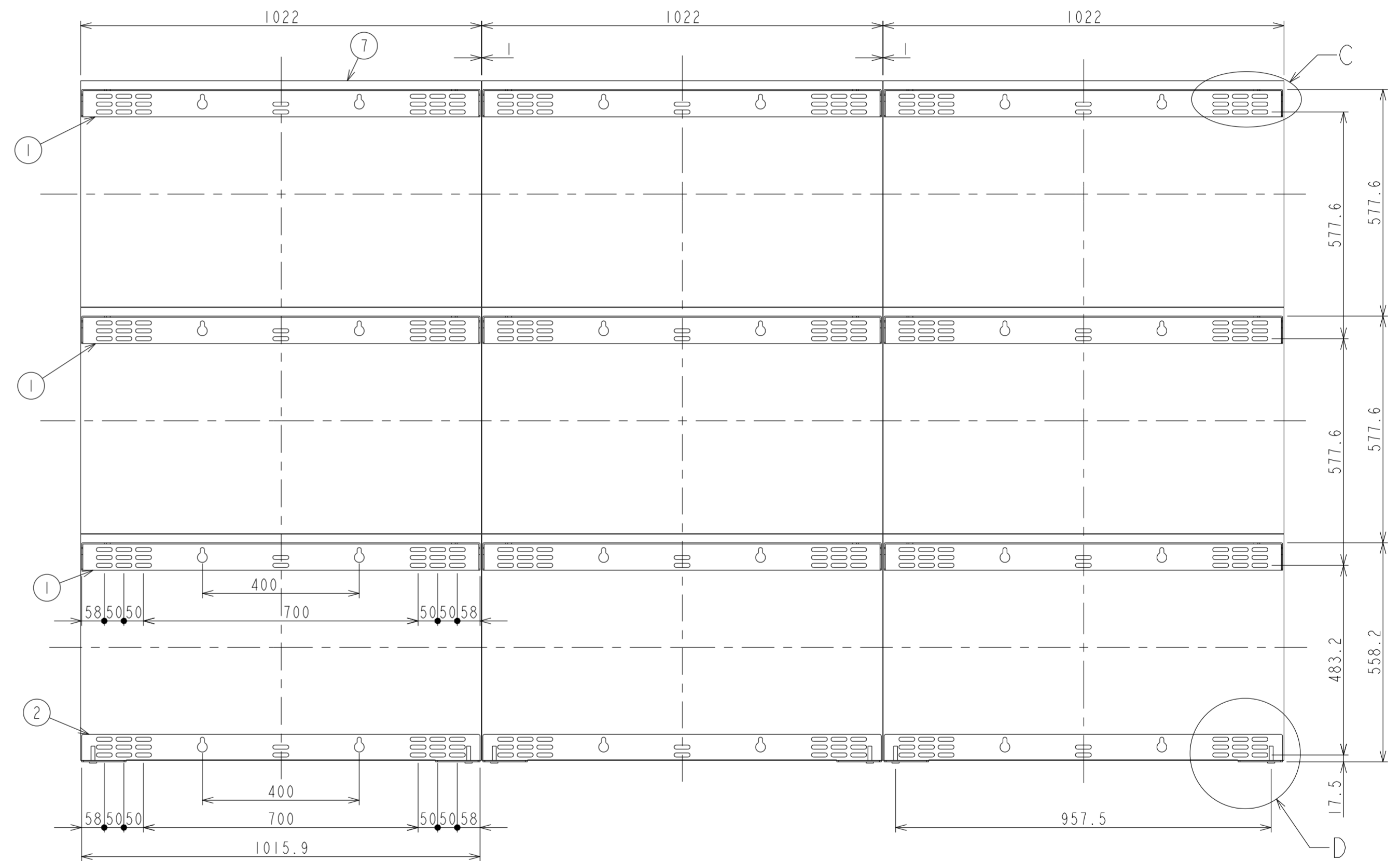
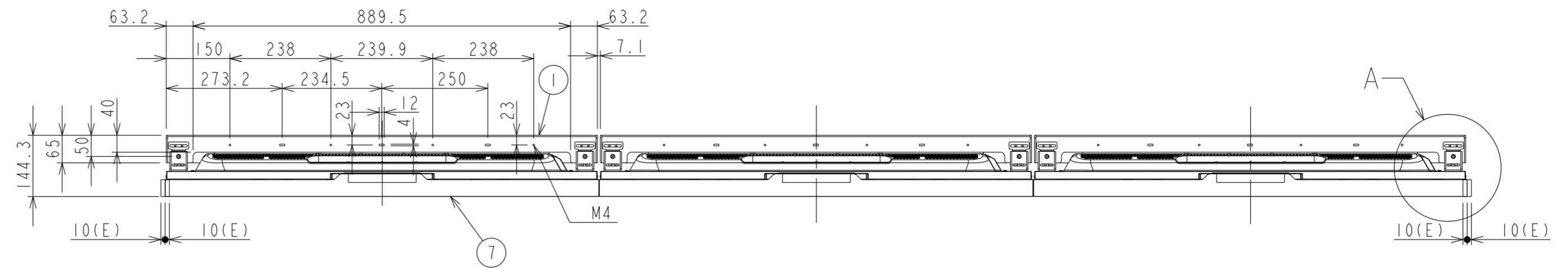
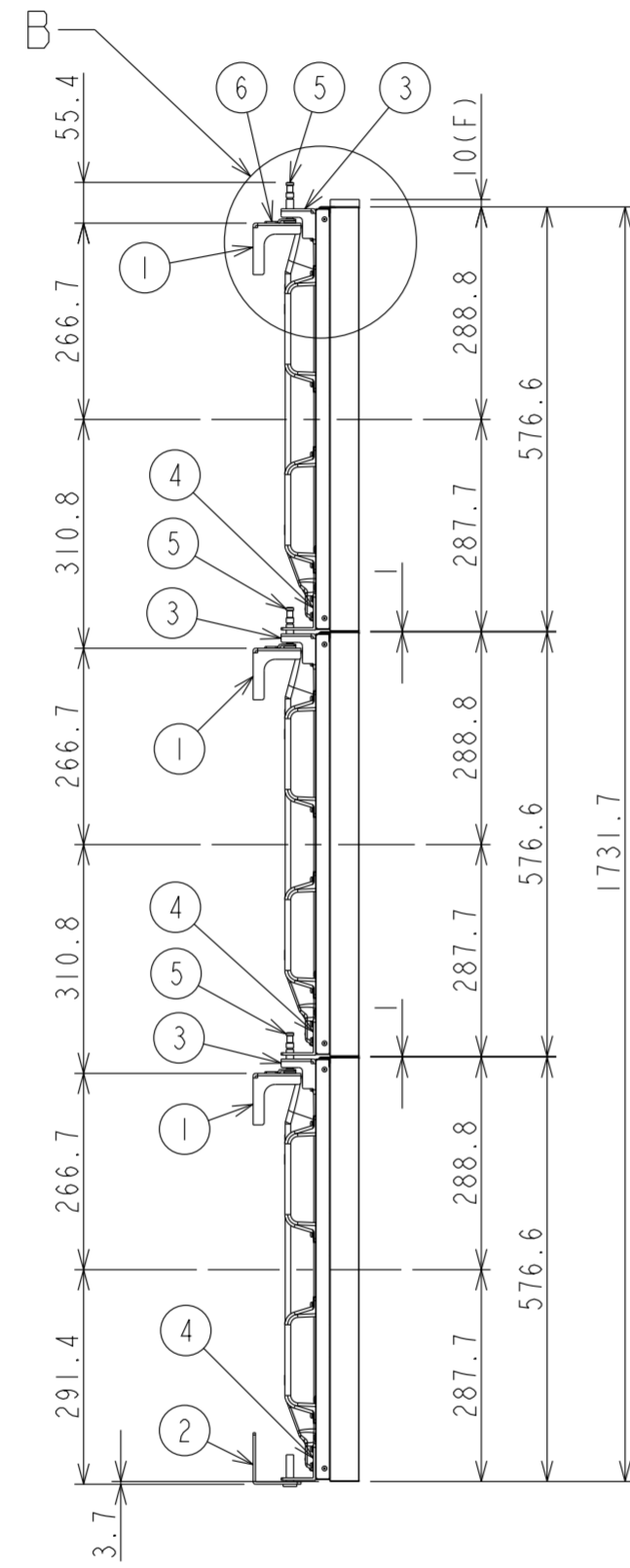
DETAIL of B



DETAIL of C



DETAIL of D



- 1) This monitor is not symmetrical. Center line shows image center.
- 2) Dimension (E) shows adjustable range of horizontally. Dimension (F) shows adjustable range of vertically.
- 3) Monitor position is shown bottom end in adjustable range.

- Parts
- ① Wall bracket (top)
  - ② Wall bracket (bottom)
  - ③ Monitor bracket (top)
  - ④ Monitor bracket (bottom)
  - ⑤ Adjuster pin
  - ⑥ Stopper
  - ⑦ Monitor

UNIT	mm
SCALE	1/10
MODEL	UN462VA with WM-46UN-L3
NEC Display Solutions 2018/12/14	