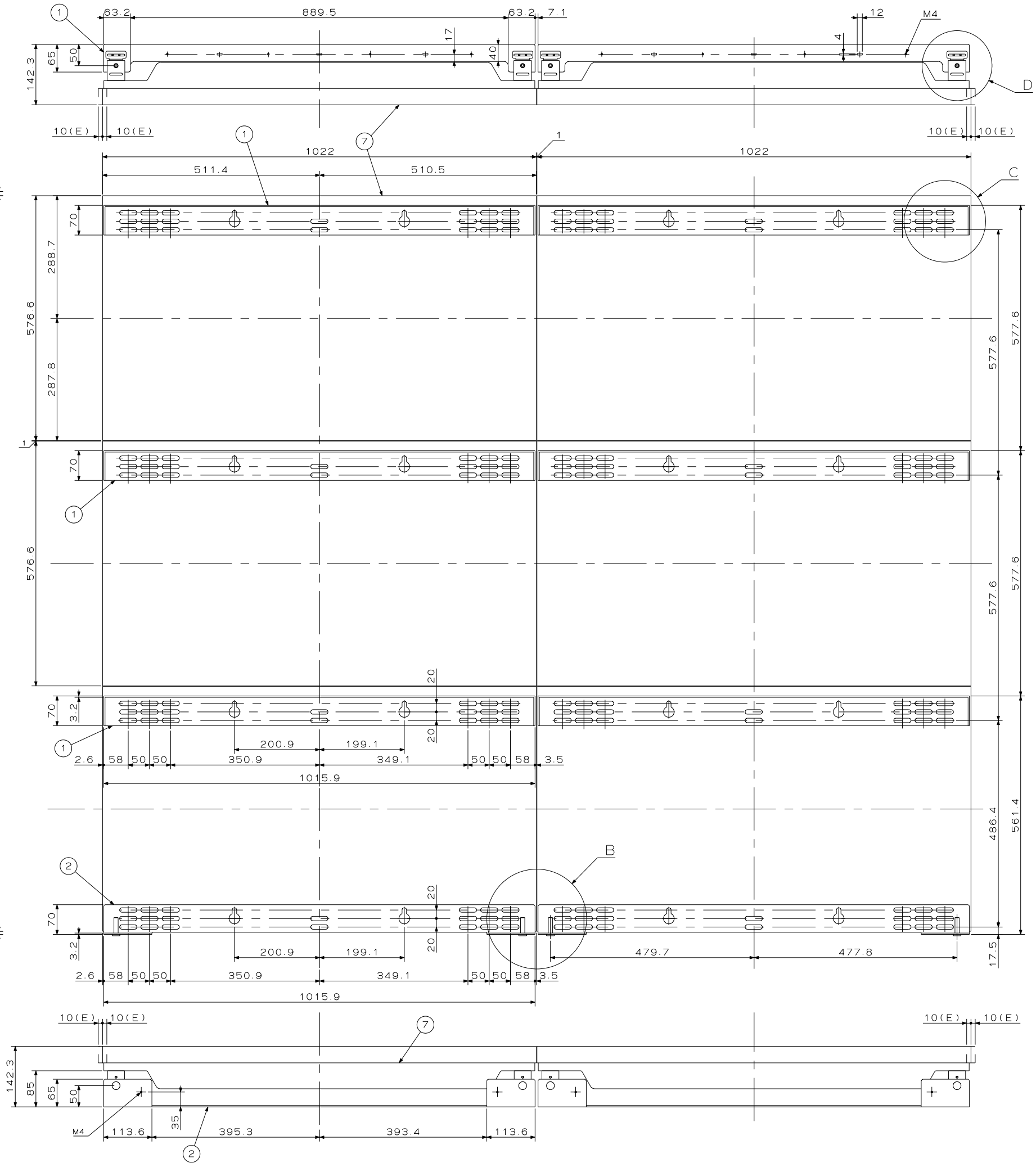
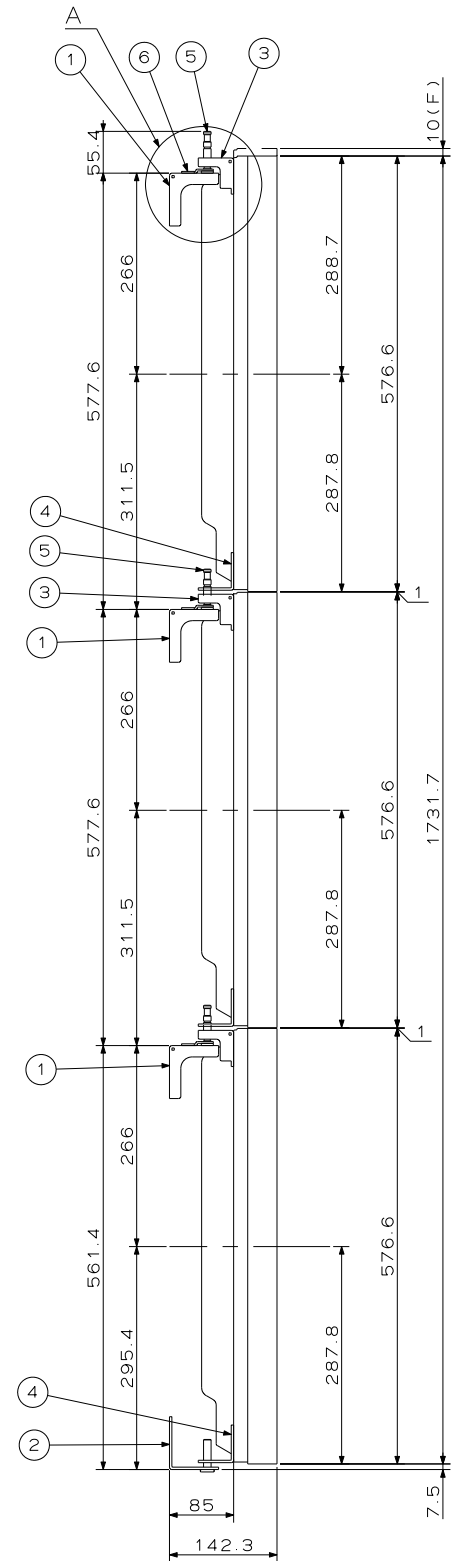
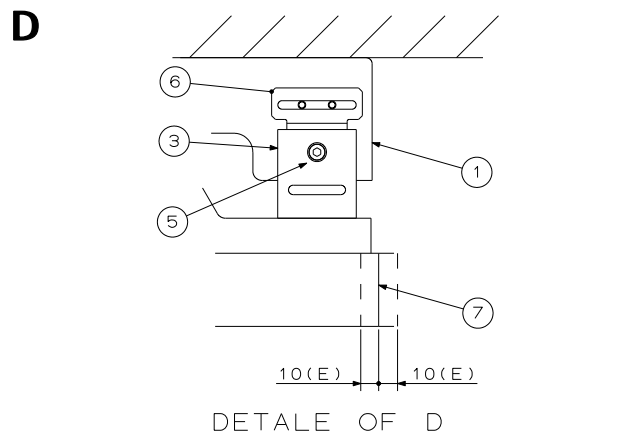
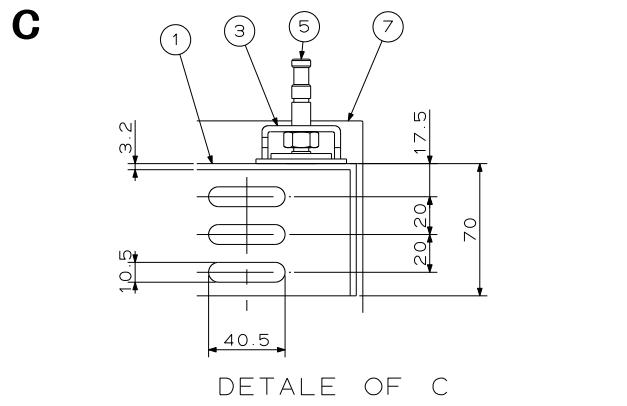
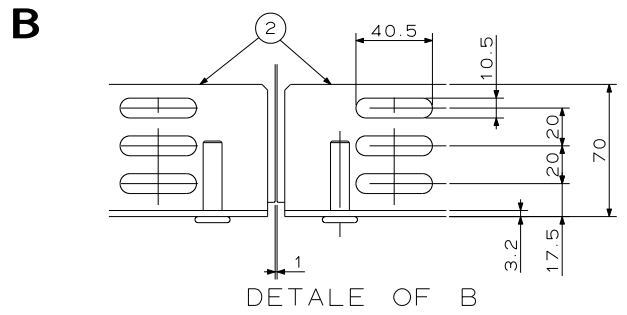
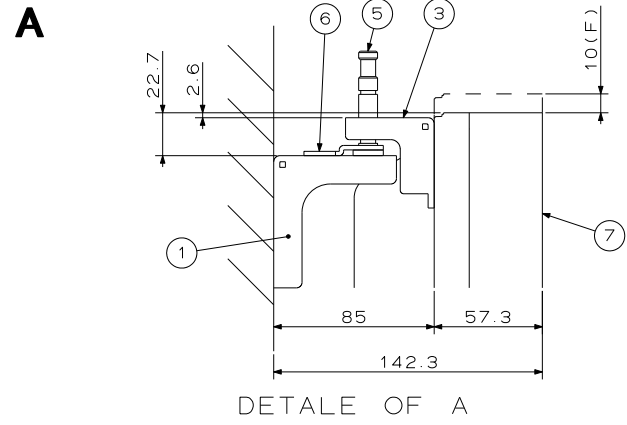


X464UNS with WM-46UN-L3 Installation Drawing



1) This monitor is not symmetrical.
Center line shows image center.
2) Dimension (E) shows adjustable range of horizontally.
Dimension (F) shows adjustable range of vertically.
3) Monitor position is shown bottom end in adjustable range.

Parts
 ⓐ Wall bracket (top)
 ⓑ Wall bracket (bottom)
 ⓒ Monitor bracket (top)
 ⓓ Monitor bracket (bottom)
 ⓔ Adjuster pin
 ⓕ Stopper
 ⓖ Monitor