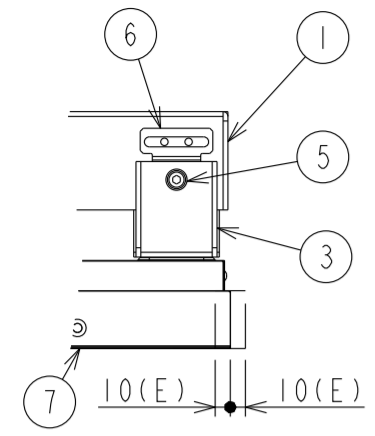
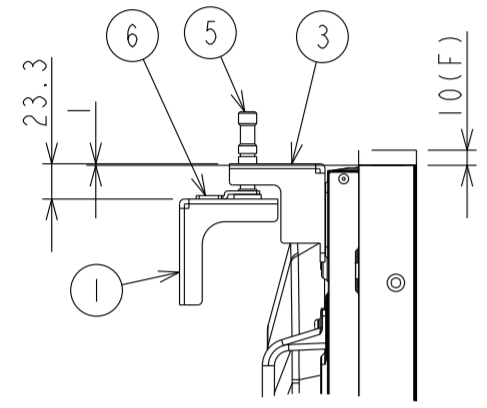


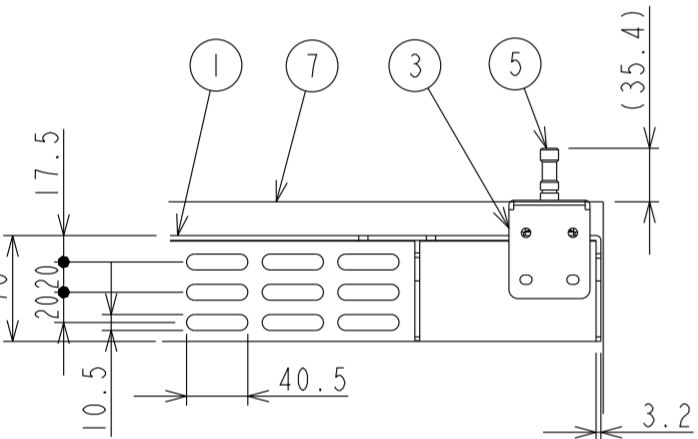
UN552VS with WM-55UN-L Installation Drawing



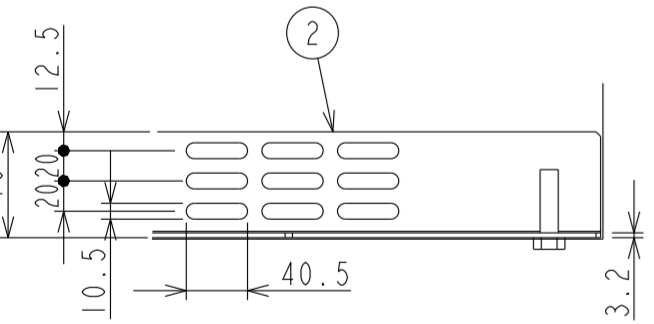
DETAIL of A



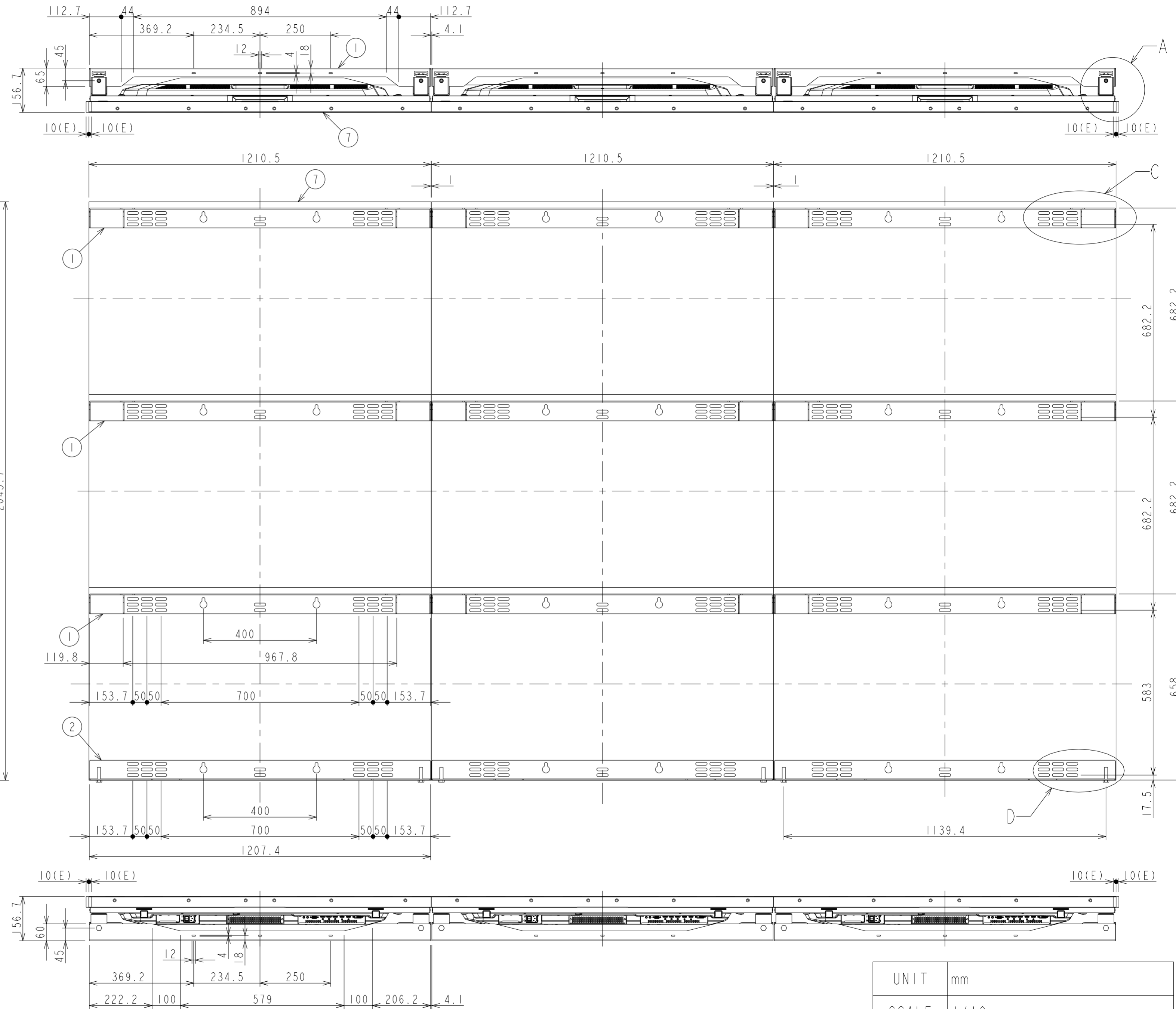
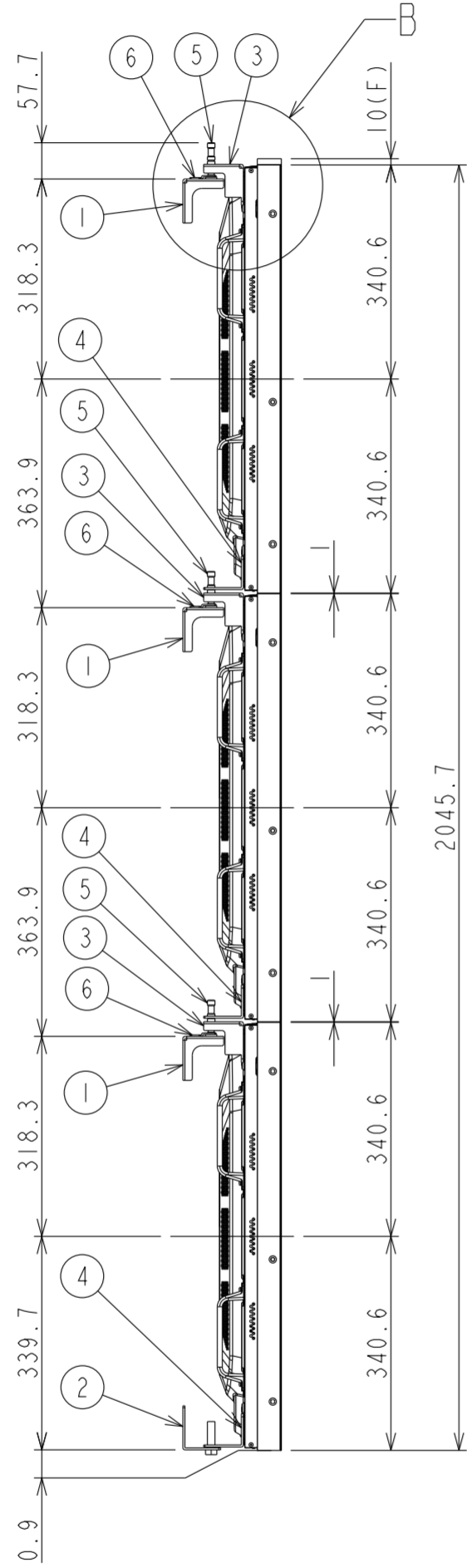
DETAIL of B



DETAIL of C



DETAIL of D



1) Dimension (E) shows adjustable range of horizontally.
Dimension (F) shows adjustable range of vertically.
2) Monitor position is shown bottom end in adjustable range.

- Parts
- ① Wall bracket (top)
 - ② Wall bracket (bottom)
 - ③ Monitor bracket (top)
 - ④ Monitor bracket (bottom)
 - ⑤ Adjuster pin
 - ⑥ Stopper
 - ⑦ Monitor

UNIT	mm
SCALE	1/10
MODEL	UN552VS with WM-55UN-L
NEC Display Solutions 2019/03/08	