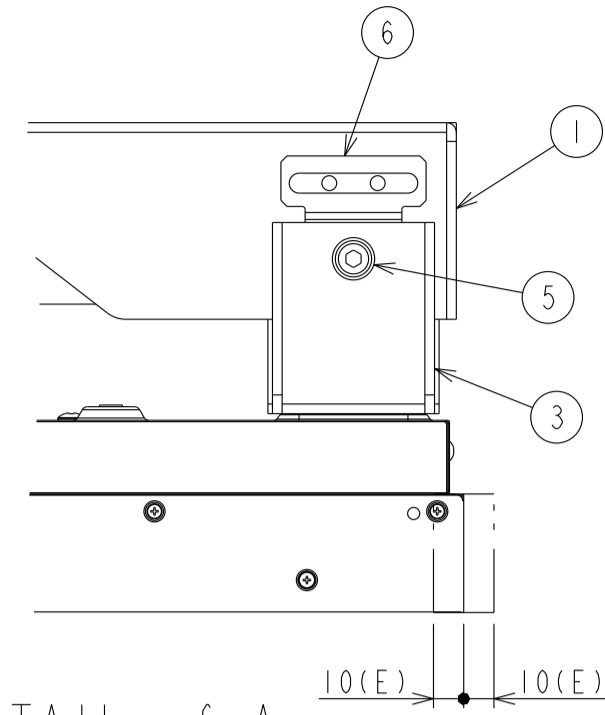
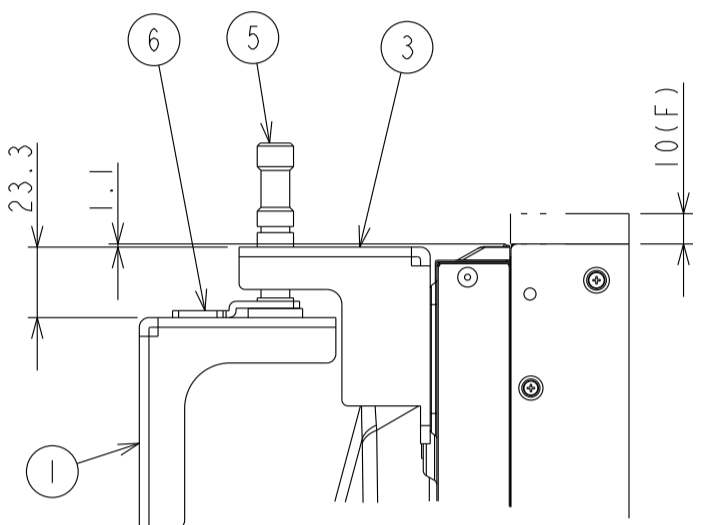


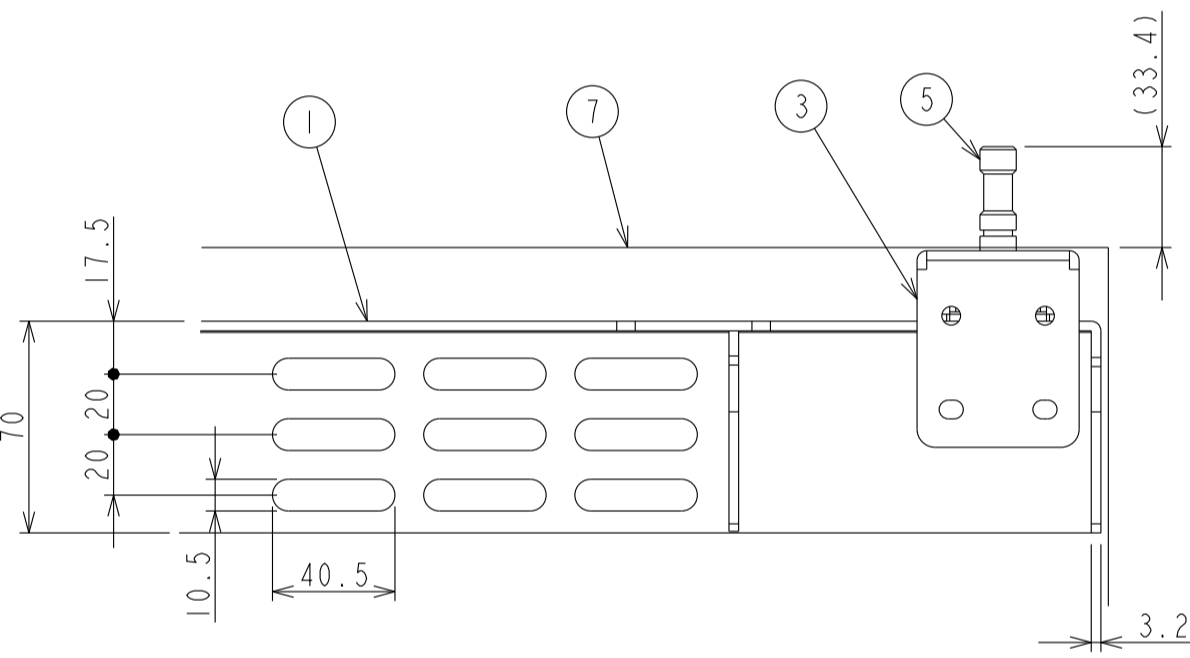
# UN552 with WM-55UN-L Installation Drawing



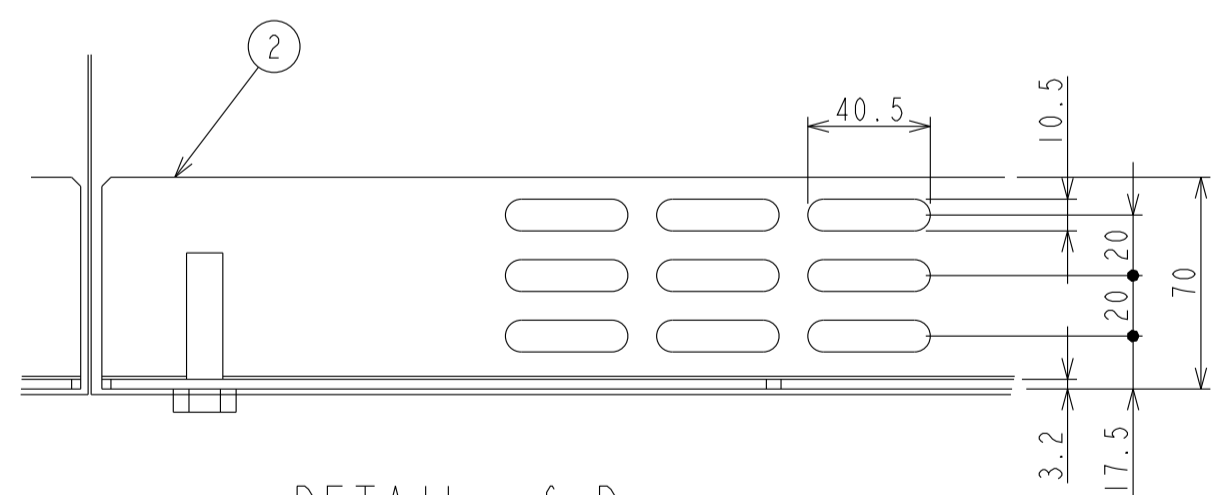
DETAIL of A



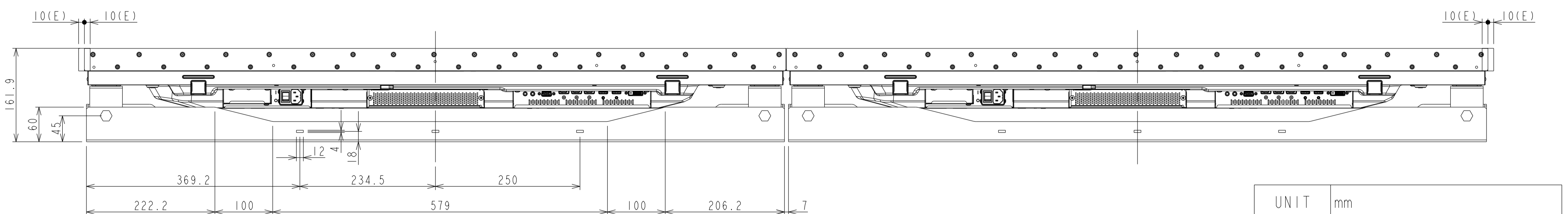
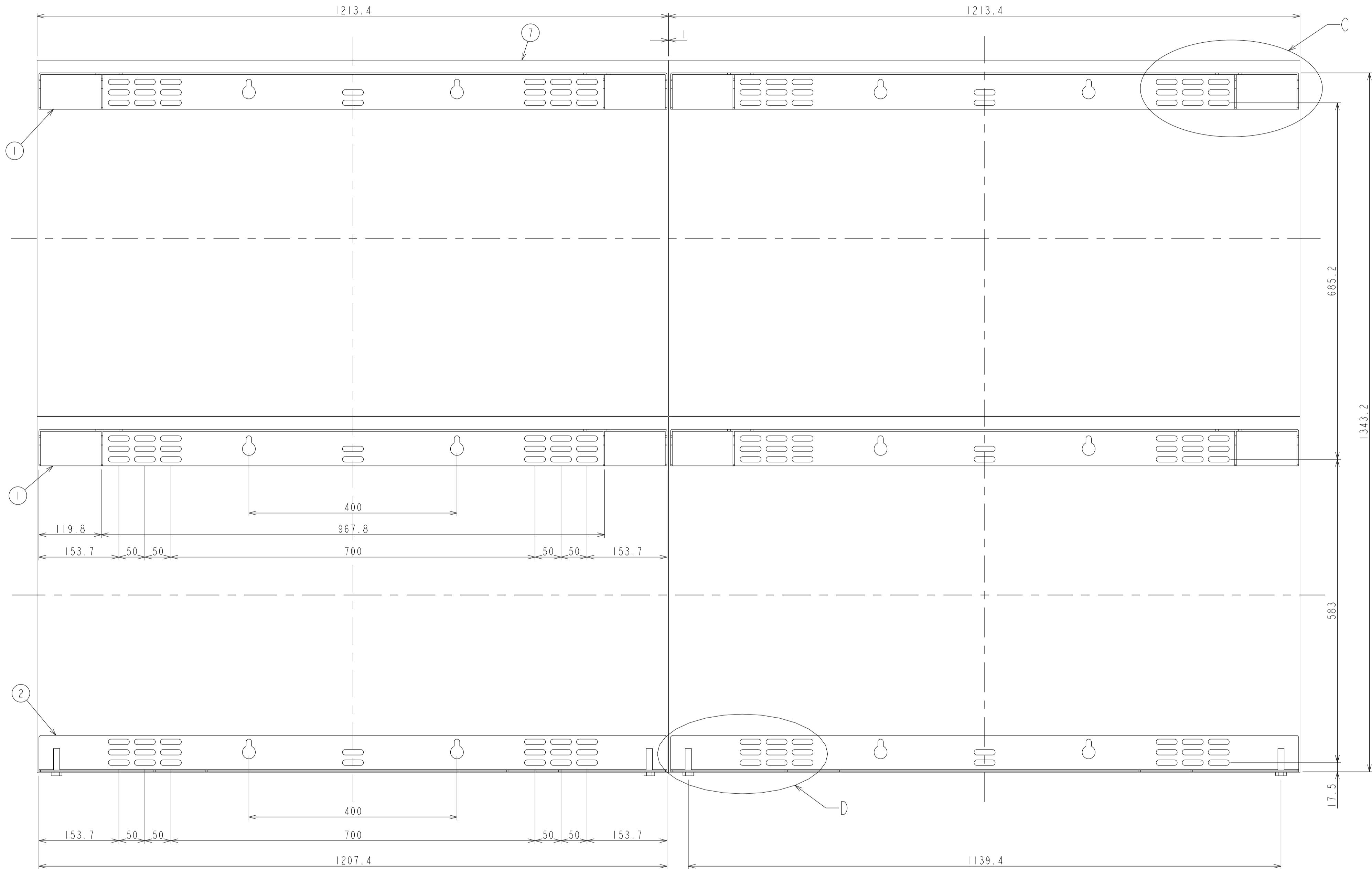
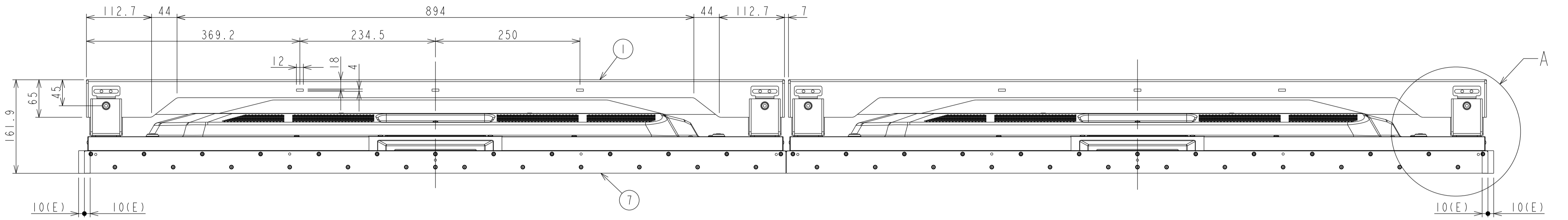
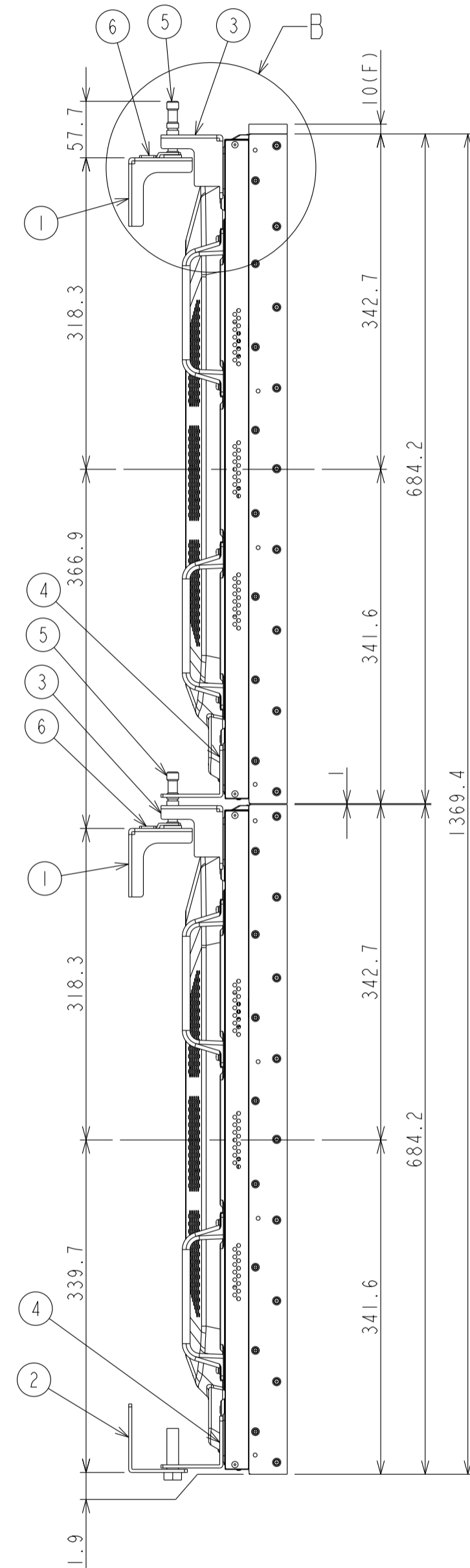
DETAIL of B



DETAIL of C



DETAIL of D



- 1) This monitor is not symmetrical. Center line shows image center.
- 2) Dimension (E) shows adjustable range of horizontally. Dimension (F) shows adjustable range of vertically.
- 3) Monitor position is shown bottom end in adjustable range.

## Parts

- ① Wall bracket (top)
- ② Wall bracket (bottom)
- ③ Monitor bracket (top)
- ④ Monitor bracket (bottom)
- ⑤ Adjuster pin
- ⑥ Stopper
- ⑦ Monitor

UNIT	mm
SCALE	1/5
MODEL	UN552 with WM-55UN-L
NEC Display Solutions 2019/05/17	