

**Athlon4 Firmware Update Procedure by USB Memory
(FIRMWARE1/FIRMWARE2/FIRMWARE3/FIRMWARE4)**

Rev.3.0

Read This Manual Before Attempting Firmware Update

This manual describes the procedure for updating firmware of monitor by a USB memory stick. For details on the component names of the monitor, the OSD screen operations, and so on, refer to the instruction manual.

■ Precautions

- Do not disconnect the main power to the monitor or remove the USB memory stick during firmware update.
- The USB port (SERVICE PORT) of the monitor does not support the operation of all USB memory sticks available on the market.
- The monitor supports only USB memory sticks of FAT32 or FAT16 format. A USB memory stick in NTFS format cannot be used. If update fails, check the format of the USB memory stick. For details on how to format the USB memory stick, refer to the Windows Help and so on.
- Updating the firmware does not affect any data set with the OSD screen of the monitor.

■ Symbols

This manual uses the following symbols.

Note

Describes information that must be noted.

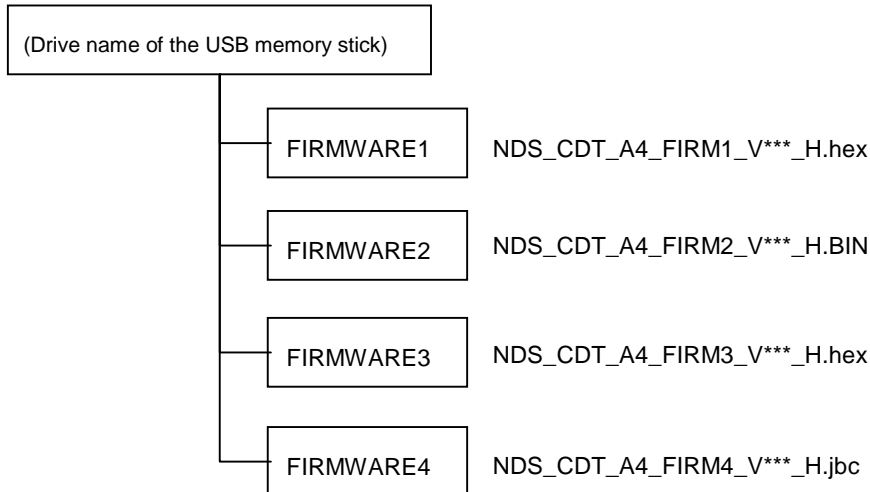
Tip

Provides supplementary explanations and useful information.

Preparations to Be Completed Prior to Firmware Update

1. Copy the firmware image file to the USB memory stick.

Create the following folders (FIRMWARE1, FIRMWARE2, FIRMWARE3, and FIRMWARE4) directly under the USB memory stick root, and then store the firmware image files to them.



Note

Store only one firmware image file in each of the "FIRMWARE1", "FIRMWARE2", "FIRMWARE3", and "FIRMWARE4" folders. If multiple files are stored in any of these, firmware update will fail.

Tip

- The following table lists the initial file names of the firmware image files.

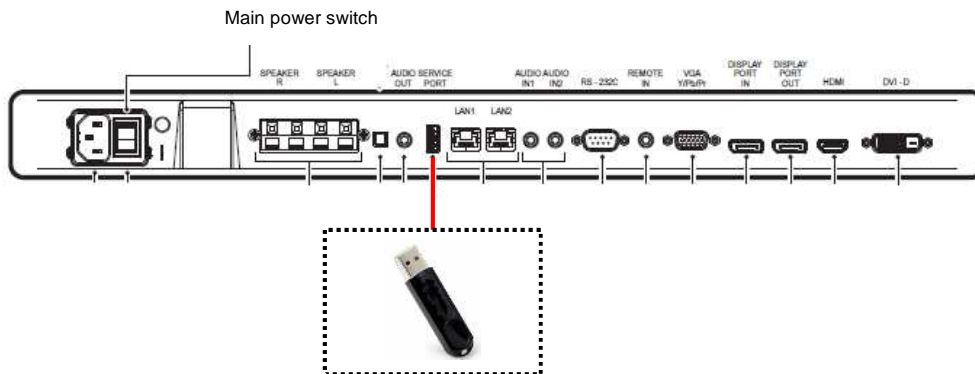
Firmware	File name ^(Note)	Extension
FIRMWARE1	NDS_CDT_A4_FIRM1_V***_H.hex	.hex
FIRMWARE2	NDS_CDT_A4_FIRM2_V***_H.BIN	.BIN
FIRMWARE3	NDS_CDT_A4_FIRM3_V***_H.hex	.hex
FIRMWARE4	NDS_CDT_A4_FIRM4_V***_H.jbc	.jbc

- The names of the firmware image files can be changed (the name can consist of up to 1024 characters, including the extension).
- Do not change the extension of a firmware image file.

2. Turn off the main power to the monitor.

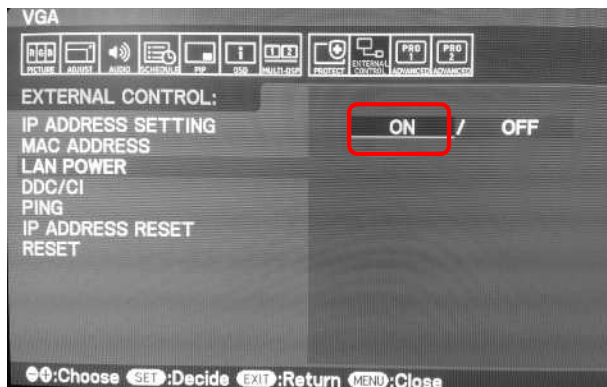
3. Insert the USB memory stick containing the firmware image files into the monitor.

Insert the USB memory stick into the USB port (SERVICE PORT) of the monitor.



4. Select the LAN POWER "ON" in the screen menu of monitor.

To update the firmware, select LAN POWER "ON" in the screen menu.



This completes the preparation required for firmware update.

Subsequently, go to "Updating Firmware" (P5).

Updating Firmware

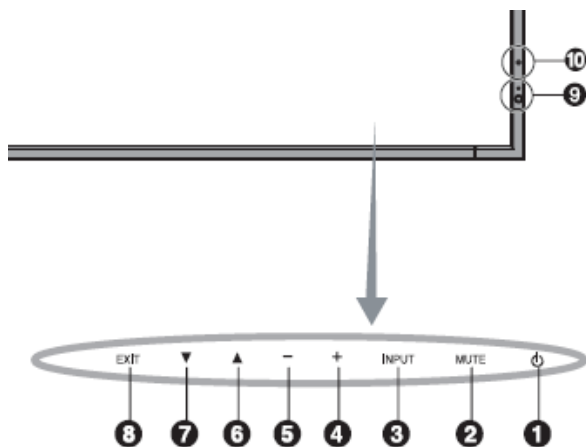
Note

Do not turn off the main power to the monitor or remove the USB memory stick during firmware update.

1. Turn on the main power to the monitor while holding down the button on the rear of the monitor.

The following table lists all the button combinations.

Firmware	Button combinations
FIRMWARE1	[EXIT] button and [] button (+)
FIRMWARE2	[EXIT] button and [+] button (+)
FIRMWARE3	[MUTE] button and [INPUT] button (+)
FIRMWARE4	[EXIT] button and [INPUT] button (+)



2. When the LED on the monitor blinks in green, release the button.

Firmware update starts. During update, the LED blinks in green.

Upon the completion of update, the blinking pattern of the LED changes. Go to step 3.

3. Confirm the LED blinking pattern of the monitor.

Upon the completion of update, the green-blinking LED changes to one of the following.

When the LED is blinking in green and red alternately (update successful):

After completing step 5, refer to "Confirming the Firmware Version" (P7) to confirm that update has completed normally.

When the LED is blinking in red (update failure):

Turn off the main power to the monitor and then repeat the procedure again from step 1 (P5) in "Updating Firmware". Moreover, refer to "If Firmware Update Fails" (P8).

4. Turn off the main power to the monitor.

5. Remove the USB memory stick from the monitor.

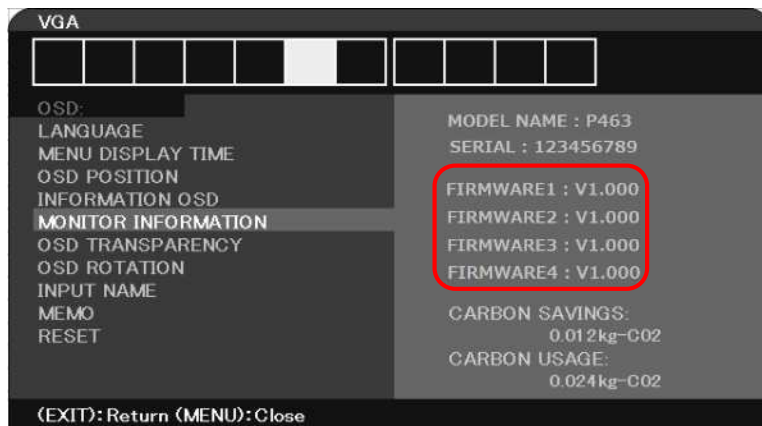
This completes the firmware update.

6. Change the LAN POWER in the screen menu of monitor as required.

If the LAN POWER is "ON" before firmware update is executed, return this to its original setting as required.

Confirming the Firmware Version

You can confirm the version of the firmware from the menu (MONITOR INFORMATION) of the OSD screen of the monitor. Confirm that the versions of the updated firmware match those displayed on the OSD screen.



If Firmware Update Fails

If firmware update fails, check the following.

- The monitor fails to operate even if its power is turned on.

The monitor does not run when the main power is turned on after FIRMWARE1 update fails. The update function of the USB memory stick, however, can run. So, redo the FIRMWARE1 update according to the procedure described in this manual.